

R82 Manatee

USD Retail Price List/ Order Form

Account #: _____ Purchase Order No.: _____ Date: _____
 Contact: _____ Mark For: _____

| | |
|-----------------|-----------------|
| Bill To: | Ship To: |
| Address: | Address: |
| City/State/Zip: | |
| Phone: | City/State/Zip: |
| Email | Phone: |

US Configuration

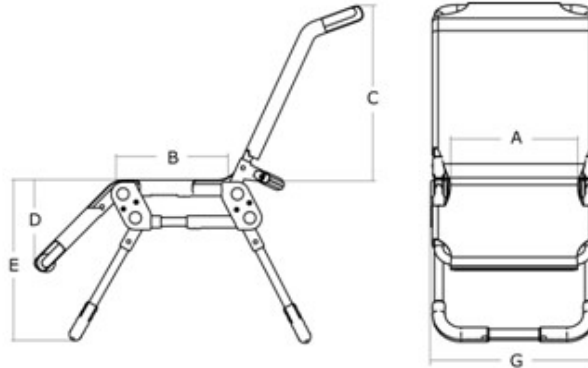
Effective: 05.01.21- Rev 4

- Manatee
- Head support
- Leg belts
- Frame



- A (Back Height) _____
- B (Arm Height) _____
- C (Lower Leg Length) _____
- D (Seat Depth) _____
- E (Chest Width) _____
- F (Seat Width) _____
- G (Height-Seat to Top of Head) _____
- H (Shoulder Width) _____
- Age _____
- Weight _____

Measurements



| Manatee | Size 0 Inches | Size 1 Inches | Size 2 Inches | Size 3 Inches |
|----------------------|--|---|--|---|
| Seat Width (A) | 12 ³ / ₄ " | 12 ³ / ₄ " | 12 ³ / ₄ " | 15 ¹ / ₂ " |
| Seat Depth (B) | 8 ¹ / ₂ - 9 ³ / ₄ " | 11 ³ / ₄ - 14 ¹ / ₂ " | 15 ¹ / ₄ - 18" | 15 ¹ / ₂ "-18 ¹ / ₄ " |
| Back Height (C) | 16 ³ / ₄ " | 16 ³ / ₄ " | 22 ¹ / ₂ " | 25" |
| Lower Leg Length (D) | 11" | 11" | 13 ¹ / ₄ " | 13 ¹ / ₄ " |
| Seat Height (E) | 5 ¹ / ₂ - 16 ³ / ₄ " | 5 ¹ / ₂ - 16 ³ / ₄ " | 5 ¹ / ₂ - 16 ³ / ₄ " | 5 ¹ / ₂ -16 ³ / ₄ " |
| Total Width (G) | 16 ¹ / ₂ " | 16 ¹ / ₂ " | 16 ¹ / ₂ " | 19" |
| Length Folded | "40 - 43" | 43 - 45 ³ / ₄ " | 53 - 55 ³ / ₄ " | 56-58 ³ / ₄ " |
| Height Folded | 5" | 5" | 5" | 5" |
| Weight | 12 lbs. | 12 lbs. | 13.25 lbs. | 15 ¹ / ₂ " |
| Max. Load | 110 lbs. | 110 lbs. | 165 lbs. | 165 lbs. |

Measurements

| Frames | Shower Frame | Bath Tub Frame |
|-----------------------|------------------|----------------|
| Width | 23" | 17" |
| Length | 38¼" | 28½ - 43¼" |
| Height, Seat to Floor | 29½", 32½", 35½" | 25½" |
| Storage Height | 8" | 10½" |
| Weight | 17½ lbs. | 4½ lbs. |
| Max. Load | 165 lbs. | 165 lbs. |

Manatee Standard Features



- Manatee comes in 4 sizes; 0, 1, 2 or 3
- Head/Lateral Support
- Height Adjustable Foldable Frame
- Cover in Red or Blue Soft Nylon
- Belt for Waist/Hip
- HCPCS n/a for Manatee

| Description | Size | Part No. | USD Price |
|-------------|------|----------|-----------|
|-------------|------|----------|-----------|

Required, must select a color

X = Color

Blue = 5

Red = 4

Manatee, Blue *

Manatee

Manatee

Manatee

* Size 0 is only available in Blue

| | | | |
|--|---|--------|-------|
| | 0 | 882005 | \$718 |
| | 1 | 88201X | \$718 |
| | 2 | 88202X | \$718 |
| | 3 | 88203X | \$784 |

| Frame | Description | Size | Part No. | USD Price |
|-------|-------------|------|----------|-----------|
|-------|-------------|------|----------|-----------|



Basic Manatee Frame

One Size

882101

\$359



Rolling Shower Frame

One Size

882100

\$728

Wall Mount for Frame

One Size

882110

\$159

Required, must select a color

X = Color

Blue = 5

Red = 4

Net for Frame *

One Size

88210X

\$73

*Custom order; Approx. lead time: 6-8 weeks

IMPORTANT: No returns or exchanges accepted for this product

| Frame | Description | Size | Part No. | USD Price |
|-------|-------------|------|----------|-----------|
|-------|-------------|------|----------|-----------|



Tub Slider without Manatee w/ Casters (W: 50") *

1, 2

MC6000PED

\$3,347

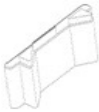



Tub Slider without Manatee w/ Casters (W: 50")


3

MC6200PED

\$3,347

*Custom order; Approx. lead time: 6-8 weeks. Non-returnable item

| Accessories | Description | Measurements | Size | Part No. | USD Price |
|---|--|--------------|---------|----------|-----------|
| | Required, must select a color | | | | |
| | X = Color | | | | |
| | <input type="checkbox"/> Blue = 5 | | | | |
| | <input type="checkbox"/> Red = 4 | | | | |
|  | <input type="checkbox"/> Head/Lateral Support | | 0, 1, 2 | 88301X | \$113 |
| | <input type="checkbox"/> Head/Lateral Support | | 3 | 88306X | \$113 |
|  | <input type="checkbox"/> Torso Belt | | 0, 1, 2 | 88302X | \$79 |
| | <input type="checkbox"/> Torso Belt | | 3 | 88307X | \$79 |
|  | <input type="checkbox"/> Leg Straps | | 0, 1, 2 | 88305X | \$79 |
| | <input type="checkbox"/> Leg Straps | | 3 | 88310X | \$99 |
|  | <input type="checkbox"/> Pommel | | 0, 1, 2 | 88304X | \$99 |
| | <input type="checkbox"/> Pommel * | | 3 | 88309X | \$99 |
| | <i>*Pommel sz 3 in RED is a custom order; Approx. lead time: 6-8 weeks</i> | | | | |

| Spare Parts | Description | Measurements | Size | Part No. | USD Price |
|---|---|--------------|---------|----------|-----------|
|  | <input type="checkbox"/> Belt for Waist/Hip | | 0, 1, 2 | 88303X | \$79 |
| | <input type="checkbox"/> Belt for Waist/Hip | | 3 | 88308X | \$79 |
| | Required, must select a color | | | | |
| | X = Color | | | | |
| | <input type="checkbox"/> Blue = 5 | | | | |
| | <input type="checkbox"/> Red = 4 | | | | |
| | <input type="checkbox"/> Cover * | | 0 | 882205 | \$261 |
| | <input type="checkbox"/> Cover | | 1 | 88221X | \$261 |
| | <input type="checkbox"/> Cover | | 2 | 88222X | \$261 |
| | <input type="checkbox"/> Cover | | 3 | 88223X | \$261 |
| | <i>* Size 0 is only available in Blue</i> | | | | |

IMPORTANT: No returns or exchanges accepted for this product

Prices in USD & is subject to change without notice

For Quotes and Orders please send completed Order Form to: sales.us@etac.com or fax: 1-800-760-0537

OF5600-ENG-REV.04

Etac
13137 Bleinheim Lane
Matthews, North Carolina 28105
+1 844-US-MOBILITY (844-876-6245)
www.etac.us.com


Creating Possibilities