

# Convoid Trekker - HCPCS E1234

## Retail Price List / Order Form

Account #: \_\_\_\_\_

Purchase Order #: \_\_\_\_\_

Date: \_\_\_\_\_

Contact: \_\_\_\_\_ ATP/RTS: \_\_\_\_\_

Mark For: \_\_\_\_\_

Bill To:	Ship To:
Address:	Address:
City/State/Zip:	
Phone:	City/State/Zip:
Email:	Phone:

### Trekker Standard Features:

- **TR14 Base Accepts TR12 & TR14 Seating**
- Tilt-in-Space (-10° to +45°)
- 180° Reversible Seating Configuration
- 90° Fixed Front Rigging
- Single Foot Activated Wheel Lock Bar
- 7.5" x 2" Front and 11.5" x 2.5" Rear Solid Tires
- One Piece Height Adjustable Push Handle (Inside Mount)
- Silver Powder Coated Frame
- 90° Fixed Footplate
- Quick Release Rear Wheels
- Seat to Back Angle (80° to 110°)
- Depth Adjustable Seat Pan
- Made in the USA

#### Standard Models:

- Trekker Seat Module - C904768
- Trekker Standard Base - C904661

**Price**  
**\$1,578**  
**\$920**

### Trekker Seating Module

- Trekker Seat Width 12"
- Trekker Seat Width 14"
- Transit Option (Manufacturer Installation Required)

#### Back Module Options - Select one below:

- Back Canes Only<sup>1</sup>
- Height Adjustable Solid Back (Back Height Adjustment Range TR12: 9" - 17"/TR14: 17" - 26")<sup>1</sup>

#### Seating Module Options (See chart on last page of order form):

- TR12 Seat Depth Position 1
- TR12 Seat Depth Position 2
- TR12 Seat Depth Position 3
- TR14 Seat Depth Position 4

#### Height Adjustable Solid Back Options

- Recline System (80 to 170 degrees) (Manufacturer Installation Required)
- Comfort Wings Assembly (LH) (Standard with TR12 Back Pan)
- Comfort Wings Assembly (RH) (Required with TR12 Back Pan)

#### Upholstery Color:

- Panther Black
- Royal Blue
- Chocolate Brown
- Forest Green
- Sassy Purple
- Princess Pink
- Cherry Red
- Aqua Blue
- Apple Green

#### Back Cushion:\*\*

- Snuggle Upholstery Back Cushion - Short (TR12: 12x18)/(TR14: 14x22)
- Snuggle Upholstery Back Cushion - Tall (14: 14x26)

#### Extra Back Cushion Options\*

- Lumbar Support

#### Contoured Seat Cushion\*\*

- Snuggle Contoured Seat Cushion - Short Cordura (TR12: 12x11) / (TR14: 14x13)
- Snuggle Contoured Seat Cushion - Long Cordura (TR12: 12x14) / (TR14: 14x16)
- Snuggle Contoured Seat Cushion - Short Spacer Fabric (TR12: 12x11) / (TR14: 14x13)
- Snuggle Contoured Seat Cushion - Long Spacer Fabric (TR12: 12x14) / (TR14: 14x16)

#### Planar Seat Cushion\*\*

- Snuggle Planar Seat Cushion - Short Cordura (TR12: 12x12) / (TR14: 14x14)
- Snuggle Planar Seat Cushion - Long Cordura (TR12: 12x15) / (TR14: 14x17)
- Snuggle Planar Seat Cushion - Short Spacer Fabric (TR12: 12x12) / (TR14: 14x14)
- Snuggle Planar Seat Cushion - Long Spacer Fabric (TR12: 12x15) / (TR14: 14x17)

**Price**      **HCPCS**

N/C  
N/C  
**\$209**      **K0108**  
  
N/C  
**\$547**      **E2293**  
  
\$0  
\$0  
\$0  
\$0  
  
**\$501**      **E1226**  
N/C  
N/C  
  
N/C  
N/C  
N/C  
N/C  
N/C  
N/C  
N/C  
N/C  
N/C  
N/C  
  
N/C  
N/C  
  
\$37      **K0108**  
  
**\$339**      **E2294**  
**\$339**      **E2294**  
**\$339**      **E2294**  
**\$339**      **E2294**  
  
**\$307**      **E2292**  
**\$307**      **E2292**  
**\$307**      **E2292**  
**\$307**      **E2292**

**TR12**      **TR14**

C905515	
	C905516
C904576	C904576
C508446	C508447
C904662	C904663
C905354	C905357
C905355	C905358
C905356	C905359
	C905360
C905053	C905053
C904617	
C904618	
C903854	C903854
C903850	C903850
C904189	C904189
C903857	C903857
C903851	C903851
C903759	C903759
C903855	C903855
C904753	C904753
C904754	C904754
C904696	C904698
	C904699
904664	
C905414	C904781
C905415	C904783
C904780	C904782
C905429	C905430
C905412	C904710
C905413	C904711
C904708	C905425
C904709	C905426

<sup>1</sup>Manufacturer Installation Required.

<sup>^</sup>Requires Head Support and Pelvic Positioning Belt.

<sup>2</sup>Fast tab is only added to Cushion if 3-Pt Belt is added. New Cushion is required if 3-Pt Belt is added after-market.

\*All seat cushions must have fast tab for aftermarket 3-Pt Belt and H-Harness.

\*\*Back cushion dimensions are seat pan to top of back pan.

	<u>Price</u>	<u>HCPCS</u>
<b>Head Supports</b>		
<input type="checkbox"/> Height Adjustable Curved Head Support****	\$235	E0955
<input type="checkbox"/> Adjustable Wing Head Support****	\$277	E0955
<input type="checkbox"/> Integrated Adj Head Support Assembly (TR12 Only)	\$70	E0955
<b>Anatomic Headrest with Cover by R82 (Requires Headrest Universal Mount &amp; Swing-Away Mounting Bracket)</b>		
<input type="checkbox"/> Small	\$266	E0955
<input type="checkbox"/> Medium	\$266	E0955
<input type="checkbox"/> Large	\$266	E0955
<b>Swing-Away Mounting Bracket - Height, Depth, Angle &amp; Lateral Adjustable by R82</b>		
<input type="checkbox"/> Turtle Neck Bar System, Short	\$240	E1028
<input type="checkbox"/> Turtle Neck Bar System, Long	\$240	E1028
<b>R82 Adjustable Width Headrest, Dynamic - Long (Requires Headrest Universal Mount &amp; Swing-away Mounting Bracket)</b>		
<input type="checkbox"/> Adjustable Width Headrest Large Laterals w/Speakers, Dynamic, Black Cover - Long	\$501	E0955
<input type="checkbox"/> Adjustable Width Headrest, Large Laterals, Dynamic, Black Cover - Long	\$402	E0955
<input type="checkbox"/> Adjustable Width Headrest Two Laterals, Dynamic, Black Cover - Long	\$402	E0955
<input type="checkbox"/> Adjustable Width Headrest Four Laterals, Dynamic, Black Cover - Long	\$402	E0955
<b>R82 Adjustable Width Headrest, Dynamic - Short (Requires Headrest Universal Mount &amp; Swing-away Mounting Bracket)</b>		
<input type="checkbox"/> Adjustable Width Headrest Large Laterals w/Speakers, Dynamic, Black Cover - Short	\$501	E0955
<input type="checkbox"/> Adjustable Width Headrest, Large Laterals, Dynamic, Black Cover - Short	\$402	E0955
<input type="checkbox"/> Adjustable Width Headrest Two Laterals, Dynamic, Black Cover - Short	\$402	E0955
<input type="checkbox"/> Adjustable Width Headrest Four Laterals, Dynamic, Black Cover - Short	\$402	E0955
<b>R82 Adjustable Width Headrest, Non-Dynamic - Long (Requires Headrest Universal Mount &amp; Swing-away Mounting Bracket)</b>		
<input type="checkbox"/> Adjustable Width Headrest Large Laterals w/Speakers, Non-Dynamic, Black Cover - Long	\$422	E0955
<input type="checkbox"/> Adjustable Width Headrest, Large Laterals, Non-Dynamic, Black Cover - Long	\$318	E0955
<input type="checkbox"/> Adjustable Width Headrest Two Laterals, Non-Dynamic, Black Cover - Long	\$318	E0955
<input type="checkbox"/> Adjustable Width Headrest Four Laterals, Non-Dynamic, Black Cover - Long	\$318	E0955
<b>R82 Adjustable Width Headrest, Non-Dynamic - Short (Requires Headrest Universal Mount &amp; Swing-away Mounting Bracket)</b>		
<input type="checkbox"/> Adjustable Width Headrest Large Laterals w/Speakers, Non-Dynamic, Black Cover - Short	\$422	E0955
<input type="checkbox"/> Adjustable Width Headrest, Large Laterals, Non-Dynamic, Black Cover - Short	\$318	E0955
<input type="checkbox"/> Adjustable Width Headrest Two Laterals, Non-Dynamic, Black Cover - Short	\$318	E0955
<input type="checkbox"/> Adjustable Width Headrest Four Laterals, Non-Dynamic, Black Cover - Short	\$318	E0955
<input type="checkbox"/> Headrest Universal Mount (R82 Compatible) (Accommodates most manufacturer's head supports)****	\$57	K0108

\*\*\*\*Requires the Height Adjustable Solid Back System.

TR12	TR14
C904607	C904607
C904608	C904608
C904615	C904615
C904950	C904950
C904951	C904951
C904952	C904952
C904948	C904948
C904947	C904947
C905282	C905282
C905173	C905173
C905288	C905288
C905174	C905174
C905284	C905284
C905286	C905286
C905175	C905175
C905290	C905290
C905281	C905281
C905170	C905170
C905289	C905289
C905291	C905291
C905285	C905285
C905287	C905287
C905172	C905172
C905171	C905171
C904946	C904946

	<u>Price</u>	<u>HCPCS</u>
<b>Trunk Positioning</b>		
<input type="checkbox"/> H-Harness w/ Padded Covers^^	\$135	E0960
<b>Neoprene Vest by R82 (Hardware Required)</b>		
<input type="checkbox"/> LT Shoulder to RT Hip: 7.75" - 10.75" (Size XS)	\$209	E0960
<input type="checkbox"/> LT Shoulder to RT Hip: 10.75" - 12.5" (Size S)	\$209	E0960
<input type="checkbox"/> LT Shoulder to RT Hip: 12.5" - 16" (Size M)	\$209	E0960
<input type="checkbox"/> LT Shoulder to RT Hip: 16" - 18.5" (Size L)	\$209	E0960
<input type="checkbox"/> LT Shoulder to RT Hip: 18.5" - 20.5" (Size XL)	\$209	E0960
<input type="checkbox"/> LT Shoulder to RT Hip: 20.5" - 23.5" (Size XXL)	\$209	E0960
<input type="checkbox"/> Camlock Kit for Vest (Required for Vest)	N/C	
<b>Chest Belt, Upholstered by R82 (Hardware Required)</b>		
<input type="checkbox"/> W: 11.25" x D:7.5" x H: 9.25-12" (Size 1)	\$282	E0960
<input type="checkbox"/> W: 14" X D: 10.25" X H: 10.25-12.75" (Size 2)	\$282	E0960
<input type="checkbox"/> W: 16.25" X D: 12.5" X H: 10.25-12.75" (Size 3)	\$282	E0960
<input type="checkbox"/> W: 20.25" X D: 16" X H: 11.25-14.5" (Size 4)	\$282	E0960
<input type="checkbox"/> Camlock Kit for Vest (Required for Vest)	N/C	
<b>Cross Vest by R82 (Hardware Required)</b>		
<input type="checkbox"/> LT Shoulder to RT Hip: 7.75" - 12.5" (Size XS)	\$198	E0960
<input type="checkbox"/> LT Shoulder to RT Hip: 10.25" - 13.5" (Size S)	\$198	E0960
<input type="checkbox"/> LT Shoulder to RT Hip: 13.5" - 17.75" (Size M)	\$198	E0960
<input type="checkbox"/> LT Shoulder to RT Hip: 17.75" - 20.75" (Size L)	\$198	E0960
<input type="checkbox"/> LT Shoulder to RT Hip: 20.75" - 24.5" (Size XL)	\$198	E0960
<input type="checkbox"/> Camlock Kit for Vest (Required for Vest)	N/C	
<b>Left - Width, Height Adj. Lateral Thoracic Support - Fixed Laterals</b>		
<input type="checkbox"/> Size 1: 4" (D) x 4.5" (H)****^	\$152	E0956
<input type="checkbox"/> Size 2: 5" (D) x 4.5" (H)****^	\$152	E0956
<input type="checkbox"/> Size 3: 6" (D) x 4.5" (H)****^	\$152	E0956
<b>Right - Width, Height Adj. Lateral Thoracic Support - Fixed Laterals</b>		
<input type="checkbox"/> Size 1: 4" (D) x 4.5" (H)****^	\$152	E0956
<input type="checkbox"/> Size 2: 5" (D) x 4.5" (H)****^	\$152	E0956
<input type="checkbox"/> Size 3: 6" (D) x 4.5" (H)****^	\$152	E0956
<b>Left - Height Adj. Lateral Thoracic Support - Swing Away Laterals</b>		
<input type="checkbox"/> Size 1: 4" (D) x 2.75" (H)*	\$123	E0956
<input type="checkbox"/> Size 2: 5.75" (D) x 4.25" (H)*	\$123	E0956
<input type="checkbox"/> Swing Away Adj. Hardware (Required for S/A Laterals)	\$248	E1028
<b>Right - Height Adj. Lateral Thoracic Support - Swing Away Laterals</b>		
<input type="checkbox"/> Size 1: 4" (D) x 2.75" (H)*	\$123	E0956
<input type="checkbox"/> Size 2: 5.75" (D) x 4.25" (H)*	\$123	E0956
<input type="checkbox"/> Swing Away Adj. Hardware (Required for S/A Laterals)	\$248	E1028
<input type="checkbox"/> 1" Thick Padded Lateral Support Cover	\$52	E0960

\*Pad Size.

^^^Requires the Height Adjustable Solid Back System and 3-Pt Belt.

\*\*\*\*Requires the Height Adjustable Solid Back System.

^Depth of Laterals is reduced by 1" with back upholstery.

TR12	TR14
C904695	C904695
C905476	C905476
C905152	C905152
C905153	C905153
C905154	C905154
C905480	C905480
C905481	C905481
C905394	C905394
C905155	C905155
C905156	C905156
C905157	C905157
C905158	C905158
C905394	C905394
C905176	C905176
C905177	C905177
C905178	C905178
C905179	C905179
C905180	C905180
C905394	C905394
C904760	C904760
C904876	C904876
C904877	C904877
C904761	C904761
C904886	C904886
C904887	C904887
C904864	C904864
C904866	C904866
C904884	C904884
C904865	C904865
C904867	C904867
C904885	C904885
C905411	C905411

	<u>Price</u>	<u>HCPCS</u>	<u>TR12</u>	<u>TR14</u>
<b><u>Pelvic Positioning</u></b>				
<input type="checkbox"/> 2-Point Pelvic Positioning Belt (Size 0)	\$47	E0978	C905386	C905386
<input type="checkbox"/> 3-Pt Positioning Belt (Trekker Seat Cushion Required)	\$51	E0978	C904017	C904017
<b>Transit Options</b>				
<input type="checkbox"/> Q'Straint Transit Lap Belt	\$94	E0978	C903094	C903094
<input type="checkbox"/> Sure-Lok Transit Lap Belt	\$94	E0978	C903232	C903232
<b>4-Point Pelvic Positioning Belt by R82 (Hardware Required)</b>				
<input type="checkbox"/> Hip Width: 6.75" - 12.5" (Size XS)	\$140	K0108	C905148	C905148
<input type="checkbox"/> Hip Width: 8.25" - 13.75" (Size S)	\$140	K0108	C905149	C905149
<input type="checkbox"/> Hip Width: 9.75" - 16.25" (Size M)	\$140	K0108	C905150	C905150
<input type="checkbox"/> Hip Width: 12.5" - 17.25" (Size L)	\$140	K0108	C905151	C905151
<input type="checkbox"/> Hip Width: 16.25" - 20.5" (Size XL)	\$140	K0108	C905475	C905475
<input type="checkbox"/> Camlock Kit for 4-Point Belt	N/C		C905395	C905395
<b>Left Width, Height Adj. Lateral Pelvic Support (Hip Guide w/out Armrest)</b>				
<input type="checkbox"/> Small - 4.5" - 5.5" (H)*	\$125	E0956	C904935	C905042
<input type="checkbox"/> Large - 5.25" - 6.25" (H)*	\$125	E0956	C905040	C904937
<b>Right Width, Height Adj. Lateral Pelvic Support (Hip Guide w/out Armrest)</b>				
<input type="checkbox"/> Small - 4.5" - 5.5" (H)*	\$125	E0956	C904936	C905043
<input type="checkbox"/> Large - 5.25" - 6.25" (H)*	\$125	E0956	C905041	C904938
<b>Left Width, Adj Pelvic Support w/Height Adj. Armrest (Hip Guide w/ Armrest) (n/a w/Tray)</b>				
<input type="checkbox"/> Small - 5"-6"(H)*	\$152	E0956	C904611	C904613
<input type="checkbox"/> Large - 7"-8" (H)*	\$152	E0956		C904927
<b>Right Width, Adj Pelvic Support w/Height Adj. Armrest (Hip Guide w/ Armrest) (n/a w/Tray)</b>				
<input type="checkbox"/> Small - 5"-6"(H)	\$152	E0956	C904612	C904614
<input type="checkbox"/> Large - 7"-8" (H)*	\$152	E0956		C904928

\*Height is reduced by 1" when used with Planar Seat Cushion or 2" if used with Contoured Seat Cushion.

	<u>Price</u>	<u>HCPCS</u>	<u>TR12</u>	<u>TR14</u>
<b><u>Foot &amp; Leg Positioning</u></b>				
<b>Medial Knee Abductor (Pommel)</b>				
<input type="checkbox"/> Small (1.5" front width, 3.5" depth, 2" back width, 2.25" height)	\$169	E0957	C904557	C904557
<input type="checkbox"/> Medium (2.6" front width, 4.1" depth, 2" back width, 2.7" height)	\$169	E0957	C904591	C904591
<input type="checkbox"/> Angle Adjustable Elevating Leg Rest (90° - 180°) Pair <sup>1</sup>	\$260	K0195	C905046	C905047
<input type="checkbox"/> Padded Elevating Legrest Cover (Pair)	\$15	K0108	C904619	C904619
<input type="checkbox"/> Calf Panel (E.I.) H: 3.5" ^^	\$64	E0995	C905370	C905370
<input type="checkbox"/> Calf Panel (Standard) H: 6"	\$64	E0995	C904580	C904580
<input type="checkbox"/> Individual Angle Adjustable Footplates - Pair (Elevating Leg Rest Required) <sup>1</sup>	\$186	K0040	C905049	C905050
<input type="checkbox"/> One Piece Angle Adjustable Flip Up Footplate (-15° - +15°)	\$115	K0040	C904568	C904596
<input type="checkbox"/> Full Padded Footbox (One-Piece Footplate Required)	\$339	K0108	C904955	C904956
<b>Foot Positioners (Pair)**</b>				
<input type="checkbox"/> Small 7" - 10"	\$163	K0108	C903415	C903415
<input type="checkbox"/> Medium 8" - 11"	\$163	K0108	C903416	C903416
<input type="checkbox"/> Large 9" - 12"	\$163	K0108	C903417	C903417
<b>Therapin Shoe Holders w/Padded Straps (Pair)**</b>				
<input type="checkbox"/> Small	\$196	K0108	C904679	C904679
<input type="checkbox"/> Medium	\$196	K0108	C904680	C904680

<sup>1</sup>Manufacturer Installation Required.

\*\*Cannot be used during transit.

^^Use with Seat-to-Footplate range 4" - 7".

	<u>Price</u>	<u>HCPCS</u>	<u>TR12</u>	<u>TR14</u>
<b><u>Trekker Seating Module Accessories</u></b>				
<b>Headrest Cover Options (Canopy)</b>				
<input type="checkbox"/> Headrest Cover (Canopy)	\$238	K0108	C904572	C904599
<input type="checkbox"/> Extended Headrest Cover - No Windows (Canopy)	\$238	K0108	C904690	C904691
<input type="checkbox"/> Extended Headrest Cover - with Windows (Canopy)	\$266		C904573	C904600
<input type="checkbox"/> Upper Extremity Support Tray (Clear Tray) (Hardware Required) (Reversible)*^	\$115	E0950	C904556	C904590
<input type="checkbox"/> Adj Removable Hardware (Required for Clear Tray)	\$237	E1028	C905361	C905361
<input type="checkbox"/> Padded Tray Cover*^ (Clear Tray Required) (Reversible) (12) (14)	\$68	K0108	C904586	C904610
<input type="checkbox"/> Utility Bag	\$40		C904531	C904531
<input type="checkbox"/> Rain Cover (Headrest Cover Required)	\$182		C904790	C904791
<input type="checkbox"/> Mosquito Net (Headrest Cover Required)	\$182		C904788	C904789

\*Cannot be used during transit.

^Not available with arm rests.

	<u>Price</u>	<u>HCPCS</u>	<u>TR12</u>	<u>TR14</u>
<b><u>Trekker Base Frame Options</u></b>				
<input type="checkbox"/> Height Adjustable Push Handle (Outside Mount)	N/C		C904688	C904688
<b>Tire Options</b>				
<input type="checkbox"/> 12.5" x 2" Rear Solid Knobby Tire	\$208		C904117	C904117
<input type="checkbox"/> 7.5" x 2" Front, 12.5" Rear Pneumatic Knobby Tire	\$311		C904118	C904118
<b><u>Trekker Base Frame Accessories</u></b>				
<input type="checkbox"/> Caster Locks (Manufacturer Installation Required)	\$98	K0073	C904689	C904689
<input type="checkbox"/> Rear Anti-Tip Tubes	\$120	E0971	C904649	C904649
<input type="checkbox"/> Curb Tipper	\$102		C905310	C905310
<input type="checkbox"/> Under Seat Storage Basket	\$125			C904605

**Trekker Base Medical Support Accessories**

	<u>Price</u>	<u>HCPCS</u>	<u>TR12</u>	<u>TR14</u>
<input type="checkbox"/> IV Pole (height adjustable and collapsible) <sup>o</sup>	\$157	K0105	C904566	C904566
<input type="checkbox"/> O2 Tank Holder* <sup>1</sup>	\$182	E2208	C904565	C904565
<input type="checkbox"/> LTV Ventilator Holder <sup>1</sup>	\$469	E1029	C904671	C904671
<input type="checkbox"/> Medical Necessity Storage Basket	\$307			C904606
<input type="checkbox"/> Ventilator/Suction/Hard Tray	\$469	E1029	C904595	C904595
<input type="checkbox"/> Extended Ventilator/Suction/Hard Tray (Kit)	\$547	E1029	C905326	C905326
<input type="checkbox"/> Extended Ventilator/Suction/Hard Tray (Lower Tray Only)	\$469	E1029	C905416	C905416

<sup>1</sup>**Manufacturer Installation Required.**  
<sup>o</sup>**Requires Rear Anti-Tip Tubes.**  
<sup>\*</sup>**Cannot be used during transit.**

**R82 High-Low:x Frame Options**

	<u>Price</u>	<u>HCPCS</u>	<u>TR12</u>	<u>TR14</u>
<input type="checkbox"/> R82 High-Low:x sz 1, Manual Lift (Height Range: 6½" - 23½") 132lbs. Max	\$1,648		C905366	C905366
<input type="checkbox"/> R82 High-Low:x sz 2, Manual Lift (Height Range: 6¾" - 23¾") 132lbs. Max	\$1,966		C905367	C905367
<input type="checkbox"/> Push Brace - Fixed Angle	\$167		C905368	C905368
<input type="checkbox"/> Push Brace, Angle Adjustable	\$402		C905369	C905369
<input type="checkbox"/> Stingray Seat Module - Interface Adaptor Kit for Trekker Frame*	N/C		C905363	C905363

<sup>\*</sup>**Required with Trekker Frame.**

\*\*\*The Trekker Transit option includes four manufacturer installed red wheelchair transportation anchors. The Trekker Transit model has been crash tested and conforms to RESNA WC19 standards. Anthropomorphic Test Device weights are TR12T 75lbs/34kg and TR14T 110lbs/50kg.

The Convaid Trekker Mobility Base was tested with the Trekker Seating Module equipped with a head support and wheelchair anchored pelvic lap belt. Do not use the foot positioners on the Convaid Trekker during transit in a motor vehicle. The performance and safety of accessories and/or other seating options not tested by Convaid is unknown, and no warranty or claim about their performance is or can being made.

Furthermore, when being transported in a vehicle it is Convaid's position that the wheelchair user transfer from the wheelchair into appropriate vehicle seating during transportation. Please note that at this time, the Department of Transportation has not officially approved any tie-down system for a user while in a wheelchair, therefore Convaid cannot recommend a transit system.

For more information on RESNA WC-19 and WC-20 standards please visit <http://www.nercwts.pitt.edu/WC19.html>.

*HCPCS codes are provided for your convenience and are NOT to be considered billing or legal advice. Providers are responsible for insuring that appropriate billing codes are used when submitting claims. Proper use of HCPCS codes does not insure coverage or payment. Contact the appropriate payer for coverage information.*

**Standard Domestic Shipping Rate: \$40 • For expedited shipping rates, please call 1-844-876-6245**

Prices in USD & subject to change, ex works Torrance, California.

Convaid  
 2830 California Street  
 Torrance, CA 90503  
 1 844-US-MOBILITY (844-876-6245)  
[www.etac.us.com](http://www.etac.us.com)

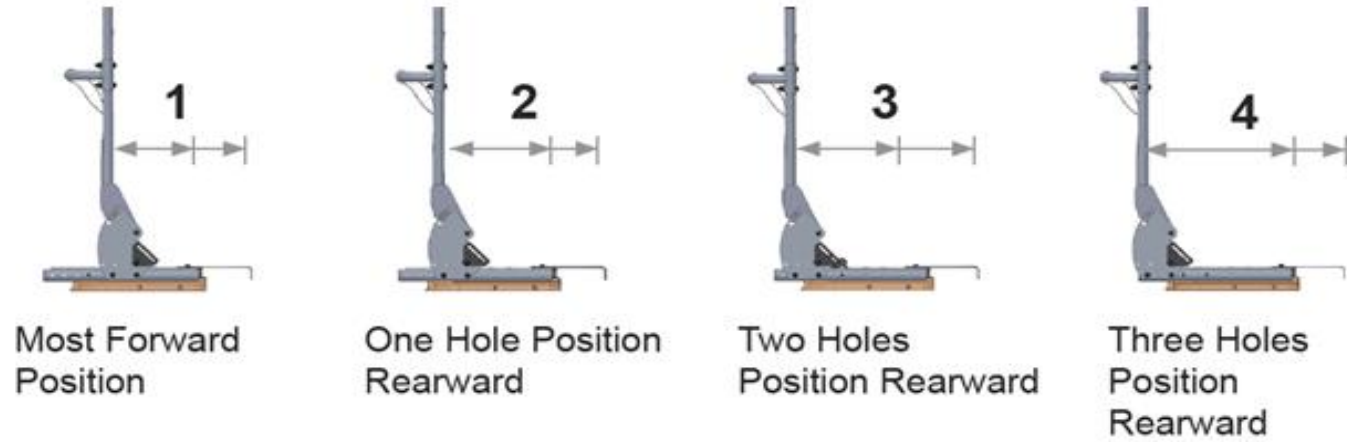
Effective: 6/1/2022

OF1800-ENG-REV.05



**Seat Depth Adjustable Positions:**

<b>Seat Depth Growth</b>				
Position:	1	2	3	4
TR12:	5.5" - 8"	7.5" - 10"	9.5" - 12"	N/A
TR14:	8" - 10"	10" - 12"	12" - 14"	13" - 15"



**Trekker Top Vests Belt Slot (Shoulder) Height from Seat Pan**

	Minimum	Maximum
TR12 Integrated Headrest	9"	13"
TR12 Separate Headrest	13"	17"
TR14 Separate Headrest	17"	26"

**Seating Module Specifications:****Convoid Trekker Seating Module Specifications**

<b>Seat Width with Accessories</b>	<b>TR 12 (Size 1)</b>	<b>TR 14 (Size 2)</b>
Trunk Width between Fixed Laterals (With Comfort Wings/Without Comfort Wings)	7.5" - 8" / 7.5" - 12"	9.5" - 10" / 9.5" - 14"
Trunk Width between Swing-Away Laterals (With Comfort Wings/Without Comfort Wings)	6" - 8" / 6" - 10"	7" - 9.5" / 7" - 14"
Hip Width between Hip Guides Without Armrests	5.5" - 11.5"	6.5" - 14"
Hip Width between Hip Guides With Armrests	5.5" - 11.5"	6.5" - 14"

**Convoid Trekker Seat to Footplate Dimensions**

<b>Seat to Footplate Dimensions</b>	<b>TR 12 (Size 1)</b>	<b>TR 14 (Size 2)</b>
Fixed 90° with one piece footplate	5.5" - 11.5"	5.5" - 11.5"
Fixed 90° with one piece footplate (flipped)	3.25" - 9.25"	3.25" - 9.25"
ELR with one piece footplate	4.75" - 10.75"	6.25" - 12.25"
ELR with one piece footplate (flipped)	2" - 8"	4.25" - 10.25"
ELR with individual footplates	5" - 11"	7" - 13"
ELR with individual footplates (flipped)	2" - 5"	4" - 7"