

# Convoid Trekker Transit - HCPCS E1234

## Retail Price List / Order Form

Account #: \_\_\_\_\_

Purchase Order #: \_\_\_\_\_ Date: \_\_\_\_\_

Contact: \_\_\_\_\_ ATP/RTS: \_\_\_\_\_

Mark For: \_\_\_\_\_

Bill To:	Ship To:
Address:	Address:
City/State/Zip:	
Phone:	City/State/Zip:
Email:	Phone:

### Trekker Standard Features:

- TR14 Base Accepts TR12 & TR14 Seating
- Tilt-in-Space (-10° to +45°)
- 180° Reversible Seating Configuration
- Seat to Back Angle (80° to 110°)
- Single Foot Activated Wheel Lock Bar
- 7.5" x 2" Front and 11.5" x 2.5" Rear Solid Tires
- One Piece Height Adjustable Push Handle (Inside Mount)

### Transit Standard Features:

- Transit Anchor Brackets

- Silver Powder Coated Frame
- 90° Fixed Footplate
- Quick Release Rear Wheels
- 90° Fixed Front Rigging
- Comfort Wing Support
- Depth Adjustable Seat Pan
- Made in the USA

#### Standard Models:

- Trekker Seat Module - C904768
- Trekker Standard Base with Transit - C905362

#### Price

**\$1,578**  
**\$1,129**

### Trekker Seating Module

- Trekker Seat Width 12"
- Trekker Seat Width 14"

#### Back Module Options - Select one below:

- Back Canes Only<sup>1</sup>
- Height Adjustable Solid Back (Back Height Adjustment Range TR12: 9" - 17"/TR14: 17" - 26")<sup>1</sup>

#### Seating Module Options (See chart on last page of order form):

- TR12 Seat Depth Position 1
- TR12 Seat Depth Position 2
- TR12 Seat Depth Position 3
- TR14 Seat Depth Position 4

#### Height Adjustable Solid Back Options

- Recline System (80 to 170 degrees) (Manufacturer Installation Required)
- Comfort Wings Assembly (LH) (Standard with TR12 Back Pan)
- Comfort Wings Assembly (RH) (Required with TR12 Back Pan)

#### Upholstery Color:

- Panther Black
- Royal Blue
- Chocolate Brown
- Forest Green
- Sassy Purple
- Princess Pink
- Cherry Red
- Aqua Blue
- Apple Green

#### Back Cushion:\*\*

- Snuggle Upholstery Back Cushion - Short (TR12: 12x18)/(TR14: 14x22)
- Snuggle Upholstery Back Cushion - Tall (14: 14x26)

#### Extra Back Cushion Options\*

- Lumbar Support

#### Contoured Seat Cushion\*<sup>2</sup>

- Snuggle Contoured Seat Cushion - Short Cordura (TR12: 12x11) / (TR14: 14x13) **\$339**
- Snuggle Contoured Seat Cushion - Long Cordura (TR12: 12x14) / (TR14: 14x16) **\$339**
- Snuggle Contoured Seat Cushion - Short Spacer Fabric (TR12: 12x11) / (TR14: 14x13) **\$339**
- Snuggle Contoured Seat Cushion - Long Spacer Fabric (TR12: 12x14) / (TR14: 14x16) **\$339**

#### Planar Seat Cushion\*<sup>2</sup>

- Snuggle Planar Seat Cushion - Short Cordura (TR12: 12x12) / (TR14: 14x14) **\$307**
- Snuggle Planar Seat Cushion - Long Cordura (TR12: 12x15) / (TR14: 14x17) **\$307**
- Snuggle Planar Seat Cushion - Short Spacer Fabric (TR12: 12x12) / (TR14: 14x14) **\$307**
- Snuggle Planar Seat Cushion - Long Spacer Fabric (TR12: 12x15) / (TR14: 14x17) **\$307**

#### Price

N/C  
N/C

N/C  
**\$547**

**\$0**  
**\$0**  
**\$0**  
**\$0**

**\$501**  
N/C  
N/C

N/C  
N/C  
N/C  
N/C  
N/C  
N/C  
N/C  
N/C  
N/C  
N/C

N/C  
N/C

**\$37**

**\$339**  
**\$339**  
**\$339**  
**\$339**

**\$307**  
**\$307**  
**\$307**  
**\$307**

#### HCPCS

**E2293**

**E1226**

**K0108**

**E2294**  
**E2294**  
**E2294**  
**E2294**

**E2292**  
**E2292**  
**E2292**  
**E2292**

#### TR12

#### TR14

C905515	C905516
C508446	C508447
C904662	C904663
C905354	C905357
C905355	C905358
C905356	C905359
C905053	C905053
C904617	C904618
C903854	C903854
C903850	C903850
C904189	C904189
C903857	C903857
C903851	C903851
C903759	C903759
C903855	C903855
C904753	C904753
C904754	C904754
C904696	C904698
904664	C904699
C905414	C904781
C905415	C904783
C904780	C904782
C905429	C905430
C905412	C904710
C905413	C904711
C904708	C905425
C904709	C905426

<sup>1</sup>Manufacturer Installation Required.

<sup>2</sup>Fast tab is only added to Cushion if 3-Pt Belt is added. New Cushion is required if 3-Pt Belt is added after-market.

\*All seat cushions must have fast tab for aftermarket 3-Pt Belt and H-Harness.

\*\*Back cushion dimensions are seat pan to top of back pan.

	<u>Head Supports</u>	<u>Price</u>	<u>HCPCS</u>	<u>TR12</u>	<u>TR14</u>
<input type="checkbox"/>	Height Adjustable Curved Head Support****	\$235	E0955	C904607	C904607
<input type="checkbox"/>	Adjustable Wing Head Support****	\$277	E0955	C904608	C904608
<input type="checkbox"/>	Integrated Adj Head Support Assembly (TR12 Only)	\$70	E0955	C904615	C904615
	<b>Anatomic Headrest with Cover by R82 (Requires Headrest Universal Mount &amp; Swing-Away Mounting Bracket)</b>				
<input type="checkbox"/>	Small	\$266	E0955	C904950	C904950
<input type="checkbox"/>	Medium	\$266	E0955	C904951	C904951
<input type="checkbox"/>	Large	\$266	E0955	C904952	C904952
	<b>Swing-Away Mounting Bracket - Height, Depth, Angle &amp; Lateral Adjustable by R82</b>				
<input type="checkbox"/>	Turtle Neck Bar System, Short	\$240	E1028	C904948	C904948
<input type="checkbox"/>	Turtle Neck Bar System, Long	\$240	E1028	C904947	C904947
	<b>R82 Adjustable Width Headrest, Dynamic - Long (Requires Headrest Universal Mount &amp; Swing-away Mounting Bracket)</b>				
<input type="checkbox"/>	Adjustable Width Headrest Large Laterals w/Speakers, Dynamic, Black Cover - Long	\$501	E0955	C905282	C905282
<input type="checkbox"/>	Adjustable Width Headrest, Large Laterals, Dynamic, Black Cover - Long	\$402	E0955	C905173	C905173
<input type="checkbox"/>	Adjustable Width Headrest Two Laterals, Dynamic, Black Cover - Long	\$402	E0955	C905288	C905288
<input type="checkbox"/>	Adjustable Width Headrest Four Laterals, Dynamic, Black Cover - Long	\$402	E0955	C905174	C905174
	<b>R82 Adjustable Width Headrest, Dynamic - Short (Requires Headrest Universal Mount &amp; Swing-away Mounting Bracket)</b>				
<input type="checkbox"/>	Adjustable Width Headrest Large Laterals w/Speakers, Dynamic, Black Cover - Short	\$501	E0955	C905284	C905284
<input type="checkbox"/>	Adjustable Width Headrest, Large Laterals, Dynamic, Black Cover - Short	\$402	E0955	C905286	C905286
<input type="checkbox"/>	Adjustable Width Headrest Two Laterals, Dynamic, Black Cover - Short	\$402	E0955	C905175	C905175
<input type="checkbox"/>	Adjustable Width Headrest Four Laterals, Dynamic, Black Cover - Short	\$402	E0955	C905290	C905290
	<b>R82 Adjustable Width Headrest, Non-Dynamic - Long (Requires Headrest Universal Mount &amp; Swing-away Mounting Bracket)</b>				
<input type="checkbox"/>	Adjustable Width Headrest Large Laterals w/Speakers, Non-Dynamic, Black Cover - Long	\$422	E0955	C905281	C905281
<input type="checkbox"/>	Adjustable Width Headrest, Large Laterals, Non-Dynamic, Black Cover - Long	\$318	E0955	C905170	C905170
<input type="checkbox"/>	Adjustable Width Headrest Two Laterals, Non-Dynamic, Black Cover - Long	\$318	E0955	C905289	C905289
<input type="checkbox"/>	Adjustable Width Headrest Four Laterals, Non-Dynamic, Black Cover - Long	\$318	E0955	C905291	C905291
	<b>R82 Adjustable Width Headrest, Non-Dynamic - Short (Requires Headrest Universal Mount &amp; Swing-away Mounting Bracket)</b>				
<input type="checkbox"/>	Adjustable Width Headrest Large Laterals w/Speakers, Non-Dynamic, Black Cover - Short	\$422	E0955	C905285	C905285
<input type="checkbox"/>	Adjustable Width Headrest, Large Laterals, Non-Dynamic, Black Cover - Short	\$318	E0955	C905287	C905287
<input type="checkbox"/>	Adjustable Width Headrest Two Laterals, Non-Dynamic, Black Cover - Short	\$318	E0955	C905172	C905172
<input type="checkbox"/>	Adjustable Width Headrest Four Laterals, Non-Dynamic, Black Cover - Short	\$318	E0955	C905171	C905171
<input type="checkbox"/>	Headrest Universal Mount (R82 Compatible) (Accommodates most manufacturer's head supports)****	\$57	K0108	C904946	C904946
	<b>****Requires the Height Adjustable Solid Back System.</b>				

	<u>Trunk Positioning</u>	<u>Price</u>	<u>HCPCS</u>	<u>TR12</u>	<u>TR14</u>
<input type="checkbox"/>	H-Harness w/ Padded Covers^^	\$135	E0960	C904695	C904695
	<b>Neoprene Vest by R82 (Hardware Required)</b>				
<input type="checkbox"/>	LT Shoulder to RT Hip: 7.75" - 10.75" (Size XS)	\$209	E0960	C905476	C905476
<input type="checkbox"/>	LT Shoulder to RT Hip: 10.75" - 12.5" (Size S)	\$209	E0960	C905152	C905152
<input type="checkbox"/>	LT Shoulder to RT Hip: 12.5" - 16" (Size M)	\$209	E0960	C905153	C905153
<input type="checkbox"/>	LT Shoulder to RT Hip: 16" - 18.5" (Size L)	\$209	E0960	C905154	C905154
<input type="checkbox"/>	LT Shoulder to RT Hip: 18.5" - 20.5" (Size XL)	\$209	E0960	C905480	C905480
<input type="checkbox"/>	LT Shoulder to RT Hip: 20.5" - 23.5" (Size XXL)	\$209	E0960	C905481	C905481
<input type="checkbox"/>	Camlock Kit for Vest (Required for Vest)	N/C		C905394	C905394
	<b>Chest Belt, Upholstered by R82 (Hardware Required)</b>				
<input type="checkbox"/>	W: 11.25" x D:7.5" x H: 9.25-12" (Size 1)	\$282	E0960	C905155	C905155
<input type="checkbox"/>	W: 14" X D: 10.25" X H: 10.25-12.75" (Size 2)	\$282	E0960	C905156	C905156
<input type="checkbox"/>	W: 16.25" X D: 12.5" X H: 10.25-12.75" (Size 3)	\$282	E0960	C905157	C905157
<input type="checkbox"/>	W: 20.25" X D: 16" X H: 11.25-14.5" (Size 4)	\$282	E0960	C905158	C905158
<input type="checkbox"/>	Camlock Kit for Vest (Required for Vest)	N/C		C905394	C905394
	<b>Cross Vest by R82 (Hardware Required)</b>				
<input type="checkbox"/>	LT Shoulder to RT Hip: 7.75" - 12.5" (Size XS)	\$198	E0960	C905176	C905176
<input type="checkbox"/>	LT Shoulder to RT Hip: 10.25" - 13.5" (Size S)	\$198	E0960	C905177	C905177
<input type="checkbox"/>	LT Shoulder to RT Hip: 13.5" - 17.75" (Size M)	\$198	E0960	C905178	C905178
<input type="checkbox"/>	LT Shoulder to RT Hip: 17.75" - 20.75" (Size L)	\$198	E0960	C905179	C905179
<input type="checkbox"/>	LT Shoulder to RT Hip: 20.75" - 24.5" (Size XL)	\$198	E0960	C905180	C905180
<input type="checkbox"/>	Camlock Kit for Vest (Required for Vest)	N/C		C905394	C905394
	<b>Left - Width, Height Adj. Lateral Thoracic Support - Fixed Laterals</b>				
<input type="checkbox"/>	Size 1: 4" (D) x 4.5" (H)****^	\$152	E0956	C904760	C904760
<input type="checkbox"/>	Size 2: 5" (D) x 4.5" (H)****^	\$152	E0956	C904876	C904876
<input type="checkbox"/>	Size 3: 6" (D) x 4.5" (H)****^	\$152	E0956	C904877	C904877
	<b>Right - Width, Height Adj. Lateral Thoracic Support - Fixed Laterals</b>				
<input type="checkbox"/>	Size 1: 4" (D) x 4.5" (H)****^	\$152	E0956	C904761	C904761
<input type="checkbox"/>	Size 2: 5" (D) x 4.5" (H)****^	\$152	E0956	C904886	C904886
<input type="checkbox"/>	Size 3: 6" (D) x 4.5" (H)****^	\$152	E0956	C904887	C904887
	<b>Left - Height Adj. Lateral Thoracic Support - Swing Away Laterals</b>				
<input type="checkbox"/>	Size 1: 4" (D) x 2.75" (H)*	\$123	E0956	C904864	C904864
<input type="checkbox"/>	Size 2: 5.75" (D) x 4.25" (H)*	\$123	E0956	C904866	C904866
<input type="checkbox"/>	Swing Away Adj. Hardware (Required for S/A Laterals)	\$248	E1028	C904884	C904884
	<b>Right - Height Adj. Lateral Thoracic Support - Swing Away Laterals</b>				
<input type="checkbox"/>	Size 1: 4" (D) x 2.75" (H)*	\$123	E0956	C904865	C904865
<input type="checkbox"/>	Size 2: 5.75" (D) x 4.25" (H)*	\$123	E0956	C904867	C904867
<input type="checkbox"/>	Swing Away Adj. Hardware (Required for S/A Laterals)	\$248	E1028	C904885	C904885
<input type="checkbox"/>	1" Thick Padded Lateral Support Cover	\$52	E0960	C905411	C905411
	<b>*Pad Size.</b>				
	<b>^^^Requires the Height Adjustable Solid Back System and 3-Pt Belt.</b>				
	<b>****Requires the Height Adjustable Solid Back System.</b>				
	<b>^Depth of Laterals is reduced by 1" with back upholstery.</b>				

**Pelvic Positioning**

- 2-Point Pelvic Positioning Belt (Size 0)
- 3-Pt Positioning Belt (Trekker Seat Cushion Required)

**Transit Options**

- Q'Straint Transit Lap Belt
- Sure-Lok Transit Lap Belt

**4-Point Pelvic Positioning Belt by R82 (Hardware Required)**

- Hip Width: 6.75" - 12.5" (Size XS)
- Hip Width: 8.25" - 13.75" (Size S)
- Hip Width: 9.75" - 16.25" (Size M)
- Hip Width: 12.5" - 17.25" (Size L)
- Hip Width: 16.25" - 20.5" (Size XL)
- Camlock Kit for 4-Point Belt

**Left Width, Height Adj. Lateral Pelvic Support (Hip Guide w/out Armrest)**

- Small - 4.5" - 5.5" (H)\*
- Large - 5.25" - 6.25" (H)\*

**Right Width, Height Adj. Lateral Pelvic Support (Hip Guide w/out Armrest)**

- Small - 4.5" - 5.5" (H)\*
- Large - 5.25" - 6.25" (H)\*

**Left Width, Adj Pelvic Support w/Height Adj. Armrest (Hip Guide w/ Armrest) (n/a w/Tray)**

- Small - 5"-6"(H)\*
- Large - 7"-8" (H)\*

**Right Width, Adj Pelvic Support w/Height Adj. Armrest (Hip Guide w/ Armrest) (n/a w/Tray)**

- Small - 5"-6"(H)
- Large - 7"-8" (H)\*

*\*Height is reduced by 1" when used with Planar Seat Cushion or 2" if used with Contoured Seat Cushion.*

Price	HCPCS
\$47	E0978
\$51	E0978
\$94	E0978
\$94	E0978
\$140	K0108
\$140	K0108
\$140	K0108
\$140	K0108
\$140	K0108
\$140	K0108
N/C	
\$125	E0956
\$125	E0956
\$125	E0956
\$125	E0956
\$152	E0956
\$152	E0956
\$152	E0956
\$152	E0956

TR12	TR14
C905386	C905386
C904017	C904017
C903094	C903094
C903232	C903232
C905148	C905148
C905149	C905149
C905150	C905150
C905151	C905151
C905475	C905475
C905395	C905395
C904935	C905042
C905040	C904937
C904936	C905043
C905041	C904938
C904611	C904613
	C904927
C904612	C904614
	C904928

**Foot & Leg Positioning**

**Medial Knee Abductor (Pommel)**

- Small (1.5" front width, 3.5" depth, 2" back width, 2.25" height)
- Medium (2.6" front width, 4.1" depth, 2" back width, 2.7" height)

- Angle Adjustable Elevating Leg Rest (90° - 180°) Pair<sup>1</sup>
- Padded Elevating Legrest Cover (Pair)
- Calf Panel (E.I.) H: 3.5" ^^
- Calf Panel (Standard) H: 6"
- Individual Angle Adjustable Footplates - Pair (Elevating Leg Rest Required)<sup>1</sup>
- One Piece Angle Adjustable Flip Up Footplate (-15° - +15°)
- Full Padded Footbox (One-Piece Footplate Required)

**Foot Positioners (Pair)\*\***

- Small 7" - 10"
- Medium 8" - 11"
- Large 9" - 12"

**Therapin Shoe Holders w/Padded Straps (Pair)\*\***

- Small
- Medium

<sup>1</sup>Manufacturer Installation Required.

\*\*Cannot be used during transit.

^^Use with Seat-to-Footplate range 4" - 7".

Price	HCPCS
\$169	E0957
\$169	E0957
\$260	K0195
\$15	K0108
\$64	E0995
\$64	E0995
\$186	K0040
\$115	K0040
\$339	K0108
\$0	K0108
\$0	K0108
\$0	K0108
\$196	K0108
\$196	K0108

TR12	TR14
C904557	C904557
C904591	C904591
C905046	C905047
C904619	C904619
C905370	C905370
C904580	C904580
C905049	C905050
C904568	C904596
C904955	C904956
C903415B	C903415B
C903416B	C903416B
C903417B	C903417B
C904679	C904679
C904680	C904680

**Trekker Seating Module Accessories**

**Headrest Cover Options (Canopy)**

- Headrest Cover (Canopy)
- Extended Headrest Cover - No Windows (Canopy)
- Extended Headrest Cover - with Windows (Canopy)

- Upper Extremity Support Tray (Clear Tray) (Hardware Required) (Reversible)\*\*
- Adj Removable Hardware (Required for Clear Tray)
- Padded Tray Cover\*\*\*\* (Clear Tray Required) (Reversible) (12) (14)
- Utility Bag
- Rain Cover (Headrest Cover Required)
- Mosquito Net (Headrest Cover Required)

*\*Cannot be used during transit.*

*^Not available with arm rests.*

Price	HCPCS
\$238	K0108
\$238	K0108
\$266	
\$115	E0950
\$237	E1028
\$68	K0108
\$40	
\$182	
\$182	

TR12	TR14
C904572	C904599
C904690	C904691
C904573	C904600
C904556	C904590
C905361	C905361
C904586	C904610
C904531	C904531
C904790	C904791
C904788	C904789

**Trekker Base Frame Options**

- Height Adjustable Push Handle (Outside Mount)

**Tire Options**

- 12.5" x 2" Rear Solid Knobby Tire
- 7.5" x 2" Front, 12.5" Rear Pneumatic Knobby Tire

Price	HCPCS
N/C	
\$208	
\$311	

TR12	TR14
C904688	C904688
C904117	C904117
C904118	C904118

**Trekker Base Frame Accessories**

- Caster Locks (Manufacturer Installation Required)
- Rear Anti-Tip Tubes
- Curb Tipper
- Under Seat Storage Basket (14)

Price	HCPCS
\$98	K0073
\$120	E0971
\$102	
\$125	

TR12	TR14
C904689	C904689
C904649	C904649
C905310	C905310
	C904605

**Trekker Base Medical Support Accessories**

	<u>Price</u>	<u>HCPCS</u>	<u>TR12</u>	<u>TR14</u>
<input type="checkbox"/> IV Pole (height adjustable and collapsible)°	\$157	K0105	C904566	C904566
<input type="checkbox"/> O2 Tank Holder*1	\$182	E2208	C904565	C904565
<input type="checkbox"/> LTV Ventilator Holder 1	\$469	E1029	C904671	C904671
<input type="checkbox"/> Medical Necessity Storage Basket	\$307			C904606
<input type="checkbox"/> Ventilator/Suction/Hard Tray	\$469	E1029	C904595	C904595
<input type="checkbox"/> Extended Ventilator/Suction/Hard Tray (Kit)	\$547	E1029	C905326	C905326
<input type="checkbox"/> Extended Ventilator/Suction/Hard Tray (Lower Tray Only)	\$469	E1029	C905416	C905416

**<sup>1</sup>Manufacturer Installation Required.**  
**°Requires Rear Anti-Tip Tubes.**  
**\*Cannot be used during transit.**

**R82 High-Low:x Frame Options**

	<u>Price</u>	<u>HCPCS</u>	<u>TR12</u>	<u>TR14</u>
<input type="checkbox"/> R82 High-Low:x sz 1, Manual Lift (Height Range: 6½" - 23½") 132lbs. Max	\$1,648		C905366	C905366
<input type="checkbox"/> R82 High-Low:x sz 2, Manual Lift (Height Range: 6¾" - 23¾") 132lbs. Max	\$1,966		C905367	C905367
<input type="checkbox"/> Push Brace - Fixed Angle	\$167		C905368	C905368
<input type="checkbox"/> Push Brace, Angle Adjustable	\$402		C905369	C905369
<input type="checkbox"/> Stingray Seat Module - Interface Adaptor Kit for Trekker Frame*	N/C		C905363	C905363

**\*Required with Trekker Frame.**

\*\*\*The Trekker Transit option includes four manufacturer installed red wheelchair transportation anchors. The Trekker Transit model has been crash tested and conforms to RESNA WC19 standards. Anthropomorphic Test Device weights are TR12T 75lbs/34kg and TR14T 110lbs/50kg.

The Convoid Trekker Mobility Base was tested with the Trekker Seating Module equipped with a head support and wheelchair anchored pelvic lap belt. Do not use the foot positioners on the Convoid Trekker during transit in a motor vehicle. The performance and safety of accessories and/or other seating options not tested by Convoid is unknown, and no warranty or claim about their performance is or can being made.

Furthermore, when being transported in a vehicle it is Convoid's position that the wheelchair user transfer from the wheelchair into appropriate vehicle seating during transportation. Please note that at this time, the Department of Transportation has not officially approved any tie-down system for a user while in a wheelchair, therefore Convoid cannot recommend a transit system.

For more information on RESNA WC-19 and WC-20 standards please visit <http://www.rercwts.pitt.edu/WC19.html>.

*HCPCS codes are provided for your convenience and are NOT to be considered billing or legal advice. Providers are responsible for insuring that appropriate billing codes are used when submitting claims. Proper use of HCPCS codes does not insure coverage or payment. Contact the appropriate payer for coverage information.*

**Standard Domestic Shipping Rate: \$40 • For expedited shipping rates, please call 1-844-876-6245**

Prices in USD & subject to change, ex works Torrance, California.

Effective: 6/1/2022

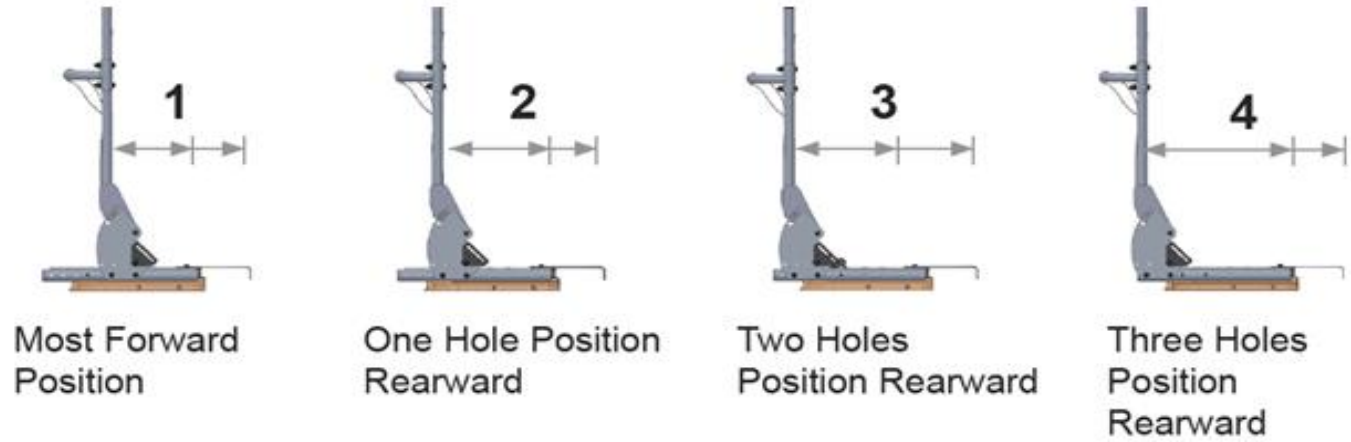
Convoid  
 2830 California Street  
 Torrance, CA 90503  
 1 844-US-MOBILITY (844-876-6245)  
 www.etac.us.com

OF1808-ENG-REV.05



**Seat Depth Adjustable Positions:**

<b>Seat Depth Growth</b>				
<b>Postion:</b>	<b>1</b>	<b>2</b>	<b>3</b>	<b>4</b>
<b>TR12:</b>	5.5" - 8"	7.5" - 10"	9.5" - 12"	N/A
<b>TR14:</b>	8" - 10"	10" - 12"	12" - 14"	13" - 15"



**Trekker Top Vests Belt Slot (Shoulder) Height from Seat Pan**

	<b>Minimum</b>	<b>Maximum</b>
<b>TR12</b> Integrated Headrest	9"	13"
<b>TR12</b> Separate Headrest	13"	17"
<b>TR14</b> Separate Headrest	17"	26"

**Seating Module Specifications:****Convaid Trekker Seating Module Specifications**

<b>Seat Width with Accessories</b>	<b>TR 12 (Size 1)</b>	<b>TR 14 (Size 2)</b>
Trunk Width between Fixed Laterals (With Comfort Wings/Without Comfort Wings)	7.5" - 8" / 7.5" - 12"	9.5" - 10" / 9.5" - 14"
Trunk Width between Swing-Away Laterals (With Comfort Wings/Without Comfort Wings)	6" - 8" / 6" - 10"	7" - 9.5" / 7" - 14"
Hip Width between Hip Guides Without Armrests	5.5" - 11.5"	6.5" - 14"
Hip Width between Hip Guides With Armrests	5.5" - 11.5"	6.5" - 14"

**Convaid Trekker Seat to Footplate Dimensions**

<b>Seat to Footplate Dimensions</b>	<b>TR 12 (Size 1)</b>	<b>TR 14 (Size 2)</b>
Fixed 90° with one piece footplate	5.5" - 11.5"	5.5" - 11.5"
Fixed 90° with one piece footplate (flipped)	3.25" - 9.25"	3.25" - 9.25"
ELR with one piece footplate	4.75" - 10.75"	6.25" - 12.25"
ELR with one piece footplate (flipped)	2" - 8"	4.25" - 10.25"
ELR with individual footplates	5" - 11"	7" - 13"
ELR with individual footplates (flipped)	2" - 5"	4" - 7"