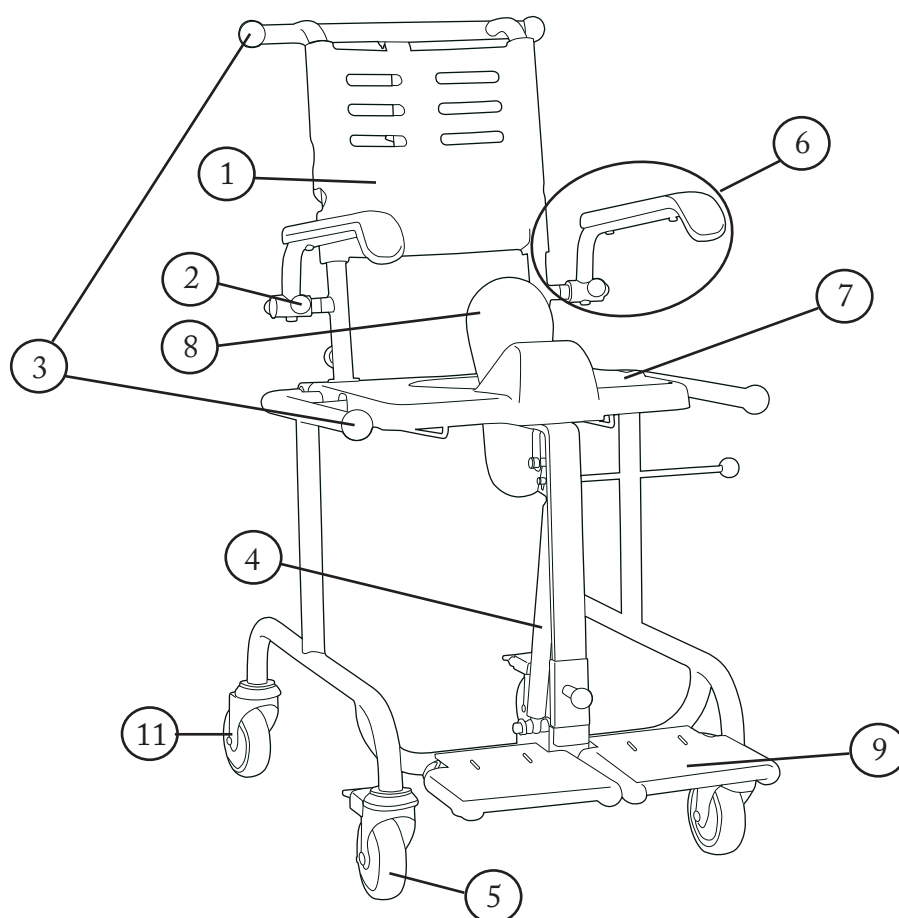


Tripp



Pos	Description	Item No.
1	Backrest	84001233
2	Ball set, 25mm, 2 pcs	84001204
3	Ball set, 35mm, 2 pcs	84001205
4	Gas piston, complete	84001175
5	100 mm castor, lockable, 2 pcs	84001229
6	Armrest, complete, pair	84001112
7	Seat	84001232
8	Splash guard	84001234
9	Footrest, complete with footplates	84001113
10	100mm castor, non lockable, 2 pcs	84001230
	Rubberstrap, 2 pcs (fits Cross bar)	84001117

78313B

11-02-11

Etac AB, Box 203, SE-334 24 Anderstorp
Tel. +46/371-58 73 00, Fax. +46/371-58 73 90

www.etac.com