

Convoid Flyer - HCPCS E1233/E1161

Canadian Retail Price List / Order Form

Account #: _____

Purchase Order #: _____ Date: _____

Contact: _____

Mark For: _____

Bill To:	Ship To:
Address:	Address:
City/State/Zip:	
Phone:	City/State/Zip:
Email:	Phone:

Flyer Base Standard Features:

- CG Tilt-in-Space (-5° to +40°)
- 30° back angle adjustment (80° to 110°)
- Quick Release Rear Wheels
- Single Foot Activated Wheel Lock
- HCPCS code E1161 is only valid on chairs 15" or greater
- 90° Removable, Front Riggings with Fixed Angled Footplate
- Flip-up armrests - Long (Standard on FL15 and FL16)
- Choice of 3 Mobility Base colors
- Choice of One Piece or Two Piece Push Handle
- Choice of three back cane heights
- Made in the USA

Standard Models:

<input type="checkbox"/> Flyer FL12 - 905088	Price
<input type="checkbox"/> Flyer FL13 - 905089	\$3,665
<input type="checkbox"/> Flyer FL14 - 905090	\$3,665
<input type="checkbox"/> Flyer FL15 - 905091	\$3,665
<input type="checkbox"/> Flyer FL16 - 905092	\$3,665

All prices in CAD

Frame Colors

- Red
 Blue
 Silver

Price
N/C
N/C
N/C

FL12	FL13	FL14	FL15	FL16
905133	905133	905133	905133	905133
905134	905134	905134	905134	905134
905135	905135	905135	905135	905135

Seat Depth Range Options (see chart on last page of order form)

- Position 1: 11"-15"
 Position 2: 13"-17"
 Position 3: 15"-19"
 Position 4: 17"- 21"

Price
N/C
N/C
N/C
N/C

FL12	FL13	FL14	FL15	FL16
905197	905197	905197	905197	905197
905198	905198	905198	905198	905198
905199	905199	905199	905199	905199
905200	905200	905200	905200	905200

*Seat Depth is reduced by 1 1/2" when used with Solid Back System with Cushions and requires tools.

Tire Selection

- 12" Rear Tire, 6" x 2" Front Caster (15" Front Seat to Floor Height)
 16" Rear Tire, 7.5" x 2" Front Caster (17" Front Seat to Floor Height)

Price
N/C
N/C

FL12	FL13	FL14	FL15	FL16
905303	905304	905305	905306	905307
905059	905060	905061	905062	905063

Seat Options

- Select One:**
 Planar Seat Cushion (Includes Solid Seat Pan)**
 Seat Pan: 12"-16" Width, 4" Depth Growth ^^

Price
\$426
\$196

FL12	FL13	FL14	FL15	FL16
905083	905084	905085	905086	905087
905057	905057	905057	905057	905057

**Planar Seat Cushion HCPCS code only applies to pediatric sizes 12, 13, and 14.

^^Needed when using other manufacturer's seat cushion.

Back Options

- Back Cane Fixed Heights* (7/8" diameter)- with Push Handles (Select One):**
 Short: 19" - (Supports back height range: 13" - 19")*** (Cannot be used with IV Pole)
 Medium: 22" - (Supports back height range 13" - 22")***
 Tall: 25" - (Supports back height range 13" - 25")***
 Height adjustable solid back system (13" - 25") with 3 back cushions and front/back covers****

Price
N/C
N/C
N/C
\$687

FL12	FL13	FL14	FL15	FL16
905054	905054	905054	905054	905054
905055	905055	905055	905055	905055
905056	905056	905056	905056	905056
905093	905094	905095	905096	905097

Cushion Accent Color (cushion is black, color is for piping along sides) Select One:

- Royal Blue
 Forest Green
 Cherry Red
 Sassy Purple
 Princess Pink
 Panther Black
 Chocolate Brown
 Aqua Blue
 Apple Green

N/C
N/C
N/C
N/C
N/C
N/C
N/C
N/C
N/C
N/C
N/C
N/C
N/C

FL12	FL13	FL14	FL15	FL16
903850	903850	903850	903850	903850
903857	903857	903857	903857	903857
903855	903855	903855	903855	903855
903851	903851	903851	903851	903851
903759	903759	903759	903759	903759
903854	903854	903854	903854	903854
904189	904189	904189	904189	904189
904753	904753	904753	904753	904753
904754	904754	904754	904754	904754

***Measured from pan to push handle bend.

****Height Adjustable Solid Back System w/Back Cushion HCPCS code only applies to pediatric sizes 12, 13, and 14.

Push Handle Option

- Two Piece Push Handle
 One-Piece Height Adjustable Push Handle Option (+- 9" height adjustable from back canes height) (Select One):
 Outside Mount
 Inside Mount

Price
N/C
N/C
N/C

905311	905311	905311	905311	905311
905108	905109	905110	905111	905112
905098	905099	905100	905101	905102

Transit

- Transit Option (Manufacturer Installation Required)±
 ±See bottom of order form regarding the specific configuration in which the chair was tested for WC-19.

Price
\$262

FL12	FL13	FL14	FL15	FL16
905082	905082	905082	905082	905082

Transit Options

- Q'Straint Transit Lap Belt
 Sure-Lok Transit Lap Belt

Price
\$118
\$118

FL12	FL13	FL14	FL15	FL16
903094	903094	903094	903094	903094
903232	903232	903232	903232	903232

Pelvic Positioning

- 2-Point Pelvic Positioning Belt
 4-Point Pelvic Positioning Belt by R82 (Hardware Required)
 W: 9-10.25" X D: 21.5" (Size 0)
 W: 10.25-11.25" X D: 21.5" (Size 1)
 W: 12-13.5" X D: 21.5" X H: 19.5" (Size 2)
 W: 14-15.5" X D: 21.5" X H: 19.5" (Size 3)
 R82 Hardware (Required for R82 Belt)

Price
\$59

FL12	FL13	FL14	FL15	FL16
903931	903931	903931	904559	904559

Left Width, Height Adj. Lateral Pelvic Support (Hip Guide)

- Small - H: 4.5" - 5.5"
 Large - H: 5.25" - 6.25"

\$157
\$157

905320	905320	905320	905320	905320
905322	905322	905322	905322	905322

Right Width, Height Adj. Lateral Pelvic Support (Hip Guide)

- Small - H: 4.5" - 5.5"
 Large - H: 5.25" - 6.25"

\$157
\$157

905321	905321	905321	905321	905321
905323	905323	905323	905323	905323

*Height is reduced by 2" when used with Cushion.

Foot & Leg Positioning

Price

Front Riggings (Footplates attach to the Front Riggings)	
<input type="checkbox"/> Angle Adjustable Elevating Leg Rest (ELR) - Pair ***	\$327
<input type="checkbox"/> Legrest Extension +2** - Pair (ELR Required)	\$72
Footplates	
<input type="checkbox"/> One-Piece Angle Adjustable Footplates (Flip Up and Reversible) (ELR Required)	\$144
<input type="checkbox"/> One-Piece Fixed Angle Footplates (Flip-up and Reversible Footplate) (ELR Required)	N/C
<input type="checkbox"/> Individual Angle Adjustable Footplates - Pair (Compatible with std fixed front riggings or ELR)	\$234
Foot Positioners (Pair)	
<input type="checkbox"/> Small 7" - 10"	\$204
<input type="checkbox"/> Medium 8" - 11"	\$204
<input type="checkbox"/> Large 9" - 12"	\$204
Therafin Shoe Holders w/Padded Straps (Pair)	
<input type="checkbox"/> Small	\$246
<input type="checkbox"/> Medium	\$246
<input type="checkbox"/> Fully Padded Footbox (one-piece footplate required)	\$426
<input type="checkbox"/> Calf Panel	\$80

	FL12	FL13	FL14	FL15	FL16
905077	905077	905078	905078	905136	
904095	904095	904096	904096	904097	
905160	905161	905162	905163	905164	
905072	905073	905074	905075	905076	
905165	905165	905166	905166	905166	
903415	903415	903415	903415	903415	
903416	903416	903416	903416	903416	
903417	903417	903417	903417	903417	
904679	904679	904679	904679	904679	
904680	904680	904680	904680	904680	
904954	904954	904955	904955	904956	
904580	904580	904580	904580	904580	

*2" Legrest Extension interferes with caster swivel when seat is in upright position. Seat must be tilted back at least 5 degrees OR Legrests must be elevated to allow caster swivel.
 **Seat to footplate range varies from 5.25" - 18" depending on chair size.
 ***Recommended for full recline.

Trunk Positioning

Price

Neoprene Vest by R82 (Hardware Required)	
<input type="checkbox"/> W: 7" x D: 5.5" x H: 4" (Size 1)	\$262
<input type="checkbox"/> W: 6.5" x D: 9" x H: 6.75" (Size 2)	\$262
<input type="checkbox"/> W: 11.25" x D: 7.75" x H: 7" (Size 3)	\$262
<input type="checkbox"/> R82 Hardware Kit (Required for R82 vest)	N/C
Chest Belt, Upholstered by R82 (Hardware Required)	
<input type="checkbox"/> W: 11.25" x D: 7.5" x H: 9.25-12" (Size 1)	\$354
<input type="checkbox"/> W: 14" X D: 10.25" X H: 10.25-12.75" (Size 2)	\$354
<input type="checkbox"/> W: 16.25" X D: 12.5" X H: 10.25-12.75" (Size 3)	\$354
<input type="checkbox"/> W: 20.25" X D: 16" X H: 11.25-14.5" (Size 4)	\$354
<input type="checkbox"/> R82 Hardware Kit (Required for R82 belt)	N/C
Cross Vest by R82 (Hardware Required)	
<input type="checkbox"/> W: 4.5" X D: .5" X H: 11" (Size 0)	\$249
<input type="checkbox"/> W: 5" X D: .5" X H: 12" (Size 1)	\$249
<input type="checkbox"/> W: 5.2" X D: .5" X H: 12.75" (Size 2)	\$249
<input type="checkbox"/> W: 6.25" X D: 4.75" X H: 15.25" (Size 3)	\$249
<input type="checkbox"/> W: 7.5" X D: 6.75" X H: 18.25" (Size 4)	\$249
<input type="checkbox"/> R82 Hardware Kit (Required for R82 vest)	N/C
Left Width, Height Adj Thoracic Lateral Support - Fixed**	
<input type="checkbox"/> Small - 3" (D) x 4.5 (H)**	\$190
<input type="checkbox"/> Medium - 4.5" (D) x 4.5" (H)**	\$190
<input type="checkbox"/> Large - 5.5" (D) x 4.5" (H)**	\$190
Right Width, Height Adj Thoracic Lateral Support - Fixed**	
<input type="checkbox"/> Small - 3" (D) x 4.5 (H)**	\$190
<input type="checkbox"/> Medium - 4.5" (D) x 4.5" (H)**	\$190
<input type="checkbox"/> Large - 5.5" (D) x 4.5" (H)**	\$190
Left Adj Firm Lateral Trunk Sup - Contoured (Hrdw Req)**	
<input type="checkbox"/> X Small = 4.25"x 3.25**	\$155
<input type="checkbox"/> Medium = 5.5"x 4.25**	\$155
<input type="checkbox"/> Swing Away Adj. Hardware (Required for Firm Laterals)	\$312
Right Adj Firm Lateral Trunk Sup - Contoured (Hrdw Req)**	
<input type="checkbox"/> X Small = 4.25"x 3.25**	\$155
<input type="checkbox"/> Medium = 5.5"x 4.25**	\$155
<input type="checkbox"/> Swing Away Adj. Hardware (Required for Firm Laterals)	\$312

	FL12	FL13	FL14	FL15	FL16
905152	905152	905152	905152	905152	905152
905153	905153	905153	905153	905153	905153
905154	905154	905154	905154	905154	905154
905280	905280	905280	905280	905280	905280
905155	905155	905155	905155	905155	905155
905156	905156	905156	905156	905156	905156
905157	905157	905157	905157	905157	905157
905158	905158	905158	905158	905158	905158
905280	905280	905280	905280	905280	905280
905176	905176	905176	905176	905176	905176
905177	905177	905177	905177	905177	905177
905178	905178	905178	905178	905178	905178
905179	905179	905179	905179	905179	905179
905180	905180	905180	905180	905180	905180
905280	905280	905280	905280	905280	905280
904760	904760	904760	904760	904760	904760
904876	904876	904876	904876	904876	904876
904877	904877	904877	904877	904877	904877
904761	904761	904761	904761	904761	904761
904886	904886	904886	904886	904886	904886
904887	904887	904887	904887	904887	904887
904864	904864	904864	904864	904864	904864
904866	904866	904866	904866	904866	904866
904884	904884	904884	904884	904884	904884
904865	904865	904865	904865	904865	904865
904867	904867	904867	904867	904867	904867
904885	904885	904885	904885	904885	904885

*Pad Size.
 ^Depth of Laterals is reduced by 1.5" with back upholstery.
 **Requires height adjustable solid back system.

Head Supports

Price

<input type="checkbox"/> Adjustable Wing Head Support****	\$347
Anatomic Headrest with Cover by R82 (Requires Headrest Universal Mount & Swing-away Mounting Bracket)	
<input type="checkbox"/> Small	\$334
<input type="checkbox"/> Medium	\$334
R82 Adjustable Width Headrest, Dynamic - Long (Requires Headrest Universal Mount & Swing-away Mounting Bracket)	
<input type="checkbox"/> Adjustable Width Headrest Large Laterals w/Speakers, Dynamic, Black Cover - Long	\$628
<input type="checkbox"/> Adjustable Width Headrest, Large Laterals, Dynamic, Black Cover - Long	\$504
<input type="checkbox"/> Adjustable Width Headrest Two Laterals, Dynamic, Black Cover - Long	\$504
<input type="checkbox"/> Adjustable Width Headrest Four Laterals, Dynamic, Black Cover - Long	\$504
R82 Adjustable Width Headrest, Dynamic - Short (Requires Headrest Universal Mount & Swing-away Mounting Bracket)	
<input type="checkbox"/> Adjustable Width Headrest Large Laterals w/Speakers, Dynamic, Black Cover - Short	\$628
<input type="checkbox"/> Adjustable Width Headrest, Large Laterals, Dynamic, Black Cover - Short	\$504
<input type="checkbox"/> Adjustable Width Headrest Two Laterals, Dynamic, Black Cover - Short	\$504
<input type="checkbox"/> Adjustable Width Headrest Four Laterals, Dynamic, Black Cover - Short	\$504
R82 Adjustable Width Headrest, Non-Dynamic - Long (Requires Headrest Universal Mount & Swing-away Mounting Bracket)	
<input type="checkbox"/> Adjustable Width Headrest Large Laterals w/Speakers, Non-Dynamic, Black Cover - Long	\$530
<input type="checkbox"/> Adjustable Width Headrest, Large Laterals, Non-Dynamic, Black Cover - Long	\$399
<input type="checkbox"/> Adjustable Width Headrest Two Laterals, Non-Dynamic, Black Cover - Long	\$399
<input type="checkbox"/> Adjustable Width Headrest Four Laterals, Non-Dynamic, Black Cover - Long	\$399
R82 Adjustable Width Headrest, Non-Dynamic - Short (Requires Headrest Universal Mount & Swing-away Mounting Bracket)	
<input type="checkbox"/> Adjustable Width Headrest Large Laterals w/Speakers, Non-Dynamic, Black Cover - Short	\$530
<input type="checkbox"/> Adjustable Width Headrest, Large Laterals, Non-Dynamic, Black Cover - Short	\$399
<input type="checkbox"/> Adjustable Width Headrest Two Laterals, Non-Dynamic, Black Cover - Short	\$399
<input type="checkbox"/> Adjustable Width Headrest Four Laterals, Non-Dynamic, Black Cover - Short	\$399
Swing-Away Mounting Bracket - Height, Depth, Angle & Lateral Adjustable by R82 (Required for R82 head supports) (Select One):	
<input type="checkbox"/> Turtle Neck Bar System, Short	\$301
<input type="checkbox"/> Turtle Neck Bar System, Long	\$301
<input type="checkbox"/> Headrest Universal Mount (Accommodates most manufacturer's head supports)****	\$72

	FL12	FL13	FL14	FL15	FL16
904584	904584	904608	904608	904608	
904950	904950	904950	904950	904950	
904951	904951	904951	904951	904951	
905282	905282	905282	905282	905282	
905173	905173	905173	905173	905173	
905288	905288	905288	905288	905288	
905174	905174	905174	905174	905174	
905284	905284	905284	905284	905284	
905286	905286	905286	905286	905286	
905175	905175	905175	905175	905175	
905290	905290	905290	905290	905290	
905281	905281	905281	905281	905281	
905170	905170	905170	905170	905170	
905289	905289	905289	905289	905289	
905291	905291	905291	905291	905291	
905285	905285	905285	905285	905285	
905287	905287	905287	905287	905287	
905172	905172	905172	905172	905172	
905171	905171	905171	905171	905171	
904948	904948	904948	904948	904948	
904947	904947	904947	904947	904947	
904946	904946	904946	904946	904946	

Frame Options

Price

Recline System (80 to 170 degrees) (Manufacturer installation required)	
<input type="checkbox"/> Recline on Flyer 12, 13, 14	\$628
<input type="checkbox"/> Recline on Flyer 15 and 16±	\$628
Flip-up, Height Adjustable, Armrest - Pair (Select option for sizes 12, 13, or 14)*	
<input type="checkbox"/> Height adjustable Flip-Up Armrests (pair) - Short 8.34" Length	\$299
<input type="checkbox"/> Height adjustable Flip-Up Armrests (pair) - Short 8.34" Length	\$0
<input type="checkbox"/> Height adjustable Flip-Up Armrests (pair) - Long 11.34" Length	\$299
<input type="checkbox"/> Height adjustable Flip-Up Armrests (pair) - Long 11.34" Length	\$0

	FL12	FL13	FL14	FL15	FL16
905037	905037	905037			
			905038	905038	
905167	905167	905167			
			905324	905324	
905168	905168	905168			
			905325	905325	

± For FL15 and FL16, use HCPCS code E1225.
 *Flip-up armrest is standard on sizes 15 and 16.

Medical Support Accessories

- IV Pole (height adjustable and collapsible)^{o^^}
- O2 Tank Holder*
- LTV Ventilator Holder
- Ventilator/Suction/Hard Tray
- ^oRequires Rear Anti-Tip Tubes.
- ^{*}Cannot be used during transit.
- ^{^^}Required with medium or tall back canes.

Price
\$196
\$229
\$589
\$589

FL12	FL13	FL14	FL15	FL16
904566	904566	904566	904566	904566
905070	905070	905070	905070	905070
905071	905071	905071	905071	905071
905079	905079	905079	905079	905079

Accessories

Headrest Cover Options (Canopy)

- Headrest Cover (Canopy)^o
- Extended Headrest Cover - No Windows (Canopy)^o
- Extended Headrest Cover - with Windows (Canopy)^o
- Upper Extremity Support Tray (Armrests Required)^{**^}
- Adj. Removable Hardware (Required for Clear Tray)
- Upper Extremity Support Surface (Foam Tray)
- Caster Locks (Manufacturer Installation Required) (ELR recommended to avoid caster & front rigging interference)
- Rear Anti-Tip Tubes
- Under Seat Storage Basket
- Medical Necessity Storage Basket
- ^{**}Cannot be used during transit.
- [^]Armrests required for sizes 12, 13, and 14. Armrest is standard on sizes 15 & 16.
- ^oIV Pole & Canopy Cannot be used simultaneously.

Price
\$299
\$327
\$386
\$144
\$297
\$196
\$123
\$151
\$157
\$386

FL12	FL13	FL14	FL15	FL16
902679	902679	902659	902659	903152
904729	904729	904730	904730	904731
904745	904745	904746	904746	904747
903405	903405	903401	903401	904525
903369	903369	903369	903369	903369
903669	903669	903670	903670	903670
904650	904650	904650	904650	904650
905069	905069	905069	905069	905069
905195	905195	905196	905196	905196
905274	905274	905275	905275	905275

****The Flyer Transit option includes four manufacturer installed black wheelchair transportation anchors. The Flyer Transit model has been crash tested and conforms to RESNA WC19 standards.*

The Convoid Flyer Mobility Base was tested with the Flyer Seating Module equipped with a head support and wheelchair anchored pelvic lap belt. The performance and safety of accessories and/or other seating options not tested by Convoid is unknown, and no warranty or claim about their performance is or can be made.

Transit and Non Transit weight capacity: Back Cane Position 1: 85 lbs/39 kg and Back Cane Position 2-4: 170 lbs/77 kg.

Furthermore, when being transported in a vehicle it is Convoid's position that the wheelchair user transfer from the wheelchair into appropriate vehicle seating during transportation. Please note that at this time, the Department of Transportation has not officially approved any tie-down system for a user while in a wheelchair, therefore Convoid cannot recommend a transit system.

For more information on RESNA WC-19 and WC-20 standards please visit <http://www.rercwts.pitt.edu/WC19.html>.

HCPCS codes are provided for your convenience and are NOT to be considered billing or legal advice. Providers are responsible for insuring that appropriate billing codes are used when submitting claims. Proper use of HCPCS codes does not insure coverage or payment. Contact the appropriate payer for coverage information.

Standard Shipping Rates: Ground \$55 • Expedited \$114 (Expedited shipping includes brokerage service and fee)

2830 California St., Torrance, CA 90503 • 1-844-876-6245, 310-618-0111 • Fax: 310-618-2166

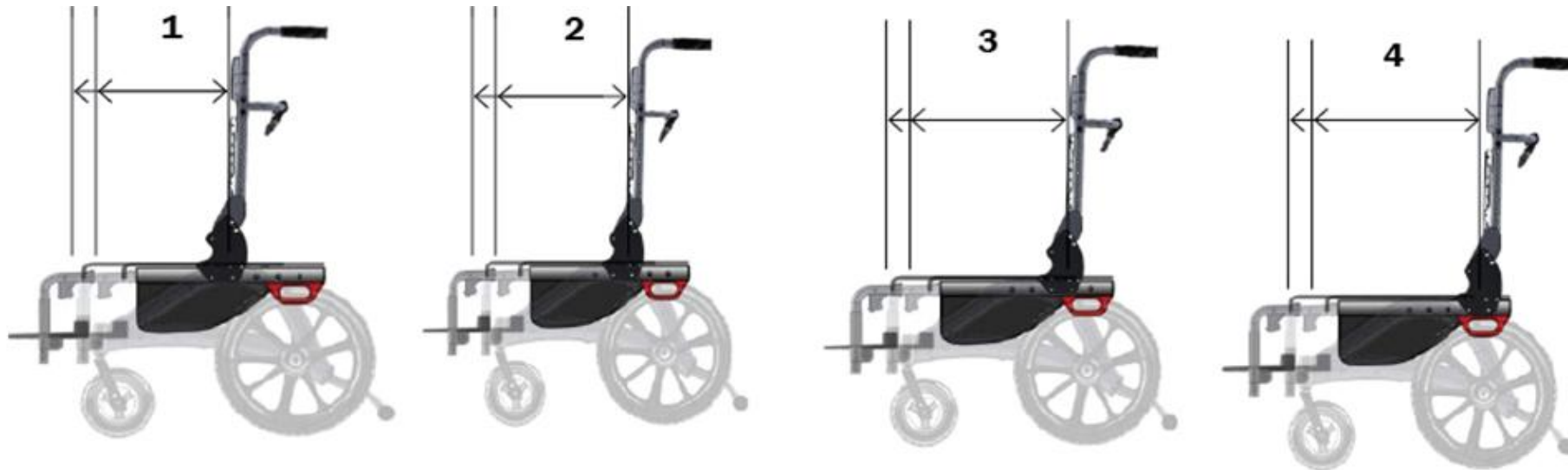
Prices in CAD & subject to change, ex works Torrance, California.

www.convoid.com

Effective: 9/14/2018

Rev 6

Seat Depth Adjustable Positions:



Position Option	1	2	3	4
Seating System Seat Depth Adjustment Range				
Back Canes	11" – 15"	13" – 17"	15" – 19"	17" – 21"
Solid Back*	9.5" – 13.5"	11.5" 15.5"	13.5" – 17.5"	15.5" – 19.5"
<i>*Seat Depth is reduced by 1 1/2" when used with solid back seating system</i>				