

# Convoid Flyer - HCPCS E1233/E1161

## Retail Price List / Order Form

Account #: \_\_\_\_\_

Purchase Order #: \_\_\_\_\_ Date: \_\_\_\_\_

Contact: \_\_\_\_\_

Mark For: \_\_\_\_\_

Bill To:	Ship To:
Address:	Address:
City/State/Zip:	
Phone:	City/State/Zip:
Email:	Phone:

### Flyer Base Standard Features:

- CG Tilt-in-Space (-5° to +40°)
- 30° back angle adjustment ( 80° to 110°)
- Quick Release Rear Wheels
- Single Foot Activated Wheel Lock
- HCPCS code E1161 is only valid on chairs 15" or greater
- 90° Removable, Front Riggings with Fixed Angled Footplate
- Flip-up armrests - Long (Standard on FL15 and FL16)
- Choice of 3 Mobility Base colors
- Choice of One Piece or Two Piece Push Handle
- Choice of three back cane heights
- Made in the USA

#### Standard Models:

<input type="checkbox"/> Flyer Transit FL12T - 905312	<b>Price</b>
<input type="checkbox"/> Flyer Transit FL13T - 905313	<b>\$2,999</b>
<input type="checkbox"/> Flyer Transit FL14T - 905314	<b>\$2,999</b>
<input type="checkbox"/> Flyer Transit FL15T - 905315	<b>\$2,999</b>
<input type="checkbox"/> Flyer Transit FL16T - 905316	<b>\$2,999</b>

#### Frame Colors

- Red  
 Blue  
 Silver

<b>Price</b>
N/C
N/C
N/C

HCPCS	FL12	FL13	FL14	FL15	FL16
	905133	905133	905133	905133	905133
	905134	905134	905134	905134	905134
	905135	905135	905135	905135	905135

#### Seat Depth Range Options (see chart on last page of order form)

- Position 1: 11"-15"  
 Position 2: 13"-17"  
 Position 3: 15"-19"  
 Position 4: 17"- 21"

\*Seat Depth is reduced by 1 1/2" when used with Solid Back System with Cushions and requires tools.

<b>Price</b>
N/C
N/C
N/C
N/C

HCPCS	FL12	FL13	FL14	FL15	FL16
	905197	905197	905197	905197	905197
	905198	905198	905198	905198	905198
	905199	905199	905199	905199	905199
	905200	905200	905200	905200	905200

#### Tire Selection

- 12" Rear Tire, 6" x 2" Front Caster (15" Front Seat to Floor Height)  
 16" Rear Tire, 7.5" x 2" Front Caster (17" Front Seat to Floor Height)

<b>Price</b>
N/C
N/C

HCPCS	FL12	FL13	FL14	FL15	FL16
	905303	905304	905305	905306	905307
	905059	905060	905061	905062	905063

#### Seat Options

- Select One:**  
 Planar Seat Cushion (Includes Solid Seat Pan)\*\*  
 Seat Pan: 12"-16" Width, 4" Depth Growth ^^

\*\*Planar Seat Cushion HCPCS code only applies to pediatric sizes 12, 13, and 14.  
 ^^Needed when using other manufacturer's seat cushion.

<b>Price</b>
\$325
\$150

HCPCS	FL12	FL13	FL14	FL15	FL16
	905083	905084	905085	905086	905087
	905057	905057	905057	905057	905057

#### Back Options

- Back Cane Fixed Heights\* (7/8" diameter)- with Push Handles (Select One):**  
 Short: 19" - (Supports back height range: 13" - 19")\*\*\* (Cannot be used with IV Pole)  
 Medium: 22" - (Supports back height range 13" - 22")\*\*\*  
 Tall: 25" - (Supports back height range 13" - 25")\*\*\*  
 Height adjustable solid back system (13" - 25") with 3 back cushions and front/back covers\*\*\*\*

**Cushion Accent Color (cushion is black, color is for piping along sides) Select One:**

- Royal Blue  
 Forest Green  
 Cherry Red  
 Sassy Purple  
 Princess Pink  
 Panther Black  
 Chocolate Brown  
 Aqua Blue  
 Apple Green

\*\*\*Measured from pan to push handle bend.

\*\*\*\*Height Adjustable Solid Back System w/Back Cushion HCPCS code only applies to pediatric sizes 12, 13, and 14.

<b>Price</b>
N/C
N/C
N/C
\$525
N/C
N/C
N/C
N/C
N/C
N/C
N/C
N/C
N/C
N/C
N/C
N/C

HCPCS	FL12	FL13	FL14	FL15	FL16
	905054	905054	905054	905054	905054
	905055	905055	905055	905055	905055
	905056	905056	905056	905056	905056
	905093	905094	905095	905096	905097
	903850	903850	903850	903850	903850
	903857	903857	903857	903857	903857
	903855	903855	903855	903855	903855
	903851	903851	903851	903851	903851
	903759	903759	903759	903759	903759
	903854	903854	903854	903854	903854
	904189	904189	904189	904189	904189
	904753	904753	904753	904753	904753
	904754	904754	904754	904754	904754

#### Push Handle Option

- Two Piece Push Handle  
 **One-Piece Height Adjustable Push Handle Option (+- 9" height adjustable from back canes height) (Select One):**  
 Outside Mount  
 Inside Mount

<b>Price</b>
N/C
N/C
N/C

905311	905311	905311	905311	905311
905108	905109	905110	905111	905112
905098	905099	905100	905101	905102

#### Transit

- Transit Option (Manufacturer Installation Required)±  
 ±See bottom of order form regarding the specific configuration in which the chair was tested for WC-19.

<b>Price</b>
\$0

HCPCS	FL12	FL13	FL14	FL15	FL16
	905082B	905082B	905082B	905082B	905082B

#### Transit Options

- Q'Straint Transit Lap Belt  
 Sure-Lok Transit Lap Belt

<b>Price</b>
\$90
\$90

HCPCS	FL12	FL13	FL14	FL15	FL16
	903094	903094	903094	903094	903094
	903232	903232	903232	903232	903232

#### Pelvic Positioning

- 2-Point Pelvic Positioning Belt  
 **4-Point Pelvic Positioning Belt by R82 (Hardware Required)**

- W: 9-10.25" X D: 21.5" (Size 0)  
 W: 10.25-11.25" X D: 21.5" (Size 1)  
 W: 12-13.5" X D: 21.5" X H: 19.5" (Size 2)  
 W: 14-15.5" X D: 21.5" X H: 19.5" (Size 3)  
 R82 Hardware (Required for R82 Belt)

**Left Width, Height Adj. Lateral Pelvic Support (Hip Guide)**

- Small - H: 4.5" - 5.5"  
 Large - H: 5.25" - 6.25"

**Right Width, Height Adj. Lateral Pelvic Support (Hip Guide)**

- Small - H: 4.5" - 5.5"  
 Large - H: 5.25" - 6.25"

\*Height is reduced by 2" when used with Cushion.

<b>Price</b>
\$45
\$135
\$135
\$135
\$135
N/C
\$120
\$120
\$120
\$120
\$120

HCPCS	FL12	FL13	FL14	FL15	FL16
	903931	903931	903931	904559	904559
	905148	905148	905148	905148	905148
	905149	905149	905149	905149	905149
	905150	905150	905150	905150	905150
	905151	905151	905151	905151	905151
	905280	905280	905280	905280	905280
	905320	905320	905320	905320	905320
	905322	905322	905322	905322	905322
	905321	905321	905321	905321	905321
	905323	905323	905323	905323	905323

<b>Foot &amp; Leg Positioning</b>		<b>Price</b>	<b>HCPCS</b>	<b>FL12</b>	<b>FL13</b>	<b>FL14</b>	<b>FL15</b>	<b>FL16</b>
<b>Front Riggings (Footplates attach to the Front Riggings)</b>								
<input type="checkbox"/> Angle Adjustable Elevating Leg Rest (ELR) - Pair ***		\$250	K0195	905077	905077	905078	905078	905136
<input type="checkbox"/> Legrest Extension +2** - Pair (ELR Required)		\$55		904095	904095	904096	904096	904097
<b>Footplates</b>								
<input type="checkbox"/> One-Piece Angle Adjustable Footplates (Flip Up and Reversible) (ELR Required)		\$110	K0040	905160	905161	905162	905163	905164
<input type="checkbox"/> One-Piece Fixed Angle Footplates (Flip-up and Reversible Footplate) (ELR Required)		N/C		905072	905073	905074	905075	905076
<input type="checkbox"/> Individual Angle Adjustable Footplates - Pair (Compatible with std fixed front riggings or ELR)		\$179	K0040	905165	905165	905166	905166	905166
<b>Foot Positioners (Pair)</b>								
<input type="checkbox"/> Small 7" - 10"		\$156	K0108	903415	903415	903415	903415	903415
<input type="checkbox"/> Medium 8" - 11"		\$156	K0108	903416	903416	903416	903416	903416
<input type="checkbox"/> Large 9" - 12"		\$156	K0108	903417	903417	903417	903417	903417
<b>Therafin Shoe Holders w/Padded Straps (Pair)</b>								
<input type="checkbox"/> Small		\$188	K0108	904679	904679	904679	904679	904679
<input type="checkbox"/> Medium		\$188	K0108	904680	904680	904680	904680	904680
<input type="checkbox"/> Fully Padded Footbox (one-piece footplate required)		\$325	K0108	904954	904954	904955	904955	904956
<input type="checkbox"/> Calf Panel		\$61		904580	904580	904580	904580	904580

\*2" Legrest Extension interferes with caster swivel when seat is in upright position. Seat must be tilted back at least 5° OR Legrests must be elevated to allow caster swivel.

\*\*Seat to footplate range varies from 5.25" - 18" depending on chair size.

\*\*\*Recommended for full recline.

<b>Trunk Positioning</b>		<b>Price</b>	<b>HCPCS</b>	<b>FL12</b>	<b>FL13</b>	<b>FL14</b>	<b>FL15</b>	<b>FL16</b>
<b>Neoprene Vest by R82 (Hardware Required)</b>								
<input type="checkbox"/> W: 7" x D: 5.5" x H: 4" (Size 1)		\$200	E0960	905152	905152	905152	905152	905152
<input type="checkbox"/> W: 6.5" x D: 9" x H: 6.75" (Size 2)		\$200	E0960	905153	905153	905153	905153	905153
<input type="checkbox"/> W: 11.25" x D: 7.75" x H: 7" (Size 3)		\$200	E0960	905154	905154	905154	905154	905154
<input type="checkbox"/> R82 Hardware Kit (Required for R82 vest)		N/C		905280	905280	905280	905280	905280
<b>Chest Belt, Upholstered by R82 (Hardware Required)</b>								
<input type="checkbox"/> W: 11.25" x D: 7.5" x H: 9.25-12" (Size 1)		\$270	E0960	905155	905155	905155	905155	905155
<input type="checkbox"/> W: 14" X D: 10.25" X H: 10.25-12.75" (Size 2)		\$270	E0960	905156	905156	905156	905156	905156
<input type="checkbox"/> W: 16.25" X D: 12.5" X H: 10.25-12.75" (Size 3)		\$270	E0960	905157	905157	905157	905157	905157
<input type="checkbox"/> W: 20.25" X D: 16" X H: 11.25-14.5" (Size 4)		\$270	E0960	905158	905158	905158	905158	905158
<input type="checkbox"/> R82 Hardware Kit (Required for R82 belt)		N/C		905280	905280	905280	905280	905280
<b>Cross Vest by R82 (Hardware Required)</b>								
<input type="checkbox"/> W: 4.5" X D: .5" X H: 11" (Size 0)		\$190	E0960	905176	905176	905176	905176	905176
<input type="checkbox"/> W: 5" X D: .5" X H: 12" (Size 1)		\$190	E0960	905177	905177	905177	905177	905177
<input type="checkbox"/> W: 5.2" X D: .5" X H: 12.75" (Size 2)		\$190	E0960	905178	905178	905178	905178	905178
<input type="checkbox"/> W: 6.25" X D: 4.75" X H: 15.25" (Size 3)		\$190	E0960	905179	905179	905179	905179	905179
<input type="checkbox"/> W: 7.5" X D: 6.75" X H: 18.25" (Size 4)		\$190	E0960	905180	905180	905180	905180	905180
<input type="checkbox"/> R82 Hardware Kit (Required for R82 vest)		N/C		905280	905280	905280	905280	905280
<b>Left Width, Height Adj Thoracic Lateral Support - Fixed**</b>								
<input type="checkbox"/> Small - 3" (D) x 4.5 (H)**		\$145	E0956	904760	904760	904760	904760	904760
<input type="checkbox"/> Medium - 4.5" (D) x 4.5" (H)**		\$145	E0956	904876	904876	904876	904876	904876
<input type="checkbox"/> Large - 5.5" (D) x 4.5" (H)**		\$145	E0956	904877	904877	904877	904877	904877
<b>Right Width, Height Adj Thoracic Lateral Support - Fixed**</b>								
<input type="checkbox"/> Small - 3" (D) x 4.5 (H)**		\$145	E0956	904761	904761	904761	904761	904761
<input type="checkbox"/> Medium - 4.5" (D) x 4.5" (H)**		\$145	E0956	904886	904886	904886	904886	904886
<input type="checkbox"/> Large - 5.5" (D) x 4.5" (H)**		\$145	E0956	904887	904887	904887	904887	904887
<b>Left Adj Firm Lateral Trunk Sup - Contoured (Hrdw Req)**</b>								
<input type="checkbox"/> X Small = 4.25"x 3.25**		\$118	E0956	904864	904864	904864	904864	904864
<input type="checkbox"/> Medium = 5.5"x 4.25**		\$118	E0956	904866	904866	904866	904866	904866
<input type="checkbox"/> Swing Away Adj. Hardware (Required for Firm Laterals)		\$238	E1028	904884	904884	904884	904884	904884
<b>Right Adj Firm Lateral Trunk Sup - Contoured (Hrdw Req)**</b>								
<input type="checkbox"/> X Small = 4.25"x 3.25**		\$118	E0956	904865	904865	904865	904865	904865
<input type="checkbox"/> Medium = 5.5"x 4.25**		\$118	E0956	904867	904867	904867	904867	904867
<input type="checkbox"/> Swing Away Adj. Hardware (Required for Firm Laterals)		\$238	E1028	904885	904885	904885	904885	904885

\*Pad Size.

^Depth of Laterals is reduced by 1.5" with back upholstery.

\*\*Requires height adjustable solid back system.

<b>Head Supports</b>		<b>Price</b>	<b>HCPCS</b>	<b>FL12</b>	<b>FL13</b>	<b>FL14</b>	<b>FL15</b>	<b>FL16</b>
<input type="checkbox"/> Adjustable Wing Head Support****		\$265	E0955	904584	904584	904608	904608	904608
<b>Anatomic Headrest with Cover by R82 (Requires Headrest Universal Mount &amp; Swing-away Mounting Bracket)</b>								
<input type="checkbox"/> Small		\$255	E0955	904950	904950	904950	904950	904950
<input type="checkbox"/> Medium		\$255	E0955	904951	904951	904951	904951	904951
<b>R82 Adjustable Width Headrest, Dynamic - Long (Requires Headrest Universal Mount &amp; Swing-away Mounting Bracket)</b>								
<input type="checkbox"/> Adjustable Width Headrest Large Laterals w/Speakers, Dynamic, Black Cover - Long		\$480	E0955	905282	905282	905282	905282	905282
<input type="checkbox"/> Adjustable Width Headrest, Large Laterals, Dynamic, Black Cover - Long		\$385	E0955	905173	905173	905173	905173	905173
<input type="checkbox"/> Adjustable Width Headrest Two Laterals, Dynamic, Black Cover - Long		\$385	E0955	905288	905288	905288	905288	905288
<input type="checkbox"/> Adjustable Width Headrest Four Laterals, Dynamic, Black Cover - Long		\$385	E0955	905174	905174	905174	905174	905174
<b>R82 Adjustable Width Headrest, Dynamic - Short (Requires Headrest Universal Mount &amp; Swing-away Mounting Bracket)</b>								
<input type="checkbox"/> Adjustable Width Headrest Large Laterals w/Speakers, Dynamic, Black Cover - Short		\$480	E0955	905284	905284	905284	905284	905284
<input type="checkbox"/> Adjustable Width Headrest, Large Laterals, Dynamic, Black Cover - Short		\$385	E0955	905286	905286	905286	905286	905286
<input type="checkbox"/> Adjustable Width Headrest Two Laterals, Dynamic, Black Cover - Short		\$385	E0955	905175	905175	905175	905175	905175
<input type="checkbox"/> Adjustable Width Headrest Four Laterals, Dynamic, Black Cover - Short		\$385	E0955	905290	905290	905290	905290	905290
<b>R82 Adjustable Width Headrest, Non-Dynamic - Long (Requires Headrest Universal Mount &amp; Swing-away Mounting Bracket)</b>								
<input type="checkbox"/> Adjustable Width Headrest Large Laterals w/Speakers, Non-Dynamic, Black Cover - Long		\$405	E0955	905281	905281	905281	905281	905281
<input type="checkbox"/> Adjustable Width Headrest, Large Laterals, Non-Dynamic, Black Cover - Long		\$305	E0955	905170	905170	905170	905170	905170
<input type="checkbox"/> Adjustable Width Headrest Two Laterals, Non-Dynamic, Black Cover - Long		\$305	E0955	905289	905289	905289	905289	905289
<input type="checkbox"/> Adjustable Width Headrest Four Laterals, Non-Dynamic, Black Cover - Long		\$305	E0955	905291	905291	905291	905291	905291
<b>R82 Adjustable Width Headrest, Non-Dynamic - Short (Requires Headrest Universal Mount &amp; Swing-away Mounting Bracket)</b>								
<input type="checkbox"/> Adjustable Width Headrest Large Laterals w/Speakers, Non-Dynamic, Black Cover - Short		\$405	E0955	905285	905285	905285	905285	905285
<input type="checkbox"/> Adjustable Width Headrest, Large Laterals, Non-Dynamic, Black Cover - Short		\$305	E0955	905287	905287	905287	905287	905287
<input type="checkbox"/> Adjustable Width Headrest Two Laterals, Non-Dynamic, Black Cover - Short		\$305	E0955	905172	905172	905172	905172	905172
<input type="checkbox"/> Adjustable Width Headrest Four Laterals, Non-Dynamic, Black Cover - Short		\$305	E0955	905171	905171	905171	905171	905171
<b>Swing-Away Mounting Bracket - Height, Depth, Angle &amp; Lateral Adjustable by R82 (Required for R82 head supports) (Select One):</b>								
<input type="checkbox"/> Turtle Neck Bar System, Short		\$230	E1028	904948	904948	904948	904948	904948
<input type="checkbox"/> Turtle Neck Bar System, Long		\$230	E1028	904947	904947	904947	904947	904947
<input type="checkbox"/> Headrest Universal Mount (Accommodates most manufacturer's head supports)****		\$55	K0108	904946	904946	904946	904946	904946

\*\*\*\*Requires the Height Adjustable Solid Back System.

<b>Frame Options</b>		<b>Price</b>	<b>HCPCS</b>	<b>FL12</b>	<b>FL13</b>	<b>FL14</b>	<b>FL15</b>	<b>FL16</b>
<b>Recline System (80 to 170 degrees) (Manufacturer installation required)</b>								
<input type="checkbox"/> Recline on Flyer 12, 13, 14		\$480	E1014	905037	905037	905037		
<input type="checkbox"/> Recline on Flyer 15 and 16±		\$480	E1226				905038	905038
<b>Flip-up, Height Adjustable, Armrest - Pair (Select option for sizes 12, 13, or 14)**</b>								
<input type="checkbox"/> Height adjustable Flip-Up Armrests (pair) - Short 8.34" Length		\$228	E0973	905167	905167	905167		
<input type="checkbox"/> Height adjustable Flip-Up Armrests (pair) - Short 8.34" Length		\$0	E1225				905324	905324
<input type="checkbox"/> Height adjustable Flip-Up Armrests (pair) - Long 11.34" Length		\$228	E0973	905168	905168	905168		
<input type="checkbox"/> Height adjustable Flip-Up Armrests (pair) - Long 11.34" Length		\$0	E1225				905325	905325

± For FL15 and FL16, use HCPCS code E1225.

\*\*Flip-up armrest is standard on sizes 15 and 16.

**Medical Support Accessories**

- IV Pole (height adjustable and collapsible)<sup>o^^</sup>
- O2 Tank Holder\*
- LTV Ventilator Holder
- Ventilator/Suction/Hard Tray
- <sup>o</sup>Requires Rear Anti-Tip Tubes.
- <sup>\*</sup>Cannot be used during transit.
- <sup>^^</sup>Required with medium or tall back canes.

Price	HCPCS
\$150	K0105
\$175	E2208
\$450	E1029
\$450	E1029

FL12	FL13	FL14	FL15	FL16
904566	904566	904566	904566	904566
905070	905070	905070	905070	905070
905071	905071	905071	905071	905071
905079	905079	905079	905079	905079

**Accessories**

**Headrest Cover Options (Canopy)**

- Headrest Cover (Canopy)<sup>o</sup>
- Extended Headrest Cover - No Windows (Canopy)<sup>o</sup>
- Extended Headrest Cover - with Windows (Canopy)<sup>o</sup>
- Upper Extremity Support Tray (Armrests Required)<sup>\*\*^</sup>
- Adj. Removable Hardware (Required for Clear Tray)
- Upper Extremity Support Surface (Foam Tray)
- Caster Locks (Manufacturer Installation Required) (ELR recommended to avoid caster & front rigging interference)
- Rear Anti-Tip Tubes
- Under Seat Storage Basket
- Medical Necessity Storage Basket
- <sup>\*\*</sup>Cannot be used during transit.
- <sup>^</sup>Armrests required for sizes 12, 13, and 14. Armrest is standard on sizes 15 & 16.
- <sup>o</sup>IV Pole & Canopy Cannot be used simultaneously.

Price	HCPCS
\$228	K0108
\$250	K0108
\$295	K0108
\$110	E0950
\$227	E1028
\$150	E0950
\$94	K0073
\$115	E0971
\$120	
\$295	

FL12	FL13	FL14	FL15	FL16
902679	902679	902659	902659	903152
904729	904729	904730	904730	904731
904745	904745	904746	904746	904747
903405	903405	903401	903401	904525
903369	903369	903369	903369	903369
903669	903669	903670	903670	903670
904650	904650	904650	904650	904650
905069	905069	905069	905069	905069
905195	905195	905196	905196	905196
905274	905274	905275	905275	905275

\*\*\*The Flyer Transit option includes four manufacturer installed black wheelchair transportation anchors. The Flyer Transit model has been crash tested and conforms to RESNA WC19 standards.

The Convoid Flyer Mobility Base was tested with the Flyer Seating Module equipped with a head support and wheelchair anchored pelvic lap belt. The performance and safety of accessories and/or other seating options not tested by Convoid is unknown, and no warranty or claim about their performance is or can be made.

Transit and Non Transit weight capacity: Back Cane Position 1: 85 lbs/39 kg and Back Cane Position 2-4: 170 lbs/77 kg.

Furthermore, when being transported in a vehicle it is Convoid's position that the wheelchair user transfer from the wheelchair into appropriate vehicle seating during transportation. Please note that at this time, the Department of Transportation has not officially approved any tie-down system for a user while in a wheelchair, therefore Convoid cannot recommend a transit system.

For more information on RESNA WC-19 and WC-20 standards please visit <http://www.rercwts.pitt.edu/WC19.html>.

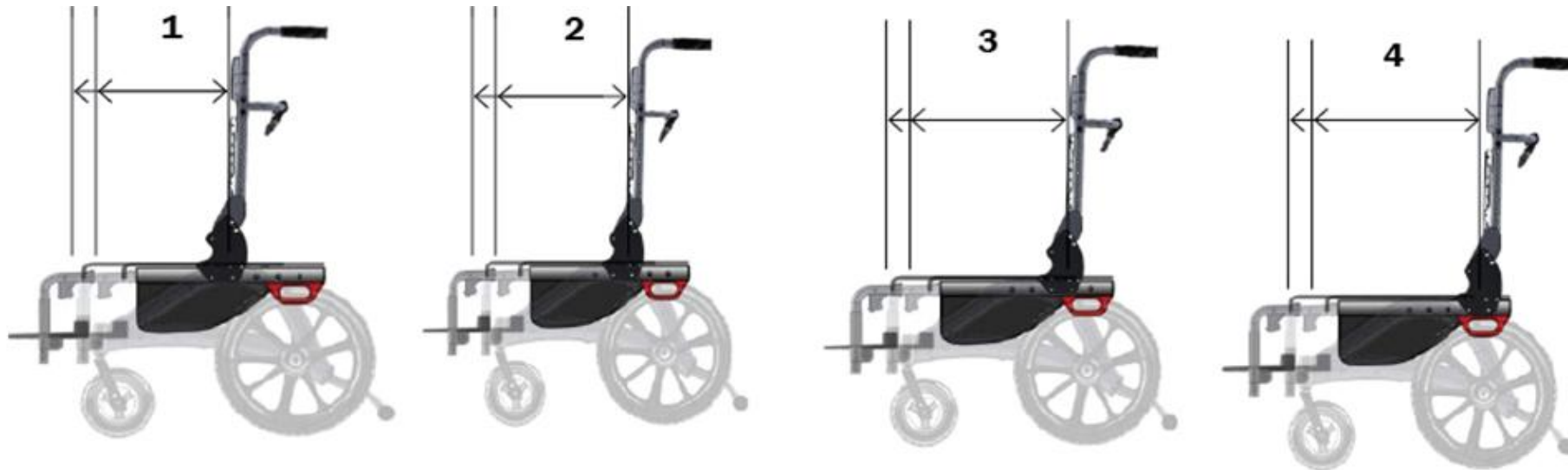
HCPCS codes are provided for your convenience and are NOT to be considered billing or legal advice. Providers are responsible for insuring that appropriate billing codes are used when submitting claims. Proper use of HCPCS codes does not insure coverage or payment. Contact the appropriate payer for coverage information.

**Standard Domestic Shipping Rate: \$40 • For expedited shipping rates, please call 1-844-876-6245**

2830 California St., Torrance, CA 90503 • 1-844-876-6245, 310-618-0111 • Fax: 310-618-2166

Prices in USD & subject to change, ex works Torrance, California.

**Seat Depth Adjustable Positions:**



Position Option	1	2	3	4
<b>Seating System Seat Depth Adjustment Range</b>				
Back Canes	11" – 15"	13" – 17"	15" – 19"	17" – 21"
Solid Back*	9.5" – 13.5"	11.5" 15.5"	13.5" – 17.5"	15.5" – 19.5"
*Seat Depth is reduced by 1 1/2" when used with solid back seating system				