

Convoid Trekker - HCPCS E1234

Canadian Retail Price List / Order Form

Account #: _____

Purchase Order #: _____ Date: _____

Contact: _____

Mark For: _____

Bill To:	Ship To:
Address:	Address:
City/State/Zip:	
Phone:	City/State/Zip:
Email:	Phone:

Trekker Standard Features:

- | | |
|---|--|
| <ul style="list-style-type: none"> ● TR14 Base Accepts TR12 & TR14 Seating ● Tilt-in-Space (-10° to +45°) ● 180° Reversible Seating Configuration ● 90° Fixed Front Rigging ● Single Foot Activated Wheel Lock Bar ● 7.5" x 2" Front and 11.5" x 2.5" Rear Solid Tires ● One Piece Height Adjustable Push Handle (Inside Mount) | <ul style="list-style-type: none"> ● Silver Powder Coated Frame ● 90° Fixed Footplate ● Quick Release Rear Wheels ● Seat to Back Angle (80° to 110°) ● Depth Adjustable Seat Pan ● Made in the USA |
|---|--|

Standard Models:

- Trekker TR14 - 904661

Price
\$3,136

All prices in CAD

Trekker Seating Module

Back Module Options - Select one below:

- | | |
|---|-------|
| <input type="checkbox"/> Back Canes Only (12) ¹ | N/C |
| <input type="checkbox"/> Back Canes Only (14) ¹ | N/C |
| <input type="checkbox"/> Height Adjustable Solid Back with Cushion (12) (Back Height Adjustment Range 13" - 17") ¹ | \$655 |
| <input type="checkbox"/> Height Adjustable Solid Back with Cushion (14) (Back Height Adjustment Range 17" - 25") ¹ | \$655 |

Back Cushion:

- | | |
|---|-----|
| <input type="checkbox"/> Back Cushion - Short (12: 12x18) | N/C |
| <input type="checkbox"/> Back Cushion - Short (14: 14x20) | N/C |
| <input type="checkbox"/> Back Cushion - Tall (14: 14x23) | N/C |

Seating Module Options (See chart on last page of order form):

- | | |
|---|-----|
| <input type="checkbox"/> TR12 Seat Depth Position 1 | \$0 |
| <input type="checkbox"/> TR12 Seat Depth Position 2 | \$0 |
| <input type="checkbox"/> TR12 Seat Depth Position 3 | \$0 |
| <input type="checkbox"/> TR14 Seat Depth Position 1 | \$0 |
| <input type="checkbox"/> TR14 Seat Depth Position 2 | \$0 |
| <input type="checkbox"/> TR14 Seat Depth Position 3 | \$0 |
| <input type="checkbox"/> TR14 Seat Depth Position 4 | \$0 |

Upholstery Color:

- | | |
|--|-----|
| <input type="checkbox"/> Panther Black | N/C |
| <input type="checkbox"/> Royal Blue | N/C |
| <input type="checkbox"/> Chocolate Brown | N/C |
| <input type="checkbox"/> Forest Green | N/C |
| <input type="checkbox"/> Sassy Purple | N/C |
| <input type="checkbox"/> Princess Pink | N/C |
| <input type="checkbox"/> Cherry Red | N/C |
| <input type="checkbox"/> Aqua Blue | N/C |
| <input type="checkbox"/> Apple Green | N/C |

Extra Back Cushion Options*

- | | |
|---|------|
| <input type="checkbox"/> 1" Open Cell Foam Insert Short Back (12) | \$46 |
| <input type="checkbox"/> 1" Open Cell Foam Insert Short Back (14) | \$46 |
| <input type="checkbox"/> 1" Open Cell Foam Insert Tall Back (14) | \$46 |
| <input type="checkbox"/> 1/2" Soft Viscoelastic Foam Insert Short Back (12) | \$85 |
| <input type="checkbox"/> 1/2" Soft Viscoelastic Foam Insert Short Back (14) | \$85 |
| <input type="checkbox"/> 1/2" Soft Viscoelastic Foam Insert Tall Back (14) | \$85 |
| <input type="checkbox"/> Lumbar Support | \$46 |

Contoured Seat Cushion**

- | | |
|---|-------|
| <input type="checkbox"/> Contoured Seat Cushion - Short (12: 12x11) | \$425 |
| <input type="checkbox"/> Contoured Seat Cushion - Short (14: 14x13) | \$425 |
| <input type="checkbox"/> Contoured Seat Cushion - Long (12: 12x14) | \$425 |
| <input type="checkbox"/> Contoured Seat Cushion - Long (14: 14x16) | \$425 |

Planar Seat Cushion**

- | | |
|--|-------|
| <input type="checkbox"/> Planar Seat Cushion - Short (12: 12x12) | \$386 |
| <input type="checkbox"/> Planar Seat Cushion - Short (14: 14x14) | \$386 |
| <input type="checkbox"/> Planar Seat Cushion - Long (12: 12x15) | \$386 |
| <input type="checkbox"/> Planar Seat Cushion - Long (14: 14x17) | \$386 |

Extra Seat Cushion Options*

- | | |
|---|------|
| <input type="checkbox"/> 1" Open Cell Foam Insert Short Seat (Planar Cushion Required) (12) | \$46 |
| <input type="checkbox"/> 1" Open Cell Foam Insert Short Seat (Planar Cushion Required) (14) | \$46 |
| <input type="checkbox"/> 1" Open Cell Foam Insert Long Seat (Planar Cushion Required) (12) | \$46 |
| <input type="checkbox"/> 1" Open Cell Foam Insert Long Seat (Planar Cushion Required) (14) | \$46 |
| <input type="checkbox"/> 1/2" Soft Viscoelastic Foam Insert Short Seat (Planar Cushion Required) (12) | \$79 |
| <input type="checkbox"/> 1/2" Soft Viscoelastic Foam Insert Short Seat (Planar Cushion Required) (14) | \$79 |
| <input type="checkbox"/> 1/2" Soft Viscoelastic Foam Insert Long Seat (Planar Cushion Required) (12) | \$79 |
| <input type="checkbox"/> 1/2" Soft Viscoelastic Foam Insert Long Seat (Planar Cushion Required) (14) | \$79 |

¹Manufacturer Installation Required.

²Fast tab is only added to Cushion if 3-Pt Belt is added. New Cushion is required if 3-Pt Belt is added after-market.

*All seat cushions must have fast tab for aftermarket 3-Pt Belt and H-Harness.

Transit Required Items[^]

- | | |
|--|------------------------------|
| <input type="checkbox"/> Transit Option (Manufacturer Installation Required) | Price
\$261 |
| <input type="checkbox"/> Using other manufacturer's Head Support | \$0 |
- [^]Requires Head Support and Pelvic Positioning Belt

Transit Options

- | | |
|---|------------------------------|
| <input type="checkbox"/> Q'Straint Transit Lap Belt | Price
\$118 |
| <input type="checkbox"/> Sure-Lok Transit Lap Belt | \$118 |

TR14

904768
904769
904662
904663
904696
904698
904699
905354
905355
905356
905357
905358
905359
905360
903854
903850
904189
903857
903851
903759
903855
904753
904754
904700
904704
904705
904702
904706
904707
904664
904780
904781
904782
904783
904708
904710
904709
904711
904712
904716
904713
904717
904714
904718
904715
904719

TR14

904576
995681

TR14

903094
903232

<u>Pelvic Positioning</u>	<u>Price</u>
<input type="checkbox"/> 2-Point Pelvic Positioning Belt (Size 1)	\$59
<input type="checkbox"/> 3-Pt Positioning Belt (Trekker Seat Cushion Required)	\$64
4-Point Pelvic Positioning Belt by R82 (Hardware Required)	
<input type="checkbox"/> W: 9-10.25" X D: 21.5" (Size 0)	\$176
<input type="checkbox"/> W: 10.25-11.25" X D:21.5" (Size 1)	\$176
<input type="checkbox"/> W: 12-13.5" X D: 21.5" X H: 19.5" (Size 2)	\$176
<input type="checkbox"/> W: 14-15.5" X D: 21.5" X H: 19.5" (Size 3)	\$176
<input type="checkbox"/> R82 Hardware Kit (Required for R82 Belt)	N/C
Left Width, Height Adj. Lateral Pelvic Support (Hip Guide w/out Armrest)	
<input type="checkbox"/> Small - 4.5" - 5.5" (H)*	\$158
<input type="checkbox"/> Large - 5.25" - 6.25" (H)*	\$158
Right Width, Height Adj. Lateral Pelvic Support (Hip Guide w/out Armrest)	
<input type="checkbox"/> Small - 4.5" - 5.5" (H)*	\$158
<input type="checkbox"/> Large - 5.25" - 6.25" (H)*	\$158
Left Width, Adj Pelvic Support w/Height Adj. Armrest (Hip Guide w/ Armrest) (n/a w/Tray)	
<input type="checkbox"/> Small - 5"-6"(H) (12)*	\$190
<input type="checkbox"/> Small - 5"-6"(H) (14)*	\$190
<input type="checkbox"/> Large - 7"-8" (H)*	\$190
Right Width, Adj Pelvic Support w/Height Adj. Armrest (Hip Guide w/ Armrest) (n/a w/Tray)	
<input type="checkbox"/> Small - 5"-6"(H) (12)*	\$190
<input type="checkbox"/> Small - 5"-6"(H) (14)*	\$190
<input type="checkbox"/> Large - 7"-8" (H)*	\$190

TR14
903931
904017T
905148
905149
905150
905151
905309
904935
904937
904936
904938
904611
904613
904927
904612
904614
904928

*Height is reduced by 1" when used with Planar Seat Cushion or 2" if used with Contoured Seat Cushion.

<u>Foot & Leg Positioning</u>	<u>Price</u>
<input type="checkbox"/> Angle Adjustable Elevating Leg Rest (90° - 180°) Pair (12) ¹	\$328
<input type="checkbox"/> Angle Adjustable Elevating Leg Rest (90° - 180°) Pair (14) ¹	\$328
<input type="checkbox"/> Individual Angle Adjustable Footplates - Pair (Elevating Leg Rest Required) (12) ¹	\$234
<input type="checkbox"/> Individual Angle Adjustable Footplates - Pair (Elevating Leg Rest Required) (14) ¹	\$234
<input type="checkbox"/> One Piece Angle Adjustable Flip Up Footplate (-15° - +15°) (12)	\$144
<input type="checkbox"/> One Piece Angle Adjustable Flip Up Footplate (-15° - +15°) (14)	\$144
<input type="checkbox"/> Full Padded Footbox (One-Piece Footplate Required) (12)	\$425
<input type="checkbox"/> Full Padded Footbox (One-Piece Footplate Required) (14)	\$425
Medial Knee Abductor	
<input type="checkbox"/> Small	\$212
<input type="checkbox"/> Medium	\$212
Foot Positioners (Pair)**	
<input type="checkbox"/> Small 7" - 10"	\$206
<input type="checkbox"/> Medium 8" - 11"	\$206
<input type="checkbox"/> Large 9" - 12"	\$206
Therafin Shoe Holders w/Padded Straps (Pair)**	
<input type="checkbox"/> Small	\$246
<input type="checkbox"/> Medium	\$246
<input type="checkbox"/> Calf Panel (E.I.) H: 3.5" ^^	\$80
<input type="checkbox"/> Calf Panel (Standard) H: 6"	\$80

TR14
905046
905047
905049
905050
904568
904596
904955
904956
904557
904591
903415
903416
903417
904679
904680
905370
904580

**Cannot be used during transit.

¹Manufacturer Installation Required.

^^Use with Seat-to-Footplate range 4" - 7".

<u>Trunk Positioning</u>	<u>Price</u>
<input type="checkbox"/> H-Harness w/ Padded Covers^^	\$170
Neoprene Vest by R82 (Hardware Required)	
<input type="checkbox"/> W: 7" x D: 5.5" x H: 4" (Size 1)	\$261
<input type="checkbox"/> W: 6.5" x D: 9" x H: 6.75" (Size 2)	\$261
<input type="checkbox"/> W: 11.25" x D: 7.75" x H: 7" (Size 3)	\$261
<input type="checkbox"/> R82 Hardware Kit (Required for R82 Vest)	N/C
Chest Belt, Upholstered by R82 (Hardware Required)	
<input type="checkbox"/> W: 11.25" x D:7.5" x H: 9.25-12" (Size 1)	\$354
<input type="checkbox"/> W: 14" X D: 10.25" X H: 10.25-12.75" (Size 2)	\$354
<input type="checkbox"/> W: 16.25" X D: 12.5" X H: 10.25-12.75" (Size 3)	\$354
<input type="checkbox"/> W: 20.25" X D: 16" X H: 11.25-14.5" (Size 4)	\$354
<input type="checkbox"/> R82 Hardware Kit (Required for R82 Belt)	N/C
Cross Vest by R82 (Hardware Required)	
<input type="checkbox"/> W: 4.5" X D: .5" X H: 11" (Size 0)	\$249
<input type="checkbox"/> W: 5" X D: .5" X H: 12" (Size 1)	\$249
<input type="checkbox"/> W: 5.2" X D: .5" X H: 12.75" (Size 2)	\$249
<input type="checkbox"/> W: 6.25" X D: 4.75" X H: 15.25" (Size 3)	\$249
<input type="checkbox"/> W: 7.5" X D: 6.75" X H: 18.25" (Size 4)	\$249
<input type="checkbox"/> R82 Hardware Kit (Required for R82 Vest)	N/C
Left - Width, Height Adj. Lateral Thoracic Support - Fixed Laterals	
<input type="checkbox"/> Size 1: 4" (D) x 4.5" (H)****^	\$190
<input type="checkbox"/> Size 2: 5" (D) x 4.5" (H)****^	\$190
<input type="checkbox"/> Size 3: 6" (D) x 4.5" (H)****^	\$190
Right - Width, Height Adj. Lateral Thoracic Support - Fixed Laterals	
<input type="checkbox"/> Size 1: 4" (D) x 4.5" (H)****^	\$190
<input type="checkbox"/> Size 2: 5" (D) x 4.5" (H)****^	\$190
<input type="checkbox"/> Size 3: 6" (D) x 4.5" (H)****^	\$190
Left - Height Adj. Lateral Thoracic Support - Swing Away Laterals	
<input type="checkbox"/> Size 1: 4" (D) x 2.75" (H)*	\$154
<input type="checkbox"/> Size 2: 5.75" (D) x 4.25" (H)*	\$154
<input type="checkbox"/> Swing Away Adj. Hardware (Required for S/A Laterals)	\$312
Right - Height Adj. Lateral Thoracic Support - Swing Away Laterals	
<input type="checkbox"/> Size 1: 4" (D) x 2.75" (H)*	\$154
<input type="checkbox"/> Size 2: 5.75" (D) x 4.25" (H)*	\$154
<input type="checkbox"/> Swing Away Adj. Hardware (Required for S/A Laterals)	\$312

TR14
904695
905152
905153
905154
905309
905155
905156
905157
905158
905309
905176
905177
905178
905179
905180
905309
904760
904876
904877
904761
904886
904887
904864
904866
904884
904865
904867
904885

*Pad Size.

^^Requires the Height Adjustable Solid Back System and 3-Pt Belt.

****Requires the Height Adjustable Solid Back System.

^Depth of Laterals is reduced by 1" with back upholstery.

<u>Head Supports</u>		<u>Price</u>	<u>TR14</u>
<input type="checkbox"/>	Height Adjustable Curved Head Support (12)****	\$295	904583
<input type="checkbox"/>	Height Adjustable Curved Head Support (14)****	\$295	904607
<input type="checkbox"/>	Adjustable Wing Head Support (12)****	\$347	904584
<input type="checkbox"/>	Adjustable Wing Head Support (14)****	\$347	904608
Anatomic Headrest with Cover by R82 (Requires Headrest Universal Mount & Swing-Away Mounting Bracket)			
<input type="checkbox"/>	Small	\$334	904950
<input type="checkbox"/>	Medium	\$334	904951
<input type="checkbox"/>	Large	\$334	904952
Swing-Away Mounting Bracket - Height, Depth, Angle & Lateral Adjustable by R82			
<input type="checkbox"/>	Turtle Neck Bar System, Short	\$301	904948
<input type="checkbox"/>	Turtle Neck Bar System, Long	\$301	904947
R82 Adjustable Width Headrest, Dynamic - Long (Requires Headrest Universal Mount & Swing-away Mounting Bracket)			
<input type="checkbox"/>	Adjustable Width Headrest Large Laterals w/Speakers, Dynamic, Black Cover - Long	\$480	905282
<input type="checkbox"/>	Adjustable Width Headrest, Large Laterals, Dynamic, Black Cover - Long	\$385	905173
<input type="checkbox"/>	Adjustable Width Headrest Two Laterals, Dynamic, Black Cover - Long	\$385	905288
<input type="checkbox"/>	Adjustable Width Headrest Four Laterals, Dynamic, Black Cover - Long	\$385	905174
R82 Adjustable Width Headrest, Dynamic - Short (Requires Headrest Universal Mount & Swing-away Mounting Bracket)			
<input type="checkbox"/>	Adjustable Width Headrest Large Laterals w/Speakers, Dynamic, Black Cover - Short	\$629	905284
<input type="checkbox"/>	Adjustable Width Headrest, Large Laterals, Dynamic, Black Cover - Short	\$504	905286
<input type="checkbox"/>	Adjustable Width Headrest Two Laterals, Dynamic, Black Cover - Short	\$504	905175
<input type="checkbox"/>	Adjustable Width Headrest Four Laterals, Dynamic, Black Cover - Short	\$504	905290
R82 Adjustable Width Headrest, Non-Dynamic - Long (Requires Headrest Universal Mount & Swing-away Mounting Bracket)			
<input type="checkbox"/>	Adjustable Width Headrest Large Laterals w/Speakers, Non-Dynamic, Black Cover - Long	\$530	905281
<input type="checkbox"/>	Adjustable Width Headrest, Large Laterals, Non-Dynamic, Black Cover - Long	\$399	905170
<input type="checkbox"/>	Adjustable Width Headrest Two Laterals, Non-Dynamic, Black Cover - Long	\$399	905289
<input type="checkbox"/>	Adjustable Width Headrest Four Laterals, Non-Dynamic, Black Cover - Long	\$399	905291
R82 Adjustable Width Headrest, Non-Dynamic - Short (Requires Headrest Universal Mount & Swing-away Mounting Bracket)			
<input type="checkbox"/>	Adjustable Width Headrest Large Laterals w/Speakers, Non-Dynamic, Black Cover - Short	\$530	905285
<input type="checkbox"/>	Adjustable Width Headrest, Large Laterals, Non-Dynamic, Black Cover - Short	\$399	905287
<input type="checkbox"/>	Adjustable Width Headrest Two Laterals, Non-Dynamic, Black Cover - Short	\$399	905172
<input type="checkbox"/>	Adjustable Width Headrest Four Laterals, Non-Dynamic, Black Cover - Short	\$399	905171
<input type="checkbox"/>	Headrest Universal Mount (R82 Compatible) (Accommodates most manufacturer's head supports)****	\$72	904946

****Requires the Height Adjustable Solid Back System.

<u>Frame Option</u>		<u>Price</u>	<u>TR14</u>
<input type="checkbox"/>	Recline System (80 to 170 degrees) (Manufacturer Installation Required)	\$629	905053
<input type="checkbox"/>	Height Adjustable Push Handle (Outside Mount)	N/C	904688

<u>R82 High-Low:x Frame Options</u>		<u>Price</u>	<u>TR14</u>
<input type="checkbox"/>	R82 High-Low:x sz 1, Manual Lift	\$1,970	905366
<input type="checkbox"/>	R82 High-Low:x sz 2, Manual Lift	\$2,351	905367
<input type="checkbox"/>	Push Brace - Fixed Angle	\$200	905368
<input type="checkbox"/>	Push Brace, Angle Adjustable	\$480	905369
<input type="checkbox"/>	Stingray Seat Module - Interface Adaptor Kit for Trekker Frame*	N/C	905363

*Required with Trekker Frame.

<u>Tire Options</u>		<u>Price</u>	<u>TR14</u>
<input type="checkbox"/>	12.5" x 2" Rear Solid Knobby Tire	\$260	904117
<input type="checkbox"/>	7.5" x 2" Front, 12.5" Rear Pneumatic Knobby Tire	\$392	904118

<u>Medical Support Accessories</u>		<u>Price</u>	<u>TR14</u>
<input type="checkbox"/>	IV Pole (height adjustable and collapsible)°	\$196	904566
<input type="checkbox"/>	O2 Tank Holder**	\$229	904565
<input type="checkbox"/>	LTV Ventilator Holder 1	\$589	904671
<input type="checkbox"/>	Ventilator/Suction/Hard Tray	\$589	904595

°Requires Rear Anti-Tip Tubes.

**Cannot be used during transit.

1Manufacturer Installation Required.

<u>Accessories</u>		<u>Price</u>	<u>TR14</u>
Headrest Cover Options (Canopy)			
<input type="checkbox"/>	Headrest Cover (Canopy) (12)	\$298	904572
<input type="checkbox"/>	Headrest Cover (Canopy) (14)	\$298	904599
<input type="checkbox"/>	Extended Headrest Cover - No Windows (Canopy) (12)	\$334	904690
<input type="checkbox"/>	Extended Headrest Cover - No Windows (Canopy) (14)	\$334	904691
<input type="checkbox"/>	Extended Headrest Cover - with Windows (Canopy) (12)	\$386	904573
<input type="checkbox"/>	Extended Headrest Cover - with Windows (Canopy) (14)	\$386	904600
<input type="checkbox"/>	Upper Extremity Support Tray (Clear Tray) (Hardware Required) (12)*^°°°	\$144	904556
<input type="checkbox"/>	Upper Extremity Support Tray (Clear Tray) (Hardware Required) (14)*^°°°	\$144	904590
<input type="checkbox"/>	Adj Removable Hardware (Required for Clear Tray)	\$297	905361
<input type="checkbox"/>	Padded Tray Cover*°°° (Clear Tray Required) (12)	\$85	904586
<input type="checkbox"/>	Padded Tray Cover*°°° (Clear Tray Required) (14)	\$85	904610
<input type="checkbox"/>	Curb Tipper	\$128	905310
<input type="checkbox"/>	Caster Locks (Manufacturer Installation Required)	\$123	904689
<input type="checkbox"/>	Rear Anti-Tip Tubes	\$150	904649
<input type="checkbox"/>	Under Seat Storage Basket (14)	\$158	904605
<input type="checkbox"/>	Medical Necessity Storage Basket (14)	\$386	904606
<input type="checkbox"/>	Utility Bag	\$49	904531
<input type="checkbox"/>	Rain Cover (Headrest Cover Required) (12)	\$229	904790
<input type="checkbox"/>	Rain Cover (Headrest Cover Required) (14)	\$229	904791
<input type="checkbox"/>	Mosquito Net (Headrest Cover Required) (12)	\$196	904788
<input type="checkbox"/>	Mosquito Net (Headrest Cover Required) (14)	\$196	904789

*Cannot be used during transit.

^Not available with arm rests.

***The Trekker Transit option includes four manufacturer installed red wheelchair transportation anchors. The Trekker Transit model has been crash tested and conforms to RESNA WC19 standards. Anthropomorphic Test Device weights are TR12T 75lbs/34kg and TR14T 110lbs/50kg.

The Convoid Trekker Mobility Base was tested with the Trekker Seating Module equipped with a head support and wheelchair anchored pelvic lap belt. Do not use the foot positioners on the Convoid Trekker during transit in a motor vehicle. The performance and safety of accessories and/or other seating options not tested by Convoid is unknown, and no warranty or claim about their performance is or can being made.

Furthermore, when being transported in a vehicle it is Convoid's position that the wheelchair user transfer from the wheelchair into appropriate vehicle seating during transportation. Please note that at this time, the Department of Transportation has not officially approved any tie-down system for a user while in a wheelchair, therefore Convoid cannot recommend a transit system.

For more information on RESNA WC-19 and WC-20 standards please visit <http://www.rrcwts.pitt.edu/WC19.html>.

HCPCS codes are provided for your convenience and are NOT to be considered billing or legal advice. Providers are responsible for insuring that appropriate billing codes are used when submitting claims. Proper use of HCPCS codes does not insure coverage or payment. Contact the appropriate payer for coverage information.

Standard Shipping Rates: Ground \$55 • Expedited \$114 (Expedited shipping includes brokerage service and fee)

2830 California St., Torrance, CA 90503 • 1-844-876-6245, 310-618-0111 • Fax: 310-618-2166

Prices in CAD & subject to change, ex works Torrance, California.

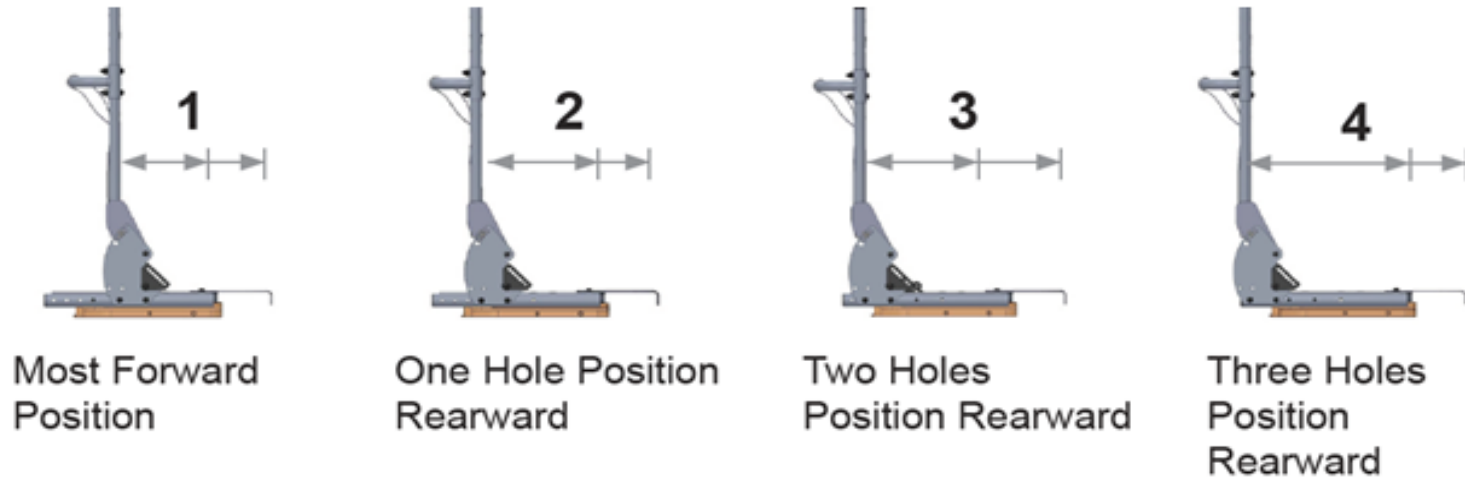
Effective: 12/6/2018

www.convoid.com

Rev 9

Seat Depth Adjustable Positions:

Seat Depth Growth				
Position:	1	2	3	4
TR12:	7.5" to 9.5"	9.5" to 11.5"	11.5" to 13.5"	N/A
TR14:	9.5" to 11.5"	11.5" to 13.5"	13.5" to 15.5"	14.5" to 16.5"



Seating Module Specifications:

Convaid Trekker Seating Module Specifications

Seat width with accessories	TR 12 (Size 1)	TR 14 (Size 2)
Trunk width between fixed laterals	8.5-12"	10.5-14"
Trunk width between swing-away laterals	6.5-12"	8.5-14"
Hip width between hip guides without armrest	6-11.5"	6.5-14"
Hip width between hip guides with armrest	6.25-11.5"	6.5-14"
Seat to footplate dimensions	TR 12 (Size 1)	TR 14 (Size 2)
Fixed 90° with one piece footplate	5.5-11.5"	5.5-11.5"
Fixed 90° with one piece footplate (flipped)	3.25-9.25"	3.25-9.25"
ELR with one piece footplate	4.75-10.75"	6.25-12.25"
ELR with one piece footplate (flipped)	2-8"	4.25-10.25"
ELR with individual footplates	5-11"	7-13"
ELR with individual footplates (flipped)	2-5"	4-7"