

Convoid Flyer

Canadian Retail Price List / Order Form

Account #: _____

Purchase Order #: _____ Date: _____

Contact: _____

Mark For: _____

Bill To:	Ship To:
Address:	Address:
City/State/Zip:	
Phone:	City/State/Zip:
Email:	Phone:

Flyer Base Standard Features:

- CG Tilt-in-Space (-5° to +40°)
- 30° back angle adjustment (80° to 110°)
- Fixed Rear Wheels
- Single Foot Activated Wheel Lock
- HCPCS code E1161 is only valid on chairs 15" or greater
- 90° Removable, Front Riggings with Fixed Angled Footplate
- Flip-up armrests - Long (Standard on FL15 and FL16)
- Choice of 3 Mobility Base colors
- Choice of One Piece or Two Piece Push Handle
- Choice of three back cane heights
- Made in the USA

Standard Models:

- | | |
|--|----------------|
| <input type="checkbox"/> Flyer FL12 - 905088 | Price |
| <input type="checkbox"/> Flyer FL13 - 905089 | \$3,665 |
| <input type="checkbox"/> Flyer FL14 - 905090 | \$3,665 |
| <input type="checkbox"/> Flyer FL15 - 905091 | \$3,665 |
| <input type="checkbox"/> Flyer FL16 - 905092 | \$3,665 |

All prices in CAD

- Frame Colors**
- Red
 Blue
 Silver

	FL12	FL13	FL14	FL15	FL16
Price	N/C	N/C	N/C	N/C	N/C
905133	905133	905133	905133	905133	905133
905134	905134	905134	905134	905134	905134
905135	905135	905135	905135	905135	905135

Seat Depth Range Options (see chart on last page of order form)

- Position 1: 11"-15"
 Position 2: 13"-17"
 Position 3: 15"-19"
 Position 4: 17"- 21"

*Seat Depth is reduced by 1 1/2" when used with Solid Back System with Cushions and requires tools.

	FL12	FL13	FL14	FL15	FL16
Price	N/C	N/C	N/C	N/C	N/C
905197	905197	905197	905197	905197	905197
905198	905198	905198	905198	905198	905198
905199	905199	905199	905199	905199	905199
905200	905200	905200	905200	905200	905200

Tire Selection

- 12" Rear Tire, 6" x 2" Front Caster (15" Front Seat to Floor Height)

Select One:

- 12" Rear Fixed Wheels
 12" Quick Release Rear Wheels

- 16" Rear Tire, 7.5" x 2" Front Caster (17" Front Seat to Floor Height)

Select One:

- 16" Rear Fixed Wheels
 16" Quick Release Rear Wheels

	FL12	FL13	FL14	FL15	FL16
Price	N/C	N/C	N/C	N/C	N/C
905303	905304	905305	905306	905307	
905384	905384	905384	905384	905384	
905387	905387	905387	905387	905387	
905059	905060	905061	905062	905063	
905385	905385	905385	905385	905385	
905388	905388	905388	905388	905388	

Seat Options

Select One:

- Planar Seat Cushion (Includes Solid Seat Pan)**
 Seat Pan: 12"-16" Width, 4" Depth Growth ^^

**Planar Seat Cushion HCPCS code only applies to pediatric sizes 12, 13, and 14.

^^Needed when using other manufacturer's seat cushion.

	FL12	FL13	FL14	FL15	FL16
Price	\$426	\$426	\$426	\$426	\$426
905083	905084	905085	905086	905087	
905057	905057	905057	905057	905057	

Back Options

Back Cane Fixed Heights* (7/8" diameter)- with Push Handles (Select One):

- Short: 19" - (Supports back height range: 13" - 19")*** (Cannot be used with IV Pole)
 Medium: 22" - (Supports back height range 13" - 22")***
 Tall: 25" - (Supports back height range 13" - 25")***

- Height adjustable solid back system (13" - 25") with 3 back cushions and front/back covers****

- Back Pans (4 Pieces)

Cushion Accent Color (cushion is black, color is for piping along sides) Select One:

- Royal Blue
 Forest Green
 Cherry Red
 Sassy Purple
 Princess Pink
 Panther Black
 Chocolate Brown
 Aqua Blue
 Apple Green

***Measured from pan to push handle bend.

***Height Adjustable Solid Back System w/Back Cushion HCPCS code only applies to pediatric sizes 12, 13, and 14.

	FL12	FL13	FL14	FL15	FL16
Price	N/C	N/C	N/C	N/C	N/C
905054	905054	905054	905054	905054	905054
905055	905055	905055	905055	905055	905055
905056	905056	905056	905056	905056	905056
905093	905094	905095	905096	905097	
905058	905058	905058	905058	905058	
903850	903850	903850	903850	903850	
903857	903857	903857	903857	903857	
903855	903855	903855	903855	903855	
903851	903851	903851	903851	903851	
903759	903759	903759	903759	903759	
903854	903854	903854	903854	903854	
904189	904189	904189	904189	904189	
904753	904753	904753	904753	904753	
904754	904754	904754	904754	904754	

Push Handle Option

One-Piece Height Adjustable Push Handle Option (+- 9" height adjustable from back canes height) (Select One):

- Outside Mount
 Inside Mount

	FL12	FL13	FL14	FL15	FL16
Price	N/C	N/C	N/C	N/C	N/C
905108	905109	905110	905111	905112	
905098	905099	905100	905101	905102	

Transit

- Transit Option (Manufacturer Installation Required)±

±See bottom of order form regarding the specific configuration in which the chair was tested for WC-19.

	FL12	FL13	FL14	FL15	FL16
Price	\$262	\$262	\$262	\$262	\$262
905082	905082	905082	905082	905082	905082

Transit Options

- Q'Straint Transit Lap Belt
 Sure-Lok Transit Lap Belt

	FL12	FL13	FL14	FL15	FL16
Price	\$118	\$118	\$118	\$118	\$118
903094	903094	903094	903094	903094	903094
903232	903232	903232	903232	903232	903232

Pelvic Positioning

- 2-Point Pelvic Positioning Belt

4-Point Pelvic Positioning Belt by R82 (Camlock Kit and Seat Pan Required)

- W: 9-10.25" X D: 21.5" (Size 0)
 W: 10.25-11.25" X D:21.5" (Size 1)
 W: 12-13.5" X D: 21.5" X H: 19.5" (Size 2)
 W: 14-15.5" X D: 21.5" X H: 19.5" (Size 3)
 Camlock Kit for 4-Point Belt

Left Width, Height Adj. Lateral Pelvic Support (Hip Guide)

- Small - H: 4.5" - 5.5"
 Large - H: 5.25" - 6.25"

Right Width, Height Adj. Lateral Pelvic Support (Hip Guide)

- Small - H: 4.5" - 5.5"
 Large - H: 5.25" - 6.25"

Medial Thigh Support

- Size 1 (2.6" front width, 4.1" depth, 2" back width, 2.7" height)
 Size 2 (3.3" front width, 5" depth, 2.3" back width, 2.9" height)
 Size 3 (4" front width, 6" depth, 3" back width, 3" height)

*Height is reduced by 2" when used with Cushion.

	FL12	FL13	FL14	FL15	FL16
Price	\$59	\$59	\$59	\$59	\$59
903931	903931	903931	904559	904559	
905148	905148	905148	905148	905148	
905149	905149	905149	905149	905149	
905150	905150	905150	905150	905150	
905151	905151	905151	905151	905151	
905393	905393	905393	905393	905393	
905320	905320	905320	905320	905320	
905322	905322	905322	905322	905322	
905321	905321	905321	905321	905321	
905323	905323	905323	905323	905323	
905389	905389	905389	905389	905389	
905390	905390	905390	905390	905390	
905391	905391	905391	905391	905391	

Foot & Leg Positioning

Front Riggings (Footplates attach to the Front Riggings)	Price
<input type="checkbox"/> Angle Adjustable Elevating Leg Rest (ELR) - Pair ***	\$327
<input type="checkbox"/> Legrest Extension +2" - Pair (ELR Required)	\$72
Footplates	
<input type="checkbox"/> One-Piece Angle Adjustable Footplates (Flip Up and Reversible) (ELR Required)	\$144
<input type="checkbox"/> One-Piece Fixed Angle Footplates (Flip-up and Reversible Footplate) (ELR Required)	N/C
<input type="checkbox"/> Individual Angle Adjustable Footplates - Pair (Compatible with std fixed front riggings or ELR)	\$234
Foot Positioners (Pair)	
<input type="checkbox"/> Small 7" - 10"	\$204
<input type="checkbox"/> Medium 8" - 11"	\$204
<input type="checkbox"/> Large 9" - 12"	\$204
Therapin Shoe Holders w/Padded Straps (Pair)	
<input type="checkbox"/> Small	\$246
<input type="checkbox"/> Medium	\$246
<input type="checkbox"/> Fully Padded Footbox (one-piece footplate required)	\$426
<input type="checkbox"/> Calf Panel	\$80

	FL12	FL13	FL14	FL15	FL16
905077	905077	905078	905078	905136	
904095	904095	904096	904096	904097	
905160	905161	905162	905163	905164	
905072	905073	905074	905075	905076	
905165	905165	905166	905166	905166	
903415	903415	903415	903415	903415	
903416	903416	903416	903416	903416	
903417	903417	903417	903417	903417	
904679	904679	904679	904679	904679	
904680	904680	904680	904680	904680	
904954	904954	904955	904955	904956	
904580	904580	904580	904580	904580	

*2" Legrest Extension interferes with caster swivel when seat is in upright position. Seat must be tilted back at least 5° OR Legrests must be elevated to allow caster swivel.
 **Seat to footplate range varies from 5.25" - 18" depending on chair size.
 ***Recommended for full recline.

Trunk Positioning

Neoprene Vest by R82 (Camlock Kit and Back Pan Required)	Price
<input type="checkbox"/> W: 7" x D: 5.5" x H: 4" (Size 1)	\$262
<input type="checkbox"/> W: 6.5" x D: 9" x H: 6.75" (Size 2)	\$262
<input type="checkbox"/> W: 11.25" x D: 7.75" x H: 7" (Size 3)	\$262
<input type="checkbox"/> Camlock Kit for Vest	N/C
Chest Belt, Upholstered by R82 (Camlock Kit and Back Pan Required)	
<input type="checkbox"/> W: 11.25" x D: 7.5" x H: 9.25-12" (Size 1)	\$354
<input type="checkbox"/> W: 14" X D: 10.25" X H: 10.25-12.75" (Size 2)	\$354
<input type="checkbox"/> W: 16.25" X D: 12.5" X H: 10.25-12.75" (Size 3)	\$354
<input type="checkbox"/> W: 20.25" X D: 16" X H: 11.25-14.5" (Size 4)	\$354
<input type="checkbox"/> Camlock Kit for Vest	N/C
Cross Vest by R82 (Camlock Kit and Back Pan Required)	
<input type="checkbox"/> W: 4.5" X D: .5" X H: 11" (Size 0)	\$249
<input type="checkbox"/> W: 5" X D: .5" X H: 12" (Size 1)	\$249
<input type="checkbox"/> W: 5.2" X D: .5" X H: 12.75" (Size 2)	\$249
<input type="checkbox"/> W: 6.25" X D: 4.75" X H: 15.25" (Size 3)	\$249
<input type="checkbox"/> W: 7.5" X D: 6.75" X H: 18.25" (Size 4)	\$249
<input type="checkbox"/> Camlock Kit for Vest	N/C
Left Width, Height Adj Thoracic Lateral Support - Fixed**	
<input type="checkbox"/> Small - 3" (D) x 4.5" (H)^A	\$190
<input type="checkbox"/> Medium - 4.5" (D) x 4.5" (H)^A	\$190
<input type="checkbox"/> Large - 5.5" (D) x 4.5" (H)^A	\$190
Right Width, Height Adj Thoracic Lateral Support - Fixed**	
<input type="checkbox"/> Small - 3" (D) x 4.5" (H)^A	\$190
<input type="checkbox"/> Medium - 4.5" (D) x 4.5" (H)^A	\$190
<input type="checkbox"/> Large - 5.5" (D) x 4.5" (H)^A	\$190
Left Adj Firm Lateral Trunk Sup - Contoured (Hrdw Req)**	
<input type="checkbox"/> X Small = 4.25" x 3.25"	\$155
<input type="checkbox"/> Medium = 5.5" x 4.25"	\$155
<input type="checkbox"/> Swing Away Adj. Hardware (Required for Firm Laterals)	\$312
Right Adj Firm Lateral Trunk Sup - Contoured (Hrdw Req)**	
<input type="checkbox"/> X Small = 4.25" x 3.25"	\$155
<input type="checkbox"/> Medium = 5.5" x 4.25"	\$155
<input type="checkbox"/> Swing Away Adj. Hardware (Required for Firm Laterals)	\$312
Swing-Away Lateral Support Bracket by R82 (Hrdw Req)	
<input type="checkbox"/> Swing-Away Lateral Support Bracket, Right (Ea.)	\$295
<input type="checkbox"/> Swing-Away Lateral Support Bracket, Left (Ea.)	\$295
Swing-Away Lateral Support Bar, Straight	
<input type="checkbox"/> Bar, Straight 4¾", Right (Ea.)	\$0
<input type="checkbox"/> Bar, Straight 4¾", Left (Ea.)	\$0
Swing-Away Hardware	
<input type="checkbox"/> Bar, Offset, 1" 4¾", Right (Ea.)	\$0
<input type="checkbox"/> Bar, Offset, 1" 4¾", Left (Ea.)	\$0
<input type="checkbox"/> Bar, Offset 1¾", Right (Ea.)	\$0
<input type="checkbox"/> Bar, Offset 1¾", Left (Ea.)	\$0
<input type="checkbox"/> Bar, Offset 2½", Right (Ea.)	\$0
<input type="checkbox"/> Bar, Offset 2½", Left (Ea.)	\$0
Swing-Away Lateral Support Curved Cushion (Ea.)	
<input type="checkbox"/> Curved Cushion 3½" x 7½", Right (Ea.)	\$137
<input type="checkbox"/> Curved Cushion 3½" x 7½", Left (Ea.)	\$137
<input type="checkbox"/> Curved Cushion 2½" x 6¾", Right (Ea.)	\$137
<input type="checkbox"/> Curved Cushion 2½" x 6¾", Left (Ea.)	\$137
<input type="checkbox"/> Curved Cushion 2½" x 6", Right (Ea.)	\$137
<input type="checkbox"/> Curved Cushion 2½" x 6", Left (Ea.)	\$137
Swing-Away Lateral Support Standard Cushion (Ea.)	
<input type="checkbox"/> Standard Cushion 4" x 4", Right (Ea.)	\$137
<input type="checkbox"/> Standard Cushion 4" x 4", Left (Ea.)	\$137
<input type="checkbox"/> Standard Cushion 2¾" x 6¾", Right (Ea.)	\$137
<input type="checkbox"/> Standard Cushion 2¾" x 6¾", Left (Ea.)	\$137
<input type="checkbox"/> Protective Cushion for Laterals, Black (Pr.)	\$120

	FL12	FL13	FL14	FL15	FL16
905152	905152	905152	905152	905152	
905153	905153	905153	905153	905153	
905154	905154	905154	905154	905154	
905326	905326	905326	905326	905326	
905155	905155	905155	905155	905155	
905156	905156	905156	905156	905156	
905157	905157	905157	905157	905157	
905158	905158	905158	905158	905158	
905326	905326	905326	905326	905326	
905176	905176	905176	905176	905176	
905177	905177	905177	905177	905177	
905178	905178	905178	905178	905178	
905179	905179	905179	905179	905179	
905180	905180	905180	905180	905180	
905326	905326	905326	905326	905326	
904760	904760	904760	904760	904760	
904876	904876	904876	904876	904876	
904877	904877	904877	904877	904877	
904761	904761	904761	904761	904761	
904886	904886	904886	904886	904886	
904887	904887	904887	904887	904887	
904864	904864	904864	904864	904864	
904866	904866	904866	904866	904866	
904884	904884	904884	904884	904884	
904865	904865	904865	904865	904865	
904867	904867	904867	904867	904867	
904885	904885	904885	904885	904885	
905338	905338	905338	905338	905338	
905337	905337	905337	905337	905337	
905327	905327	905327	905327	905327	
905327	905327	905327	905327	905327	
905328	905328	905328	905328	905328	
905328	905328	905328	905328	905328	
905329	905329	905329	905329	905329	
905329	905329	905329	905329	905329	
905330	905330	905330	905330	905330	
905330	905330	905330	905330	905330	
905331	905331	905331	905331	905331	
905331	905331	905331	905331	905331	
905332	905332	905332	905332	905332	
905332	905332	905332	905332	905332	
905333	905333	905333	905333	905333	
905333	905333	905333	905333	905333	
905334	905334	905334	905334	905334	
905334	905334	905334	905334	905334	
905335	905335	905335	905335	905335	
905335	905335	905335	905335	905335	
905336	905336	905336	905336	905336	

*Pad Size.
 ^Depth of Laterals is reduced by 1.5" with back upholstery.
 **Requires height adjustable solid back system.

Head Supports

<input type="checkbox"/> Adjustable Wing Head Support****	Price
Anatomic Headrest with Cover by R82 (Requires Headrest Universal Mount & Swing-away Mounting Bracket)	\$347
<input type="checkbox"/> Small	\$334
<input type="checkbox"/> Medium	\$334
R82 Adjustable Width Headrest, Dynamic - Long (Requires Headrest Universal Mount & Swing-away Mounting Bracket)	
<input type="checkbox"/> Adjustable Width Headrest Large Laterals w/Speakers, Dynamic, Black Cover - Long	\$628
<input type="checkbox"/> Adjustable Width Headrest, Large Laterals, Dynamic, Black Cover - Long	\$504
<input type="checkbox"/> Adjustable Width Headrest Two Laterals, Dynamic, Black Cover - Long	\$504
<input type="checkbox"/> Adjustable Width Headrest Four Laterals, Dynamic, Black Cover - Long	\$504
R82 Adjustable Width Headrest, Dynamic - Short (Requires Headrest Universal Mount & Swing-away Mounting Bracket)	
<input type="checkbox"/> Adjustable Width Headrest Large Laterals w/Speakers, Dynamic, Black Cover - Short	\$628
<input type="checkbox"/> Adjustable Width Headrest, Large Laterals, Dynamic, Black Cover - Short	\$504
<input type="checkbox"/> Adjustable Width Headrest Two Laterals, Dynamic, Black Cover - Short	\$504
<input type="checkbox"/> Adjustable Width Headrest Four Laterals, Dynamic, Black Cover - Short	\$504
R82 Adjustable Width Headrest, Non-Dynamic - Long (Requires Headrest Universal Mount & Swing-away Mounting Bracket)	
<input type="checkbox"/> Adjustable Width Headrest Large Laterals w/Speakers, Non-Dynamic, Black Cover - Long	\$530
<input type="checkbox"/> Adjustable Width Headrest, Large Laterals, Non-Dynamic, Black Cover - Long	\$399
<input type="checkbox"/> Adjustable Width Headrest Two Laterals, Non-Dynamic, Black Cover - Long	\$399
<input type="checkbox"/> Adjustable Width Headrest Four Laterals, Non-Dynamic, Black Cover - Long	\$399
R82 Adjustable Width Headrest, Non-Dynamic - Short (Requires Headrest Universal Mount & Swing-away Mounting Bracket)	
<input type="checkbox"/> Adjustable Width Headrest Large Laterals w/Speakers, Non-Dynamic, Black Cover - Short	\$530
<input type="checkbox"/> Adjustable Width Headrest, Large Laterals, Non-Dynamic, Black Cover - Short	\$399
<input type="checkbox"/> Adjustable Width Headrest Two Laterals, Non-Dynamic, Black Cover - Short	\$399
<input type="checkbox"/> Adjustable Width Headrest Four Laterals, Non-Dynamic, Black Cover - Short	\$399
Swing-Away Mounting Bracket - Height, Depth, Angle & Lateral Adjustable by R82 (Required for R82 head supports) (Select One):	
<input type="checkbox"/> Turtle Neck Bar System, Short	\$301
<input type="checkbox"/> Turtle Neck Bar System, Long	\$301
<input type="checkbox"/> Headrest Universal Mount (Accommodates most manufacturer's head supports)****	\$72

	FL12	FL13	FL14	FL15	FL16
904584	904584	904608	904608	904608	
904950	904950	904950	904950	904950	
904951	904951	904951	904951	904951	
905282	905282	905282	905282	905282	
905173	905173	905173	905173	905173	
905288	905288	905288	905288	905288	
905174	905174	905174	905174	905174	
905284	905284	905284	905284	905284	
905286	905286	905286	905286	905286	
905175	905175	905175	905175	905175	
905290	905290	905290	905290	905290	
905281	905281	905281	905281	905281	
905170	905170	905170	905170	905170	
905289	905289	905289	905289	905289	
905291	905291	905291	905291	905291	
905285	905285	905285	905285	905285	
905287	905287	905287	905287	905287	
905172	905172	905172	905172	905172	
905171	905171	905171	905171	905171	
904948	904948	904948	904948	904948	
904947	904947	904947	904947	904947	
904946	904946	904946	904946	904946	

****Requires the Height Adjustable Solid Back System.

Frame Options

Recline System (80 to 130 degrees) (Manufacturer installation required)

- Recline on Flyer 12, 13, 14
- Recline on Flyer 15 and 16±

Flip-up, Height Adjustable, Armrest - Pair (Select option for sizes 12, 13, or 14)*

- Height adjustable Flip-Up Armrests (pair) - Short 8.34" Length
- Height adjustable Flip-Up Armrests (pair) - Short 8.34" Length
- Height adjustable Flip-Up Armrests (pair) - Long 11.34" Length
- Height adjustable Flip-Up Armrests (pair) - Long 11.34" Length

Removable Adjustable, Armrest - Pair

- Height Adjustable Removable Armrests (pair) - Short 9.00" Length
- Height Adjustable Removable Armrests (pair) - Long 11.00" Length

± For FL15 and FL16, use HCPCS code E1225.

*Flip-up armrest is standard on sizes 15 and 16.

Medical Support Accessories

- IV Pole (height adjustable and collapsible)°^^
 - O2 Tank Holder*
 - LTV Ventilator Holder
 - Ventilator/Suction/Hard Tray
- °Requires Rear Anti-Tip Tubes.
*Cannot be used during transit.
^^Required with medium or tall back canes.

Accessories

Headrest Cover Options (Canopy)

- Headrest Cover (Canopy)²
- Extended Headrest Cover - No Windows (Canopy)²
- Extended Headrest Cover - with Windows (Canopy)²
- Upper Extremity Support Tray (Armrests Required)**^
- Adj. Removable Hardware (Required for Clear Tray)
- Upper Extremity Support Tray (Removable Armrests) Size 1
- Upper Extremity Support Tray (Removable Armrests) Size 2
- Upper Extremity Support Tray (Removable Armrests) Size 3
- Adj. Removable Hardware (Required for Clear Tray) (Removable Armrests)
- Upper Extremity Support Surface (Foam Tray)
- Curb Tipper
- Caster Locks (Manufacturer Installation Required) (ELR recommended to avoid caster & front rigging interference)
- Rear Anti-Tip Tubes
- Under Seat Storage Basket
- Medical Necessity Storage Basket

**Cannot be used during transit.

²Armrests required for sizes 12, 13, and 14. Armrest is standard on sizes 15 & 16.

°IV Pole & Canopy Cannot be used simultaneously.

***The Flyer Transit option includes four manufacturer installed black wheelchair transportation anchors. The Flyer Transit model has been crash tested and conforms to RESNA WC19 standards.

The Convoid Flyer Mobility Base was tested with the Flyer Seating Module equipped with a head support and wheelchair anchored pelvic lap belt. The performance and safety of accessories and/or other seating options not tested by Convoid is unknown, and no warranty or claim about their performance is or can be made.

Transit and Non Transit weight capacity: Back Cane Position 1: 85 lbs/39 kg and Back Cane Position 2-4: 145 lbs/66 kg.

Furthermore, when being transported in a vehicle it is Convoid's position that the wheelchair user transfer from the wheelchair into appropriate vehicle seating during transportation. Please note that at this time, the Department of Transportation has not officially approved any tie-down system for a user while in a wheelchair, therefore Convoid cannot recommend a transit system.

For more information on RESNA WC-19 and WC-20 standards please visit <http://www.nercwtts.pitt.edu/WC19.html>.

HCPCS codes are provided for your convenience and are NOT to be considered billing or legal advice. Providers are responsible for insuring that appropriate billing codes are used when submitting claims. Proper use of HCPCS codes does not insure coverage or payment. Contact the appropriate payer for coverage information.

Standard Shipping Rates: Ground \$55 • Expedited \$114 (Expedited shipping includes brokerage service and fee)

2830 California St., Torrance, CA 90503 • 1-844-876-6245, 310-618-0111 • Fax: 310-618-2166

Prices in CAD & subject to change, ex works Torrance, California.

Effective: 5/10/2019

Price

\$628

\$628

\$299

\$0

\$299

\$0

\$380

\$380

	FL12	FL13	FL14	FL15	FL16
	905185	905185	905185		
				905186	905186
	905167	905167	905167		
				905324	905324
	905168	905168	905168		
				905325	905325
	905396	905396	905396	905396	905396
	905397	905397	905397	905397	905397

Price

\$196

\$229

\$589

\$589

	FL12	FL13	FL14	FL15	FL16
	904566	904566	904566	904566	904566
	905070	905070	905070	905070	905070
	905071	905071	905071	905071	905071
	905079	905079	905079	905079	905079

Price

\$299

\$327

\$386

\$144

\$297

\$209

\$209

\$209

\$209

\$242

\$196

\$128

\$123

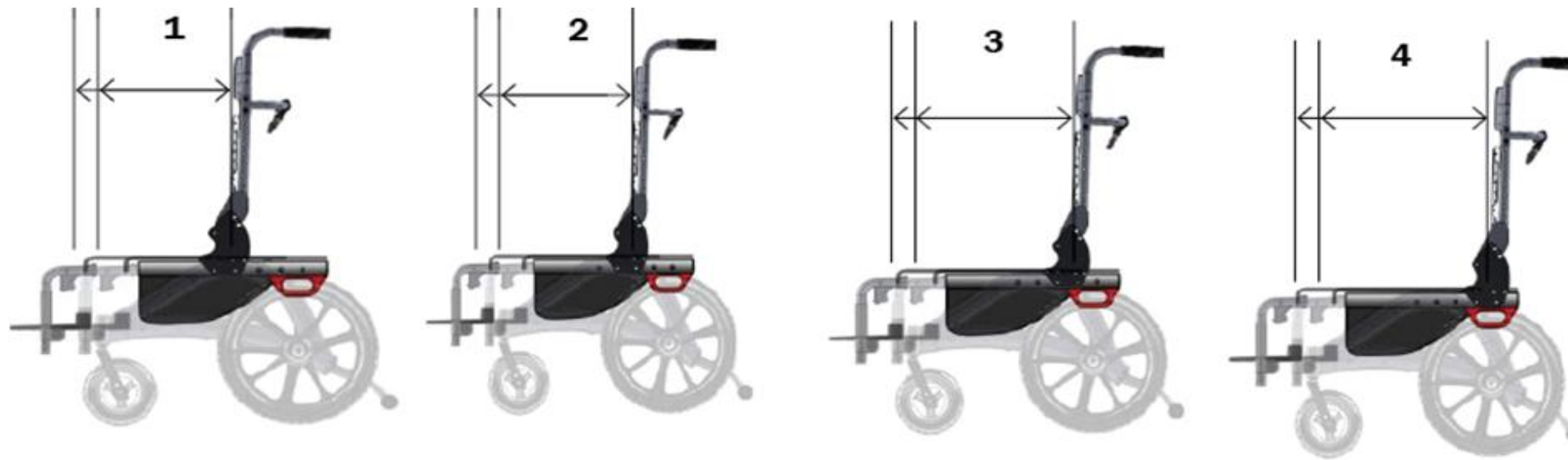
\$151

\$157

\$386

	FL12	FL13	FL14	FL15	FL16
	902679	902679	902659	902659	903152
	904729	904729	904730	904730	904731
	904745	904745	904746	904746	904747
	903405	903405	903401	903401	904525
	903369	903369	903369	903369	903369
	905398	905398	905398		
		905399	905399	9053999	
			905400	905400	905400
	905401	905401	905401	905401	905401
	903669	903669	903670	903670	903670
	905365	905365	905365	905365	905365
	904650	904650	904650	904650	904650
	905069	905069	905069	905069	905069
	905195	905195	905196	905196	905196
	905274	905274	905275	905275	905275

Seat Depth Adjustable Positions:



Position Option	1	2	3	4
Seating System Seat Depth Adjustment Range				
Back Canes	11" – 15"	13" – 17"	15" – 19"	17" – 21"
Solid Back*	9.5" – 13.5"	11.5" 15.5"	13.5" – 17.5"	15.5" – 19.5"

*Seat Depth is reduced by 1 1/2" when used with solid back seating system

Footplate Dimensions:

Seat to Footplate Dimensions	Mounting	12" Flyer	13" Flyer	14" Flyer
One-Piece Angle Adjustable Footplates	Flip-Up	9in-14in	9in-14in	11in-16in
	Reversible	5.25in-11.25in	5.25in-11.25in	7.25in-13.25in
One-Piece Fixed Angle Footplates	Flip-Up	9in-14in	9in-14in	11in-16in
	Reversible	5.25in-11.25in	5.25in-11.25in	7.25in-13.25in
Individual Angle Adjustable Footplates - Pair	Flip-Up	7in-13in	7in-13in	9.5in-15.5in
	Reversible	4.5in-9.25in	4.25in-11in	4.25in-11in

Height Adjustable Removable Armrest Length:

Recommended Height Adjustable Removable Armrest Length per Seat Depth Position				
	Seat Depth Position 1	Seat Depth Position 2	Seat Depth Position 3	Seat Depth Position 4
Height Adjustable Removable Armrest - Short 9.00" Length	●	●		
Height Adjustable Removable Armrest - Short 9.00" Length			●	●