

Convoid Flyer - HCPCS E1233/E1161

Retail Price List / Order Form

Account #: _____

Purchase Order #: _____ Date: _____

Contact: _____

Mark For: _____

Bill To:	Ship To:
Address:	Address:
City/State/Zip:	
Phone:	City/State/Zip:
Email:	Phone:

Flyer Base Standard Features:

- CG Tilt-in-Space (-5° to +40°)
- 30° back angle adjustment (80° to 110°)
- Fixed Rear Wheels
- Single Foot Activated Wheel Lock
- HCPCS code E1161 is only valid on chairs 15" or greater
- 90° Removable, Front Riggings with Fixed Angled Footplate

- Flip-up armrests - Long (Standard on FL15 and FL16)
- Choice of 3 Mobility Base colors
- Choice of One Piece or Two Piece Push Handle
- Choice of three back cane heights
- Made in the USA

Standard Models:

- Flyer FL12 - 905088
- Flyer FL13 - 905089
- Flyer FL14 - 905090
- Flyer FL15 - 905091
- Flyer FL16 - 905092

Price

- \$2,799
- \$2,799
- \$2,799
- \$2,799
- \$2,799

- Red
- Blue
- Silver

Frame Colors

Price

- N/C
- N/C
- N/C

HCPCS

FL12	FL13	FL14	FL15	FL16
905133	905133	905133	905133	905133
905134	905134	905134	905134	905134
905135	905135	905135	905135	905135

- Position 1: 11"-15"
- Position 2: 13"-17"
- Position 3: 15"-19"
- Position 4: 17"- 21"

Seat Depth Range Options (see chart on last page of order form)

Price

- N/C
- N/C
- N/C
- N/C

HCPCS

FL12	FL13	FL14	FL15	FL16
905197	905197	905197	905197	905197
905198	905198	905198	905198	905198
905199	905199	905199	905199	905199
905200	905200	905200	905200	905200

*Seat Depth is reduced by 1 1/2" when used with Solid Back System with Cushions and requires tools.

Tire Selection

- 12" Rear Tire, 6" x 2" Front Caster (15" Front Seat to Floor Height)

Select One:

- 12" Rear Fixed Wheels
- 12" Quick Release Rear Wheels

- 16" Rear Tire, 7.5" x 2" Front Caster (17" Front Seat to Floor Height)

Select One:

- 16" Rear Fixed Wheels
- 16" Quick Release Rear Wheels

Price

- N/C

HCPCS

FL12	FL13	FL14	FL15	FL16
905303	905304	905305	905306	905307
905384	905384	905384	905384	905384
905387	905387	905387	905387	905387
905059	905060	905061	905062	905063
905385	905385	905385	905385	905385
905388	905388	905388	905388	905388

Seat Options

Select One:

- Planar Seat Cushion (Includes Solid Seat Pan)**
- Seat Pan: 12"-16" Width, 4" Depth Growth ^^

**Planar Seat Cushion HCPCS code only applies to pediatric sizes 12, 13, and 14.

^^Needed when using other manufacturer's seat cushion.

Price

- \$325
- \$150

HCPCS

FL12	FL13	FL14	FL15	FL16
905083	905084	905085	905086	905087
905057	905057	905057	905057	905057

Back Options

Back Cane Fixed Heights* (7/8" diameter)- with Push Handles (Select One):

- Short: 19" - (Supports back height range: 13" - 19")*** (Cannot be used with IV Pole)
- Medium: 22" - (Supports back height range 13" - 22")***
- Tall: 25" - (Supports back height range 13" - 25")***

- Height adjustable solid back system (13" - 25") with 3 back cushions and front/back covers****

- Back Pans (4 Pieces)

Cushion Accent Color (cushion is black, color is for piping along sides) Select One:

- Royal Blue
- Forest Green
- Cherry Red
- Sassy Purple
- Princess Pink
- Panther Black
- Chocolate Brown
- Aqua Blue
- Apple Green

***Measured from pan to push handle bend.

***Height Adjustable Solid Back System w/Back Cushion HCPCS code only applies to pediatric sizes 12, 13, and 14.

Price

- N/C
- N/C
- N/C
- N/C
- \$525
- \$150
- N/C
- N/C
- N/C
- N/C
- N/C
- N/C
- N/C
- N/C

HCPCS

FL12	FL13	FL14	FL15	FL16
905054	905054	905054	905054	905054
905055	905055	905055	905055	905055
905056	905056	905056	905056	905056
905093	905094	905095	905096	905097
905058	905058	905058	905058	905058
903850	903850	903850	903850	903850
903857	903857	903857	903857	903857
903855	903855	903855	903855	903855
903851	903851	903851	903851	903851
903759	903759	903759	903759	903759
903854	903854	903854	903854	903854
904189	904189	904189	904189	904189
904753	904753	904753	904753	904753
904754	904754	904754	904754	904754

Push Handle Option

- Two Piece Push Handle

One-Piece Height Adjustable Push Handle Option (+- 9" height adjustable from back canes height) (Select One):

- Outside Mount
- Inside Mount

Price

- N/C
- N/C
- N/C

905311	905311	905311	905311	905311
905108	905109	905110	905111	905112
905098	905099	905100	905101	905102

Transit

- Transit Option (Manufacturer Installation Required)±

±See bottom of order form regarding the specific configuration in which the chair was tested for WC-19.

Price

- \$200

HCPCS

FL12	FL13	FL14	FL15	FL16
905082	905082	905082	905082	905082

Transit Options

- Q'Straint Transit Lap Belt
- Sure-Lok Transit Lap Belt

Price

- \$90
- \$90

HCPCS

FL12	FL13	FL14	FL15	FL16
903094	903094	903094	903094	903094
903232	903232	903232	903232	903232

Pelvic Positioning

- 2-Point Pelvic Positioning Belt

4-Point Pelvic Positioning Belt by R82 (Camlock Kit and Seat Pan Required)

- W: 9-10.25" X D: 21.5" (Size 0)
- W: 10.25-11.25" X D:21.5" (Size 1)
- W: 12-13.5" X D: 21.5" X H: 19.5" (Size 2)
- W: 14-15.5" X D: 21.5" X H: 19.5" (Size 3)
- Camlock Kit for 4-Point Belt

Left Width, Height Adj. Lateral Pelvic Support (Hip Guide)

- Small - H: 4.5" - 5.5"
- Large - H: 5.25" - 6.25"

Right Width, Height Adj. Lateral Pelvic Support (Hip Guide)

- Small - H: 4.5" - 5.5"
- Large - H: 5.25" - 6.25"

Medial Thigh Support

- Size 1 (2.6" front width, 4.1" depth, 2" back width, 2.7" height)
- Size 2 (3.3" front width, 5" depth, 2.3" back width, 2.9" height)
- Size 3 (4" front width, 6" depth, 3" back width, 3" height)

*Height is reduced by 2" when used with Cushion.

Price

- \$45
- \$135
- \$135
- \$135
- \$135
- N/C
- \$120
- \$120
- \$120
- \$120
- \$162
- \$162
- \$162

HCPCS

FL12	FL13	FL14	FL15	FL16
903931	903931	903931	904559	904559
905148	905148	905148	905148	905148
905149	905149	905149	905149	905149
905150	905150	905150	905150	905150
905151	905151	905151	905151	905151
905393	905393	905393	905393	905393
905320	905320	905320	905320	905320
905322	905322	905322	905322	905322
905321	905321	905321	905321	905321
905323	905323	905323	905323	905323
905389	905389	905389	905389	905389
905390	905390	905390	905390	905390
905391	905391	905391	905391	905391

Frame Options

Recline System (80 to 170 degrees) (Manufacturer installation required)

- Recline on Flyer 12, 13, 14
- Recline on Flyer 15 and 16±

Flip-up, Height Adjustable, Armrest - Pair (Select option for sizes 12, 13, or 14)*

- Height adjustable Flip-Up Armrests (pair) - Short 8.34" Length
- Height adjustable Flip-Up Armrests (pair) - Short 8.34" Length
- Height adjustable Flip-Up Armrests (pair) - Long 11.34" Length
- Height adjustable Flip-Up Armrests (pair) - Long 11.34" Length

Removable Adjustable, Armrest - Pair

- Height Adjustable Removable Armrests (pair) - Short 9.00" Length
- Height Adjustable Removable Armrests (pair) - Long 11.00" Length

± For FL15 and FL16, use HCPCS code E1225.

*Flip-up armrest is standard on sizes 15 and 16.

Price	HCPCS	FL12	FL13	FL14	FL15	FL16
\$480	E1014	905037	905037	905037		
\$480	E1226				905038	905038
\$228	E0973	905167	905167	905167		
\$0	E1225				905324	905324
\$228	E0973	905168	905168	905168		
\$0	E1225				905325	905325
\$290	E0973	905396	905396	905396	905396	905396
\$290	E0973	905397	905397	905397	905397	905397

Medical Support Accessories

- IV Pole (height adjustable and collapsible)°^^
 - O2 Tank Holder*
 - LTV Ventilator Holder
 - Ventilator/Suction/Hard Tray
- °Requires Rear Anti-Tip Tubes.
*Cannot be used during transit.
^^Required with medium or tall back canes.

Price	HCPCS	FL12	FL13	FL14	FL15	FL16
\$150	K0105	904566	904566	904566	904566	904566
\$175	E2208	905070	905070	905070	905070	905070
\$450	E1029	905071	905071	905071	905071	905071
\$450	E1029	905079	905079	905079	905079	905079

Accessories

Headrest Cover Options (Canopy)

- Headrest Cover (Canopy)²
- Extended Headrest Cover - No Windows (Canopy)²
- Extended Headrest Cover - with Windows (Canopy)²
- Upper Extremity Support Tray (Flip-Up Armrests)***^
- Adj. Removable Hardware (Required for Clear Tray) (Flip-Up Armrests)
- Upper Extremity Support Tray (Removable Armrests) Size 1
- Upper Extremity Support Tray (Removable Armrests) Size 2
- Upper Extremity Support Tray (Removable Armrests) Size 3
- Adj. Removable Hardware (Required for Clear Tray) (Removable Armrests)
- Upper Extremity Support Surface (Foam Tray)
- Curb Tipper
- Caster Locks (Manufacturer Installation Required) (ELR recommended to avoid caster & front rigging interference)
- Rear Anti-Tip Tubes
- Under Seat Storage Basket
- Medical Necessity Storage Basket

**Cannot be used during transit.

^Armrests required for sizes 12, 13, and 14. Armrest is standard on sizes 15 & 16.

°IV Pole & Canopy Cannot be used simultaneously.

Price	HCPCS	FL12	FL13	FL14	FL15	FL16
\$228	K0108	902679	902679	902659	902659	903152
\$250	K0108	904729	904729	904730	904730	904731
\$295	K0108	904745	904745	904746	904746	904747
\$110	E0950	903405	903405	903401	903401	904525
\$227	E1028	903369	903369	903369	903369	903369
\$160	E0950	905398	905398	905398		
\$160	E0950		905399	905399	9053999	
\$160	E0950			905400	905400	905400
\$185	E1028	905401	905401	905401	905401	905401
\$150	E0950	903669	903669	903670	903670	903670
\$98		905365	905365	905365	905365	905365
\$94	K0073	904650	904650	904650	904650	904650
\$115	E0971	905069	905069	905069	905069	905069
\$120		905195	905195	905196	905196	905196
\$295		905274	905274	905275	905275	905275

***The Flyer Transit option includes four manufacturer installed black wheelchair transportation anchors. The Flyer Transit model has been crash tested and conforms to RESNA WC19 standards.

The Convoid Flyer Mobility Base was tested with the Flyer Seating Module equipped with a head support and wheelchair anchored pelvic lap belt. The performance and safety of accessories and/or other seating options not tested by Convoid is unknown, and no warranty or claim about their performance is or can being made.

Transit and Non Transit weight capacity: Back Cane Position 1: 85 lbs/39 kg and Back Cane Position 2-4: 170 lbs/77 kg.

Furthermore, when being transported in a vehicle it is Convoid's position that the wheelchair user transfer from the wheelchair into appropriate vehicle seating during transportation. Please note that at this time, the Department of Transportation has not officially approved any tie-down system for a user while in a wheelchair, therefore Convoid cannot recommend a transit system.

For more information on RESNA WC-19 and WC-20 standards please visit <http://www.ercwts.pitt.edu/WC19.html>.

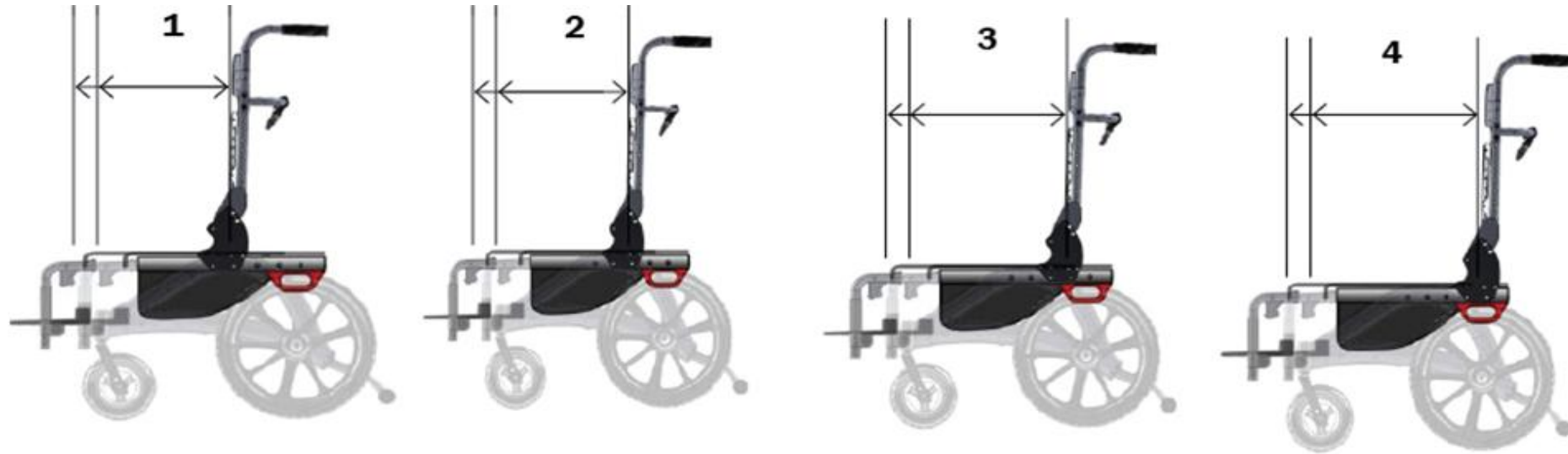
HCPCS codes are provided for your convenience and are NOT to be considered billing or legal advice. Providers are responsible for insuring that appropriate billing codes are used when submitting claims. Proper use of HCPCS codes does not insure coverage or payment. Contact the appropriate payer for coverage information.

Standard Domestic Shipping Rate: \$40 • For expedited shipping rates, please call 1-844-876-6245

2830 California St., Torrance, CA 90503 • 1-844-876-6245, 310-618-0111 • Fax: 310-618-2166

Prices in USD & subject to change, ex works Torrance, California.

Seat Depth Adjustable Positions:



Position Option	1	2	3	4
Seating System Seat Depth Adjustment Range				
Back Canes	11" – 15"	13" – 17"	15" – 19"	17" – 21"
Solid Back*	9.5" – 13.5"	11.5" 15.5"	13.5" – 17.5"	15.5" – 19.5"

*Seat Depth is reduced by 1 1/2" when used with solid back seating system

Footplate Dimensions:

Seat to Footplate Dimensions	Mounting	12" Flyer	13" Flyer	14" Flyer
One-Piece Angle Adjustable Footplates	Flip-Up	9in-14in	9in-14in	11in-16in
	Reversible	5.25in-11.25in	5.25in-11.25in	7.25in-13.25in
One-Piece Fixed Angle Footplates	Flip-Up	9in-14in	9in-14in	11in-16in
	Reversible	5.25in-11.25in	5.25in-11.25in	7.25in-13.25in
Individual Angle Adjustable Footplates - Pair	Flip-Up	7in-13in	7in-13in	9.5in-15.5in
	Reversible	4.5in-9.25in	4.25in-11in	4.25in-11in

Height Adjustable Removable Armrest Length:

Recommended Height Adjustable Removable Armrest Length per Seat Depth Position				
	Seat Depth Position 1	Seat Depth Position 2	Seat Depth Position 3	Seat Depth Position 4
Height Adjustable Removable Armrest - Short 9.00" Length	●	●		
Height Adjustable Removable Armrest - Short 9.00" Length			●	●