

# Convoid Flyer - HCPCS E1233/E1161

## Retail Price List / Order Form

Account #: \_\_\_\_\_

Purchase Order #: \_\_\_\_\_ Date: \_\_\_\_\_

Contact: \_\_\_\_\_

Mark For: \_\_\_\_\_

Bill To:	Ship To:
Address:	Address:
City/State/Zip:	
Phone:	City/State/Zip:
Email:	Phone:

### Flyer Base Standard Features:

- |   |   |
|---|---|
| <ul style="list-style-type: none"> <li>● CG Tilt-in-Space (-5° to +40°)</li> <li>● 30° back angle adjustment ( 80° to 110°)</li> <li>● Fixed Rear Wheels</li> <li>● Single Foot Activated Wheel Lock</li> <li>● HCPCS code E1161 is only valid on chairs 15" or greater</li> <li>● 90° Removable, Front Riggings with Fixed Angled Footplate</li> </ul> | <ul style="list-style-type: none"> <li>● Flip-up armrests - Long (Standard on FL15 and FL16)</li> <li>● Choice of 3 Mobility Base colors</li> <li>● Choice of One Piece or Two Piece Push Handle</li> <li>● Choice of three back cane heights</li> <li>● Made in the USA</li> </ul> |
|---|---|

#### Standard Models:

	Price
<input type="checkbox"/> Flyer Transit FL12T - 905312	\$2,999
<input type="checkbox"/> Flyer Transit FL13T - 905313	\$2,999
<input type="checkbox"/> Flyer Transit FL14T - 905314	\$2,999
<input type="checkbox"/> Flyer Transit FL15T - 905315	\$2,999
<input type="checkbox"/> Flyer Transit FL16T - 905316	\$2,999

- Red  
 Blue  
 Silver

#### Frame Colors

Price	HCPCS	FL12	FL13	FL14	FL15	FL16
N/C		905133	905133	905133	905133	905133
N/C		905134	905134	905134	905134	905134
N/C		905135	905135	905135	905135	905135

#### Seat Depth Range Options (see chart on last page of order form)

- Position 1: 11"-15"  
 Position 2: 13"-17"  
 Position 3: 15"-19"  
 Position 4: 17"- 21"

\*Seat Depth is reduced by 1 1/2" when used with Solid Back System with Cushions and requires tools.

Price	HCPCS	FL12	FL13	FL14	FL15	FL16
N/C		905197	905197	905197	905197	905197
N/C		905198	905198	905198	905198	905198
N/C		905199	905199	905199	905199	905199
N/C		905200	905200	905200	905200	905200

#### Tire Selection

- 12" Rear Tire, 6" x 2" Front Caster (15" Front Seat to Floor Height)

##### Select One:

- 12" Rear Fixed Wheels  
 12" Quick Release Rear Wheels

- 16" Rear Tire, 7.5" x 2" Front Caster (17" Front Seat to Floor Height)

##### Select One:

- 16" Rear Fixed Wheels  
 16" Quick Release Rear Wheels

Price	HCPCS	FL12	FL13	FL14	FL15	FL16
N/C		905303	905304	905305	905306	905307
N/C		905384	905384	905384	905384	905384
N/C		905387	905387	905387	905387	905387
N/C		905059	905060	905061	905062	905063
N/C		905385	905385	905385	905385	905385
N/C		905388	905388	905388	905388	905388

#### Seat Options

##### Select One:

- Planar Seat Cushion (Includes Solid Seat Pan)\*\*  
 Seat Pan: 12"-16" Width, 4" Depth Growth ^^

\*\*Planar Seat Cushion HCPCS code only applies to pediatric sizes 12, 13, and 14.

^^Needed when using other manufacturer's seat cushion.

Price	HCPCS	FL12	FL13	FL14	FL15	FL16
\$325	E2292	905083	905084	905085	905086	905087
\$150	E2231	905057	905057	905057	905057	905057

#### Back Options

##### Back Cane Fixed Heights\* (7/8" diameter)- with Push Handles (Select One):

- Short: 19" - (Supports back height range: 13" - 19")\*\*\* (Cannot be used with IV Pole)  
 Medium: 22" - (Supports back height range 13" - 22")\*\*\*  
 Tall: 25" - (Supports back height range 13" - 25")\*\*\*

- Height adjustable solid back system (13" - 25") with 3 back cushions and front/back covers\*\*\*\*

- Back Pans (4 Pieces)

##### Cushion Accent Color (cushion is black, color is for piping along sides) Select One:

- Royal Blue  
 Forest Green  
 Cherry Red  
 Sassy Purple  
 Princess Pink  
 Panther Black  
 Chocolate Brown  
 Aqua Blue  
 Apple Green

\*\*\*Measured from pan to push handle bend.

\*\*\*\*Height Adjustable Solid Back System w/Back Cushion HCPCS code only applies to pediatric sizes 12, 13, and 14.

Price	HCPCS	FL12	FL13	FL14	FL15	FL16
N/C		905054	905054	905054	905054	905054
N/C		905055	905055	905055	905055	905055
N/C		905056	905056	905056	905056	905056
\$525	E2291	905093	905094	905095	905096	905097
\$150		905058	905058	905058	905058	905058
N/C		903850	903850	903850	903850	903850
N/C		903857	903857	903857	903857	903857
N/C		903855	903855	903855	903855	903855
N/C		903851	903851	903851	903851	903851
N/C		903759	903759	903759	903759	903759
N/C		903854	903854	903854	903854	903854
N/C		904189	904189	904189	904189	904189
N/C		904753	904753	904753	904753	904753
N/C		904754	904754	904754	904754	904754

#### Push Handle Option

- Two Piece Push Handle

##### One-Piece Height Adjustable Push Handle Option (+- 9" height adjustable from back canes height) (Select One):

- Outside Mount  
 Inside Mount

Price	HCPCS	FL12	FL13	FL14	FL15	FL16
N/C		905311	905311	905311	905311	905311
N/C		905108	905109	905110	905111	905112
N/C		905098	905099	905100	905101	905102

#### Transit

- Transit Option (Manufacturer Installation Required)±

±See bottom of order form regarding the specific configuration in which the chair was tested for WC-19.

Price	HCPCS	FL12	FL13	FL14	FL15	FL16
\$0	K0108	905082B	905082B	905082B	905082B	905082B

#### Transit Options

- Q'Straint Transit Lap Belt  
 Sure-Lok Transit Lap Belt

Price	HCPCS	FL12	FL13	FL14	FL15	FL16
\$90	E0978	903094	903094	903094	903094	903094
\$90	E0978	903232	903232	903232	903232	903232

#### Pelvic Positioning

- 2-Point Pelvic Positioning Belt

##### 4-Point Pelvic Positioning Belt by R82 (Camlock Kit and Seat Pan Required)

- W: 9-10.25" X D: 21.5" (Size 0)  
 W: 10.25-11.25" X D: 21.5" (Size 1)  
 W: 12-13.5" X D: 21.5" X H: 19.5" (Size 2)  
 W: 14-15.5" X D: 21.5" X H: 19.5" (Size 3)  
 Camlock Kit for 4-Point Belt

##### Left Width, Height Adj. Lateral Pelvic Support (Hip Guide)

- Small - H: 4.5" - 5.5"  
 Large - H: 5.25" - 6.25"

##### Right Width, Height Adj. Lateral Pelvic Support (Hip Guide)

- Small - H: 4.5" - 5.5"  
 Large - H: 5.25" - 6.25"

##### Medial Thigh Support

- Size 1 (2.6" front width, 4.1" depth, 2" back width, 2.7" height)  
 Size 2 (3.3" front width, 5" depth, 2.3" back width, 2.9" height)  
 Size 3 (4" front width, 6" depth, 3" back width, 3" height)

\*Height is reduced by 2" when used with Cushion.

Price	HCPCS	FL12	FL13	FL14	FL15	FL16
\$45	E0978	903931	903931	903931	904559	904559
\$135	K0108	905148	905148	905148	905148	905148
\$135	K0108	905149	905149	905149	905149	905149
\$135	K0108	905150	905150	905150	905150	905150
\$135	K0108	905151	905151	905151	905151	905151
N/C		905393	905393	905393	905393	905393
\$120	E0956	905320	905320	905320	905320	905320
\$120	E0956	905322	905322	905322	905322	905322
\$120	E0956	905321	905321	905321	905321	905321
\$120	E0956	905323	905323	905323	905323	905323
\$162	E0957	905389	905389	905389	905389	905389
\$162	E0957	905390	905390	905390	905390	905390
\$162	E0957	905391	905391	905391	905391	905391

			Price	HCPCS	FL12	FL13	FL14	FL15	FL16		
<b>Foot &amp; Leg Positioning</b>											
<b>Front Riggings (Footplates attach to the Front Riggings)</b>											
□ Angle Adjustable Elevating Leg Rest (ELR) - Pair ***					\$250	K0195	905077	905077	905078	905078	905136
□ Legrest Extension +2" - Pair (ELR Required)					\$55		904095	904095	904096	904096	904097
<b>Footplates</b>											
□ One-Piece Angle Adjustable Footplates (Flip Up and Reversible) (ELR Required)					\$110	K0040	905160	905161	905162	905163	905164
□ One-Piece Fixed Angle Footplates (Flip-up and Reversible Footplate) (ELR Required)					N/C		905072	905073	905074	905075	905076
□ Individual Angle Adjustable Footplates - Pair (Compatible with std fixed front riggings or ELR)					\$179	K0040	905165	905165	905166	905166	905166
<b>Foot Positioners (Pair)</b>											
□ Small 7" - 10"					\$156	K0108	903415	903415	903415	903415	903415
□ Medium 8" - 11"					\$156	K0108	903416	903416	903416	903416	903416
□ Large 9" - 12"					\$156	K0108	903417	903417	903417	903417	903417
<b>Therapin Shoe Holders w/Padded Straps (Pair)</b>											
□ Small					\$188	K0108	904679	904679	904679	904679	904679
□ Medium					\$188	K0108	904680	904680	904680	904680	904680
□ Fully Padded Footbox (one-piece footplate required)					\$325	K0108	904954	904954	904955	904955	904956
□ Calf Panel					\$61		904580	904580	904580	904580	904580

\*2" Legrest Extension interferes with caster swivel when seat is in upright position. Seat must be tilted back at least 5° OR Legrests must be elevated to allow caster swivel.

\*\*Seat to footplate range varies from 5.25" - 18" depending on chair size.

\*\*\*Recommended for full recline.

			Price	HCPCS	FL12	FL13	FL14	FL15	FL16	
<b>Trunk Positioning</b>										
<b>Neoprene Vest by R82 (Camlock Kit and Back Pan Required)</b>										
□ W: 7" x D: 5.5" x H: 4" (Size 1)					\$200	E0960	905152	905152	905152	905152
□ W: 6.5" x D: 9" x H: 6.75" (Size 2)					\$200	E0960	905153	905153	905153	905153
□ W: 11.25" x D: 7.75" x H: 7" (Size 3)					\$200	E0960	905154	905154	905154	905154
□ Camlock Kit for Vest					N/C		905326	905326	905326	905326
<b>Chest Belt, Upholstered by R82 (Camlock Kit and Back Pan Required)</b>										
□ W: 11.25" x D: 7.5" x H: 9.25-12" (Size 1)					\$270	E0960	905155	905155	905155	905155
□ W: 14" X D: 10.25" X H: 10.25-12.75" (Size 2)					\$270	E0960	905156	905156	905156	905156
□ W: 16.25" X D: 12.5" X H: 10.25-12.75" (Size 3)					\$270	E0960	905157	905157	905157	905157
□ W: 20.25" X D: 16" X H: 11.25-14.5" (Size 4)					\$270	E0960	905158	905158	905158	905158
□ Camlock Kit for Vest					N/C		905326	905326	905326	905326
<b>Cross Vest by R82 (Camlock Kit and Back Pan Required)</b>										
□ W: 4.5" X D: .5" X H: 11" (Size 0)					\$190	E0960	905176	905176	905176	905176
□ W: 5" X D: .5" X H: 12" (Size 1)					\$190	E0960	905177	905177	905177	905177
□ W: 5.2" X D: .5" X H: 12.75" (Size 2)					\$190	E0960	905178	905178	905178	905178
□ W: 6.25" X D: 4.75" X H: 15.25" (Size 3)					\$190	E0960	905179	905179	905179	905179
□ W: 7.5" X D: 6.75" X H: 18.25" (Size 4)					\$190	E0960	905180	905180	905180	905180
□ Camlock Kit for Vest					N/C		905326	905326	905326	905326
<b>Left Width, Height Adj Thoracic Lateral Support - Fixed**</b>										
□ Small - 3" (D) x 4.5" (H)^A					\$145	E0956	904760	904760	904760	904760
□ Medium - 4.5" (D) x 4.5" (H)^A					\$145	E0956	904876	904876	904876	904876
□ Large - 5.5" (D) x 4.5" (H)^A					\$145	E0956	904877	904877	904877	904877
<b>Right Width, Height Adj Thoracic Lateral Support - Fixed**</b>										
□ Small - 3" (D) x 4.5" (H)^A					\$145	E0956	904761	904761	904761	904761
□ Medium - 4.5" (D) x 4.5" (H)^A					\$145	E0956	904886	904886	904886	904886
□ Large - 5.5" (D) x 4.5" (H)^A					\$145	E0956	904887	904887	904887	904887
<b>Left Adj Firm Lateral Trunk Sup - Contoured (Hrdw Req)**</b>										
□ X Small = 4.25" x 3.25"					\$118	E0956	904864	904864	904864	904864
□ Medium = 5.5" x 4.25"					\$118	E0956	904866	904866	904866	904866
□ Swing Away Adj. Hardware (Required for Firm Laterals)					\$238	E1028	904884	904884	904884	904884
<b>Right Adj Firm Lateral Trunk Sup - Contoured (Hrdw Req)**</b>										
□ X Small = 4.25" x 3.25"					\$118	E0956	904865	904865	904865	904865
□ Medium = 5.5" x 4.25"					\$118	E0956	904867	904867	904867	904867
□ Swing Away Adj. Hardware (Required for Firm Laterals)					\$238	E1028	904885	904885	904885	904885
<b>Swing-Away Lateral Support Bracket by R82 (Hrdw Req)</b>										
□ Swing-Away Lateral Support Bracket, Right (Ea.)					\$225	E01028	905338	905338	905338	905338
□ Swing-Away Lateral Support Bracket, Left (Ea.)					\$225	E01028	905337	905337	905337	905337
<b>Swing-Away Lateral Support Bar, Straight</b>										
□ Bar, Straight 4 3/4", Right (Ea.)					\$0		905327	905327	905327	905327
□ Bar, Straight 4 3/4", Left (Ea.)					\$0		905327	905327	905327	905327
<b>Swing-Away Hardware</b>										
□ Bar, Offset, 1" 4/4", Right (Ea.)					\$0		905328	905328	905328	905328
□ Bar, Offset, 1" 4/4", Left (Ea.)					\$0		905328	905328	905328	905328
□ Bar, Offset 1 1/4", Right (Ea.)					\$0		905329	905329	905329	905329
□ Bar, Offset 1 1/4", Left (Ea.)					\$0		905329	905329	905329	905329
□ Bar, Offset 2 1/2", Right (Ea.)					\$0		905330	905330	905330	905330
□ Bar, Offset 2 1/2", Left (Ea.)					\$0		905330	905330	905330	905330
<b>Swing-Away Lateral Support Curved Cushion (Ea.)</b>										
□ Curved Cushion 3 1/2" x 7 1/2", Right (Ea.)					\$105	E0956	905331	905331	905331	905331
□ Curved Cushion 3 1/2" x 7 1/2", Left (Ea.)					\$105	E0956	905331	905331	905331	905331
□ Curved Cushion 2 1/2" x 6 3/4", Right (Ea.)					\$105	E0956	905332	905332	905332	905332
□ Curved Cushion 2 1/2" x 6 3/4", Left (Ea.)					\$105	E0956	905332	905332	905332	905332
□ Curved Cushion 2 1/2" x 6", Right (Ea.)					\$105	E0956	905333	905333	905333	905333
□ Curved Cushion 2 1/2" x 6", Left (Ea.)					\$105	E0956	905333	905333	905333	905333
<b>Swing-Away Lateral Support Standard Cushion (Ea.)</b>										
□ Standard Cushion 4" x 4", Right (Ea.)					\$105	E0956	905334	905334	905334	905334
□ Standard Cushion 4" x 4", Left (Ea.)					\$105	E0956	905334	905334	905334	905334
□ Standard Cushion 2 3/4" x 6 1/4", Right (Ea.)					\$105	E0956	905335	905335	905335	905335
□ Standard Cushion 2 3/4" x 6 1/4", Left (Ea.)					\$105	E0956	905335	905335	905335	905335
□ Protective Cushion for Laterals, Black (Pr.)					\$92		905336	905336	905336	905336

\*Pad Size.

^Depth of Laterals is reduced by 1.5" with back upholstery.

\*\*Requires height adjustable solid back system.

			Price	HCPCS	FL12	FL13	FL14	FL15	FL16	
<b>Head Supports</b>										
□ Adjustable Wing Head Support****					\$265	E0955	904584	904584	904608	904608
<b>Anatomic Headrest with Cover by R82 (Requires Headrest Universal Mount &amp; Swing-away Mounting Bracket)</b>										
□ Small					\$255	E0955	904950	904950	904950	904950
□ Medium					\$255	E0955	904951	904951	904951	904951
<b>R82 Adjustable Width Headrest, Dynamic - Long (Requires Headrest Universal Mount &amp; Swing-away Mounting Bracket)</b>										
□ Adjustable Width Headrest Large Laterals w/Speakers, Dynamic, Black Cover - Long					\$480	E0955	905282	905282	905282	905282
□ Adjustable Width Headrest, Large Laterals, Dynamic, Black Cover - Long					\$385	E0955	905173	905173	905173	905173
□ Adjustable Width Headrest Two Laterals, Dynamic, Black Cover - Long					\$385	E0955	905288	905288	905288	905288
□ Adjustable Width Headrest Four Laterals, Dynamic, Black Cover - Long					\$385	E0955	905174	905174	905174	905174
<b>R82 Adjustable Width Headrest, Dynamic - Short (Requires Headrest Universal Mount &amp; Swing-away Mounting Bracket)</b>										
□ Adjustable Width Headrest Large Laterals w/Speakers, Dynamic, Black Cover - Short					\$480	E0955	905284	905284	905284	905284
□ Adjustable Width Headrest, Large Laterals, Dynamic, Black Cover - Short					\$385	E0955	905286	905286	905286	905286
□ Adjustable Width Headrest Two Laterals, Dynamic, Black Cover - Short					\$385	E0955	905175	905175	905175	905175
□ Adjustable Width Headrest Four Laterals, Dynamic, Black Cover - Short					\$385	E0955	905290	905290	905290	905290
<b>R82 Adjustable Width Headrest, Non-Dynamic - Long (Requires Headrest Universal Mount &amp; Swing-away Mounting Bracket)</b>										
□ Adjustable Width Headrest Large Laterals w/Speakers, Non-Dynamic, Black Cover - Long					\$405	E0955	905281	905281	905281	905281
□ Adjustable Width Headrest, Large Laterals, Non-Dynamic, Black Cover - Long					\$305	E0955	905170	905170	905170	905170
□ Adjustable Width Headrest Two Laterals, Non-Dynamic, Black Cover - Long					\$305	E0955	905289	905289	905289	905289
□ Adjustable Width Headrest Four Laterals, Non-Dynamic, Black Cover - Long					\$305	E0955	905291	905291	905291	905291
<b>R82 Adjustable Width Headrest, Non-Dynamic - Short (Requires Headrest Universal Mount &amp; Swing-away Mounting Bracket)</b>										
□ Adjustable Width Headrest Large Laterals w/Speakers, Non-Dynamic, Black Cover - Short					\$405	E0955	905285	905285	905285	905285
□ Adjustable Width Headrest, Large Laterals, Non-Dynamic, Black Cover - Short					\$305	E0955	905287	905287	905287	905287
□ Adjustable Width Headrest Two Laterals, Non-Dynamic, Black Cover - Short					\$305	E0955	905172	905172	905172	905172
□ Adjustable Width Headrest Four Laterals, Non-Dynamic, Black Cover - Short					\$305	E0955	905171	905171	905171	905171
<b>Swing-Away Mounting Bracket - Height, Depth, Angle &amp; Lateral Adjustable by R82 (Required for R82 head supports) (Select One):</b>										
□ Turtle Neck Bar System, Short					\$230	E1028	904948	904948	904948	904948
□ Turtle Neck Bar System, Long					\$230	E1028	904947	904947	904947	904947
□ Headrest Universal Mount (Accommodates most manufacturer's head supports)****					\$55	K0108	904946	904946	904946	904946

\*\*\*\*Requires the Height Adjustable Solid Back System.

**Frame Options**

**Recline System (80 to 170 degrees) (Manufacturer installation required)**

- Recline on Flyer 12, 13, 14
- Recline on Flyer 15 and 16±

**Flip-up, Height Adjustable, Armrest - Pair (Select option for sizes 12, 13, or 14)\***

- Height adjustable Flip-Up Armrests (pair) - Short 8.34" Length
- Height adjustable Flip-Up Armrests (pair) - Short 8.34" Length
- Height adjustable Flip-Up Armrests (pair) - Long 11.34" Length
- Height adjustable Flip-Up Armrests (pair) - Long 11.34" Length

**Removable Adjustable, Armrest - Pair**

- Height Adjustable Removable Armrests (pair) - Short 9.00" Length
- Height Adjustable Removable Armrests (pair) - Long 11.00" Length

± For FL15 and FL16, use HCPCS code E1225.

\*Flip-up armrest is standard on sizes 15 and 16.

Price	HCPCS	FL12	FL13	FL14	FL15	FL16
\$480	E1014	905037	905037	905037		
\$480	E1226				905038	905038
\$228	E0973	905167	905167	905167		
\$0	E1225				905324	905324
\$228	E0973	905168	905168	905168		
\$0	E1225				905325	905325
\$290	E0973	905396	905396	905396	905396	905396
\$290	E0973	905397	905397	905397	905397	905397

**Medical Support Accessories**

- IV Pole (height adjustable and collapsible)°^^
  - O2 Tank Holder\*
  - LTV Ventilator Holder
  - Ventilator/Suction/Hard Tray
- °Requires Rear Anti-Tip Tubes.  
\*Cannot be used during transit.  
^^Required with medium or tall back canes.

Price	HCPCS	FL12	FL13	FL14	FL15	FL16
\$150	K0105	904566	904566	904566	904566	904566
\$175	E2208	905070	905070	905070	905070	905070
\$450	E1029	905071	905071	905071	905071	905071
\$450	E1029	905079	905079	905079	905079	905079

**Accessories**

**Headrest Cover Options (Canopy)**

- Headrest Cover (Canopy)²
- Extended Headrest Cover - No Windows (Canopy)²
- Extended Headrest Cover - with Windows (Canopy)²
- Upper Extremity Support Tray (Flip-Up Armrests)\*\*\*^
- Adj. Removable Hardware (Required for Clear Tray) (Flip-Up Armrests)
- Upper Extremity Support Tray (Removable Armrests) Size 1
- Upper Extremity Support Tray (Removable Armrests) Size 2
- Upper Extremity Support Tray (Removable Armrests) Size 3
- Adj. Removable Hardware (Required for Clear Tray) (Removable Armrests)
- Upper Extremity Support Surface (Foam Tray)
- Curb Tipper
- Caster Locks (Manufacturer Installation Required) (ELR recommended to avoid caster & front rigging interference)
- Rear Anti-Tip Tubes
- Under Seat Storage Basket
- Medical Necessity Storage Basket

\*\*Cannot be used during transit.

^Armrests required for sizes 12, 13, and 14. Armrest is standard on sizes 15 & 16.

°IV Pole & Canopy Cannot be used simultaneously.

Price	HCPCS	FL12	FL13	FL14	FL15	FL16
\$228	K0108	902679	902679	902659	902659	903152
\$250	K0108	904729	904729	904730	904730	904731
\$295	K0108	904745	904745	904746	904746	904747
\$110	E0950	903405	903405	903401	903401	904525
\$227	E1028	903369	903369	903369	903369	903369
\$160	E0950	905398	905398	905398		
\$160	E0950		905399	905399	9053999	
\$160	E0950			905400	905400	905400
\$185	E1028	905401	905401	905401	905401	905401
\$150	E0950	903669	903669	903670	903670	903670
\$98		905365	905365	905365	905365	905365
\$94	K0073	904650	904650	904650	904650	904650
\$115	E0971	905069	905069	905069	905069	905069
\$120		905195	905195	905196	905196	905196
\$295		905274	905274	905275	905275	905275

\*\*\*The Flyer Transit option includes four manufacturer installed black wheelchair transportation anchors. The Flyer Transit model has been crash tested and conforms to RESNA WC19 standards.

The Convoid Flyer Mobility Base was tested with the Flyer Seating Module equipped with a head support and wheelchair anchored pelvic lap belt. The performance and safety of accessories and/or other seating options not tested by Convoid is unknown, and no warranty or claim about their performance is or can be made.

Transit and Non Transit weight capacity: Back Cane Position 1: 85 lbs/39 kg and Back Cane Position 2-4: 170 lbs/77 kg.

Furthermore, when being transported in a vehicle it is Convoid's position that the wheelchair user transfer from the wheelchair into appropriate vehicle seating during transportation. Please note that at this time, the Department of Transportation has not officially approved any tie-down system for a user while in a wheelchair, therefore Convoid cannot recommend a transit system.

For more information on RESNA WC-19 and WC-20 standards please visit <http://www.nercwtts.pitt.edu/WC19.html>.

HCPCS codes are provided for your convenience and are NOT to be considered billing or legal advice. Providers are responsible for insuring that appropriate billing codes are used when submitting claims. Proper use of HCPCS codes does not insure coverage or payment. Contact the appropriate payer for coverage information.

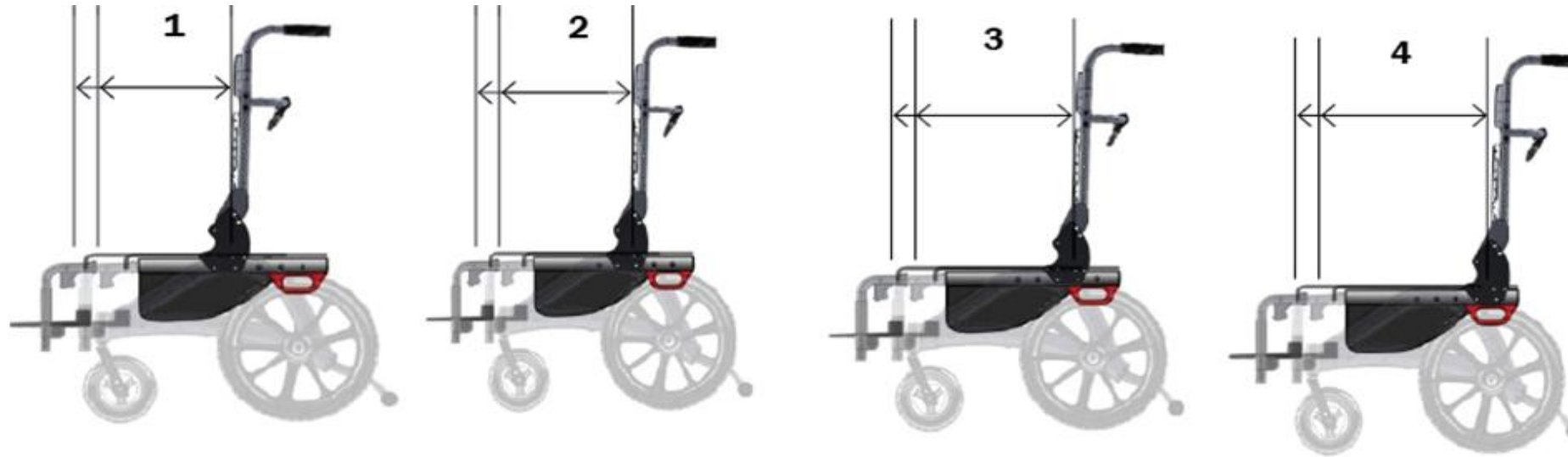
**Standard Domestic Shipping Rate: \$40 • For expedited shipping rates, please call 1-844-876-6245**

2830 California St., Torrance, CA 90503 • 1-844-876-6245, 310-618-0111 • Fax: 310-618-2166

Prices in USD & subject to change, ex works Torrance, California.

Effective: 5/10/2019

**Seat Depth Adjustable Positions:**



Position Option	1	2	3	4
Seating System Seat Depth Adjustment Range				
Back Canes	11" – 15"	13" – 17"	15" – 19"	17" – 21"
Solid Back*	9.5" – 13.5"	11.5" 15.5"	13.5" – 17.5"	15.5" – 19.5"

\*Seat Depth is reduced by 1 1/2" when used with solid back seating system

**Footplate Dimensions:**

Seat to Footplate Dimensions	Mounting	12" Flyer	13" Flyer	14" Flyer
One-Piece Angle Adjustable Footplates	Flip-Up	9in-14in	9in-14in	11in-16in
	Reversible	5.25in-11.25in	5.25in-11.25in	7.25in-13.25in
One-Piece Fixed Angle Footplates	Flip-Up	9in-14in	9in-14in	11in-16in
	Reversible	5.25in-11.25in	5.25in-11.25in	7.25in-13.25in
Individual Angle Adjustable Footplates - Pair	Flip-Up	7in-13in	7in-13in	9.5in-15.5in
	Reversible	4.5in-9.25in	4.25in-11in	4.25in-11in

**Height Adjustable Removable Armrest Length:**

Recommended Height Adjustable Removable Armrest Length per Seat Depth Position				
	Seat Depth Position 1	Seat Depth Position 2	Seat Depth Position 3	Seat Depth Position 4
Height Adjustable Removable Armrest - Short 9.00" Length	●	●		
Height Adjustable Removable Armrest - Short 9.00" Length			●	●