

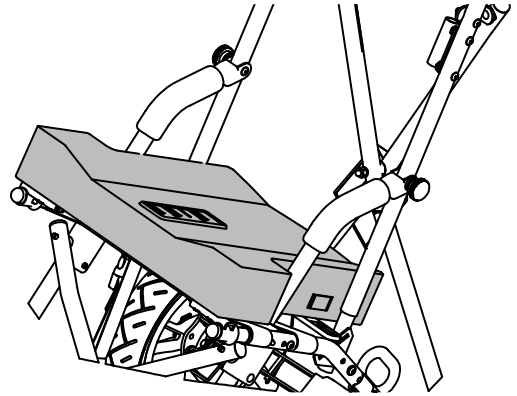
PELVIC POSITIONING

Align Seat Cushion Assy

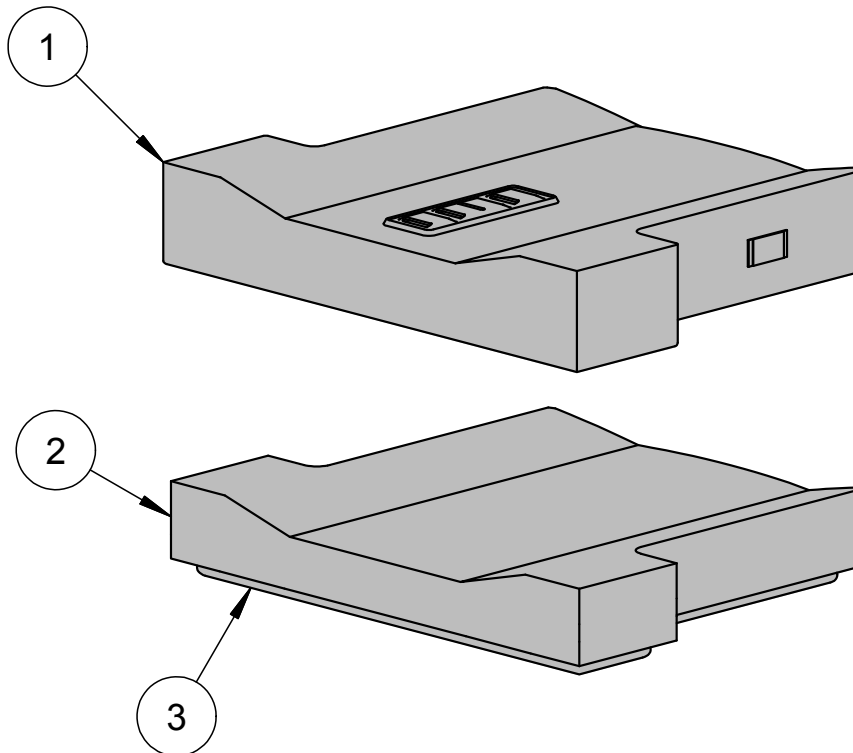
995920

Kit Includes

Item	Description	Qty
1	CX-10 Sensiform Align Cover	1
2	CX-10 Sensiform Align Cushion	1
3	Solid Seat Insert	1



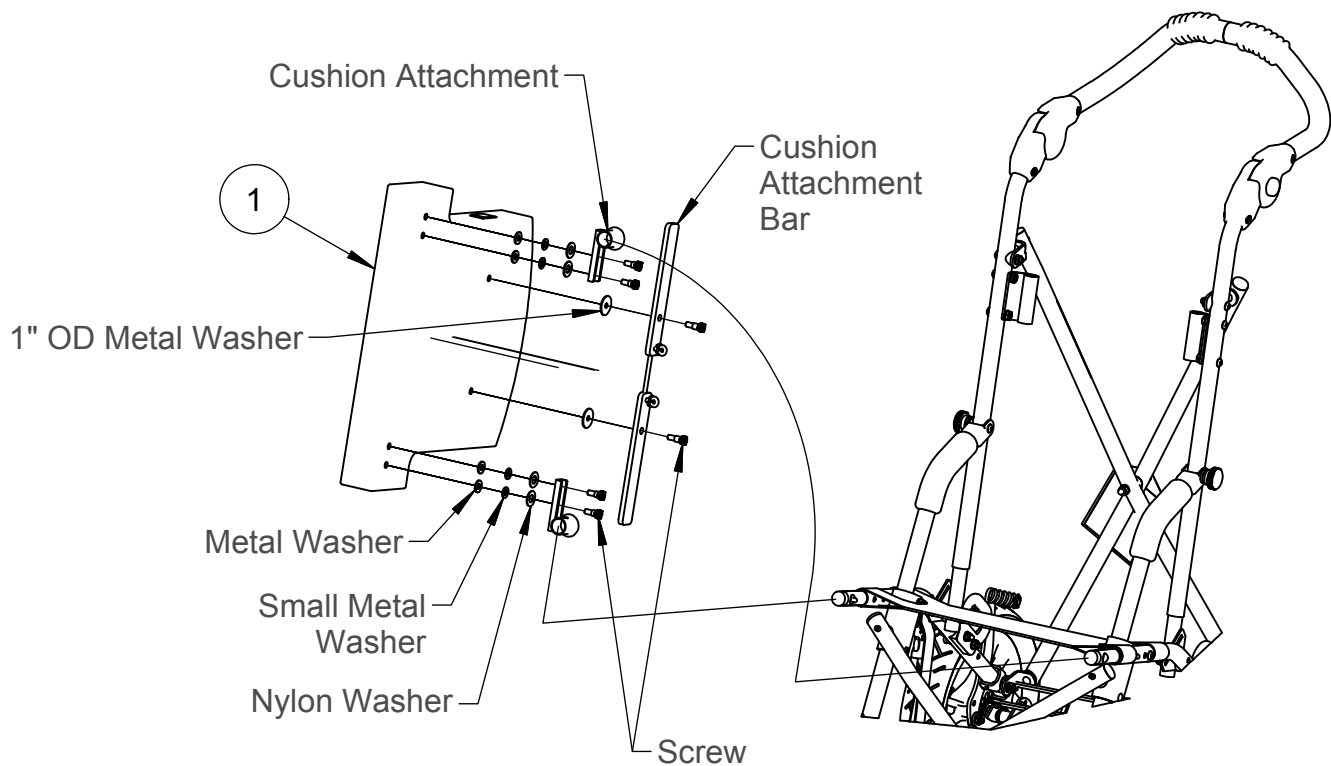
Assembled



INSTRUCTIONS

Align Seat Cushion Assy

1. Use a 5/32" allen wrench to remove the hardware attached on the existing cushion.
2. Reattach hardware to the new cushion. Be sure to follow the schematic to place the washers in the proper order.



If you have any questions about attaching the Cushion Assy, please call our Sales Department at 888 CONVAID (266-8243) or +1 310 618-0111.

 **Convaid**
Now You're Going Places