

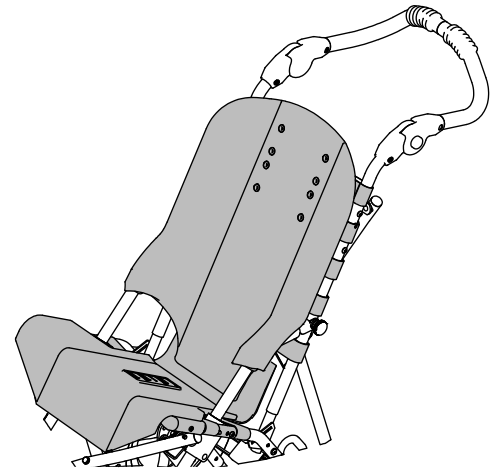
UPHOLSTERY

Heavy Duty Cordura Upholstery with +3" Seat Depth Extension

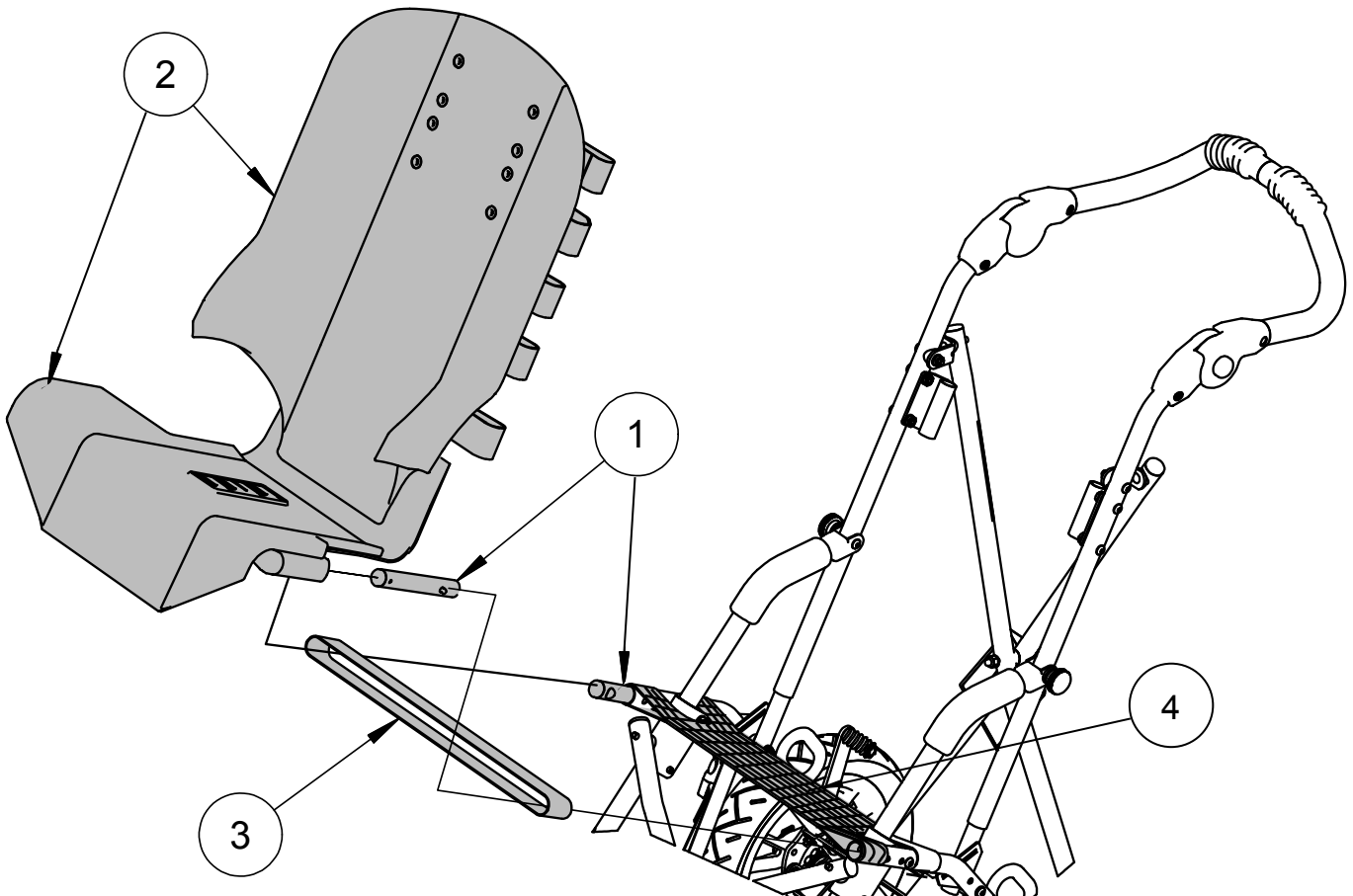
995916

Kit Includes

Item	Description	Qty
1	CX-10/12 Seat Extension Tube Assembly +3"	2
2	CX-10 Heavy Duty Seat Assembly 3" Extension (Cordura)	1
3	Velcro® 1-1/2" Back To Back Black 34" Long	1
4	CX-10 Self-Tensio™ (Seat Support Webbing +3")	1



Assembled



If you have any questions about attaching the Upholstery, please call our Sales Department at 888 CONVAID (266-8243) or +1 310 618-0111.

 **Convaid**
Now You're Going Places

INSTRUCTIONS

Heavy Duty Cordura Upholstery with +3" Seat Depth Extension

1. Remove upholstery and seat tube extensions from frame.
2. Partially fold the frame.
3. Using a 7/16" wrench and a 5/32" allen wrench, remove the bolt connecting the seat tube to the black slide housing from the left side of the frame.
4. Slide existing seat support off.
5. Slide new seat support onto the seat tube. Make sure the cutout of the seat support goes around the front leg.
6. Reattach the bolt connecting the seat tube to the black slide housing.
7. Use a 7/16" wrench and a 5/32" allen wrench to tight the nut and bolt.
8. Repeat steps 3 to 7 for the right side.
9. Reinstall the seat tube extension and the upholstery.