

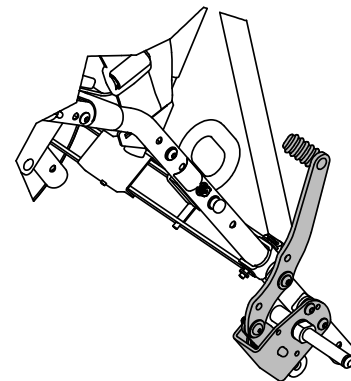
WHEELS

Brake Assy for Rolko Wheels - Left

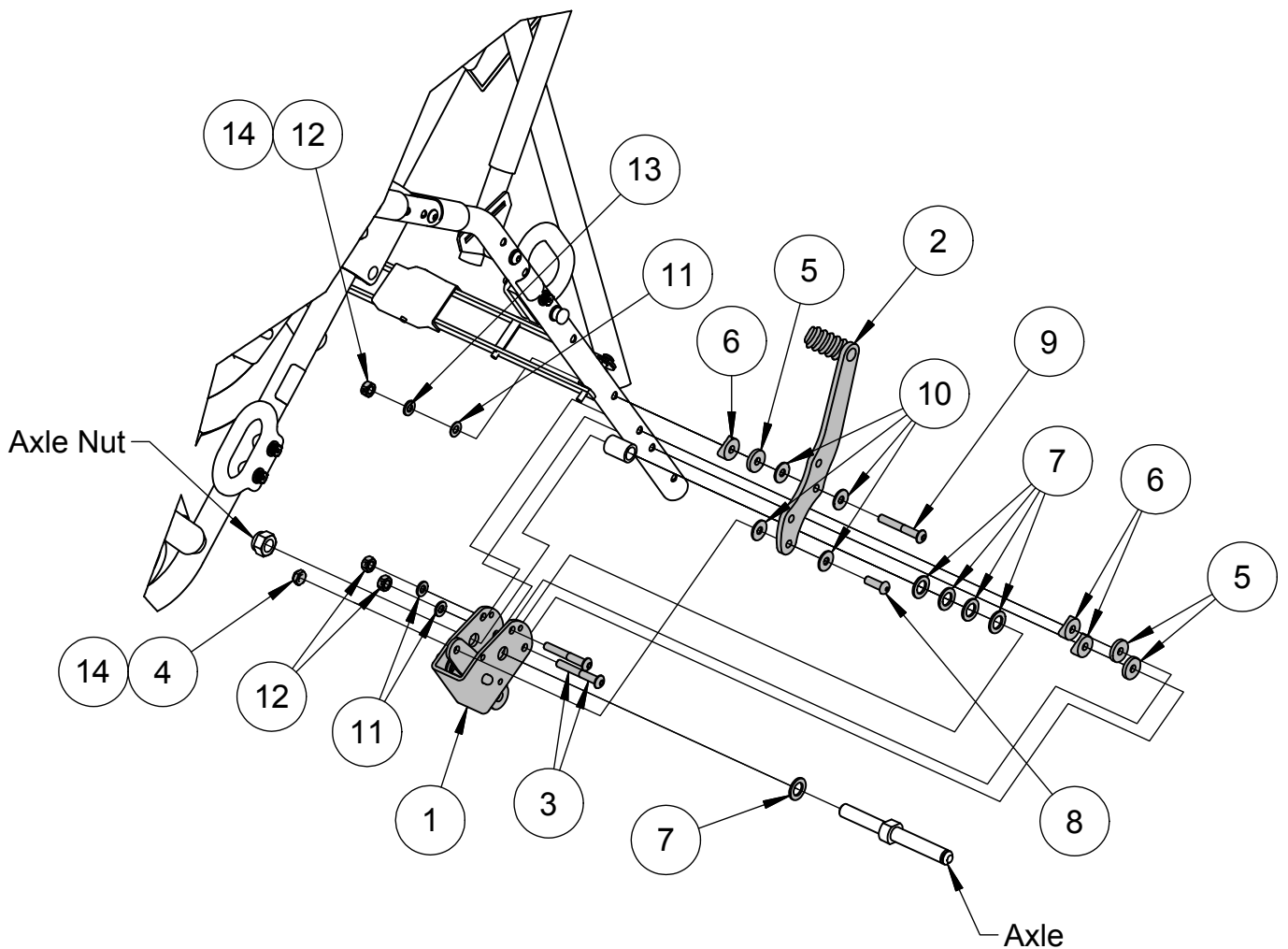
996005

Kit Includes

Item	Description	Qty			
1	CX/ME/CB/EZ/SFT Parking Brake Assembly, LH	1			
2	Rolko Foot Brake Lever Assembly, LH	1			
3	Bolt 1/4"-28 x 1-3/4" Socket Button Hd Alloy Steel	2			
4	Locknut 1/4"-20 Jam Flexlock	1			
5	Nylon Washer 1/4" x 3/4" x 1/8"	3			
6	Coved Washer 3/4"	3			
7	Washer 7/16" AN-960-716	5			
8	Bolt 1/4"-20 x 3/4" Socket Button Head	1			
9	Bolt 1/4"-28 x 1-3/4" Socket Button Head	1			
10	Nylon Washer 1/4" x 11/16"	4			
11	Washer 1/4" AN-960-416	3			
12	Locknut 1/4"-28 Flexlock Black Zinc	2			
13	Nylon Washer 1/4" x 1/2"	1	14	Thread Locker-Medium-Vibra-tite	1
14	Thread Locker-Medium-Vibra-tite	1			



Assembled



If you have any questions about attaching the Caster Fork, please call our Sales Department at 888 CONVAID (266-8243) or +1 310 618-0111.

INSTRUCTIONS

Brake Assy for Rolko Wheels - Left

1. Remove rear wheel from the frame.
2. Using two 5/8" wrenches, remove the axle nut and axle.
3. Use a 7/16" wrench and a 5/32" allen wrench to remove existing brake assembly from the frame.
4. Install the new brake assembly. Be sure to follow the schematic to place the washers in the proper order.
5. Before attaching the nuts onto the bolt, apply some loctite **Item 14** onto the threads of the nut.
6. Use a 7/16" wrench and a 5/32" allen wrench to tighten the nuts and bolts.
7. Make sure not to over tighten the nuts of the Brake Lever. The Brake Lever should be allowed to rotate with minimal resistance.
8. Use two 5/8" wrenches to reattach the axle onto the frame.