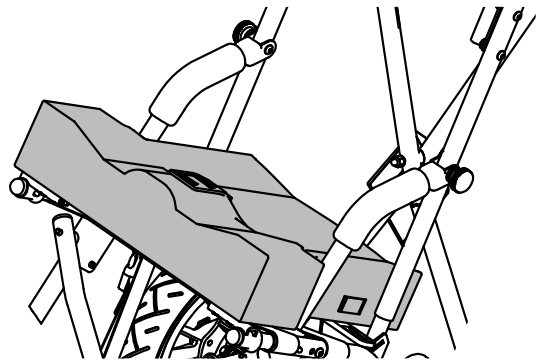


PELVIC POSITIONING

Position Seat Cushion Assy

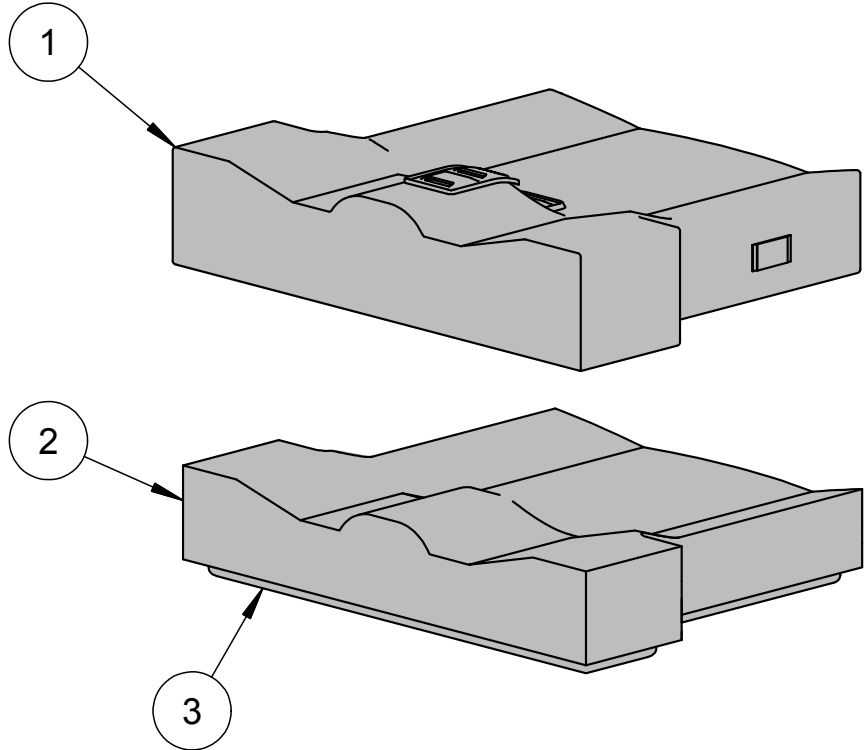
995921



Assembled

Kit Includes

Item	Description	Qty
1	CX-10 Sensiform Position Cover	1
2	CX-10 Sensiform Position Cushion	1
3	Solid Seat Insert	1

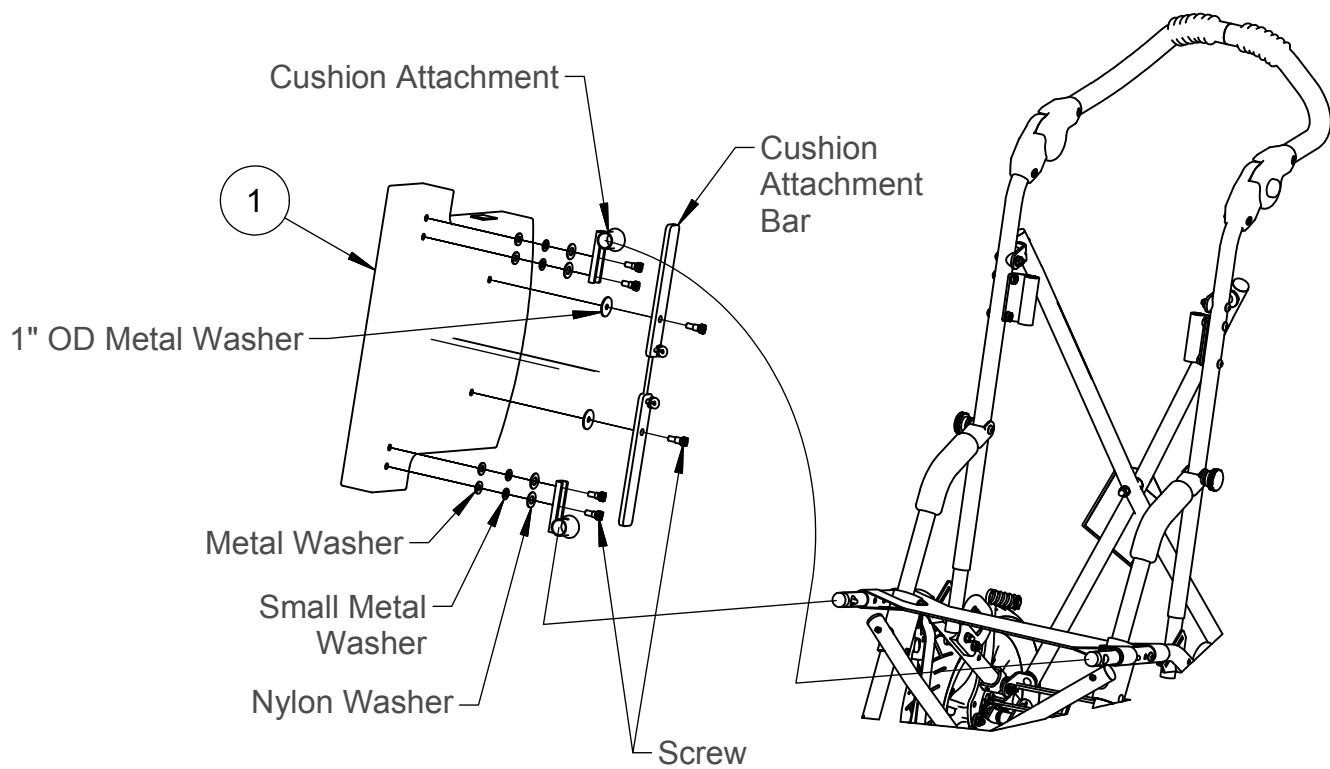


If you have any questions about attaching the Cushion Assy, please call our Sales Department at 888 CONVAID (266-8243) or +1 310 618-0111.

INSTRUCTIONS

Position Seat Cushion Assy

1. Use a 5/32" allen wrench to remove the hardware attached on the existing cushion.
2. Reattach hardware to the new cushion. Be sure to follow the schematic to place the washers in the proper order.



If you have any questions about attaching the Cushion Assy, please call our Sales Department at 888 CONVAID (266-8243) or +1 310 618-0111.

 **Convaid**
Now You're Going Places