

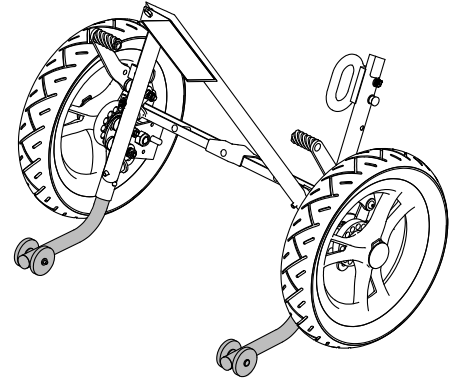
ACCESSORIES

Anti-Tip Tube - Pair

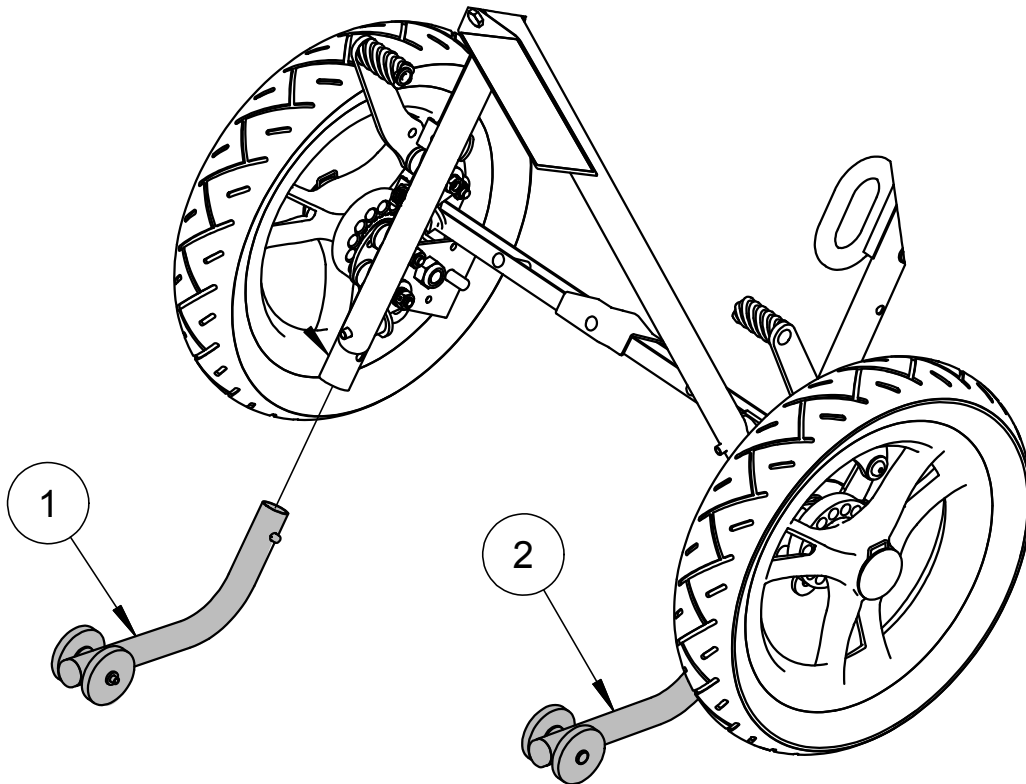
995688

Kit Includes

Item	Description	Qty
1	CX-10 Anti-Tip Assembly, LH	1
2	CX-10 Anti-Tip Assembly, RH	1



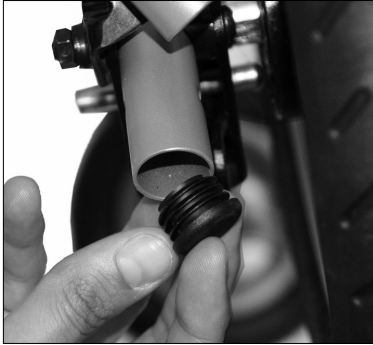
Assembled



If you have any questions about attaching the Anti-Tip Tubes, please call our Sales Department at 888 CONVAID (266-8243) or +1 310 618-0111.

INSTRUCTIONS

Anti-Tip Tube - Pair



1. To install the Anti-Tip Tubes, align the tube with the end of the round frame tubing located next to the rear wheel.



2. Push the detent pin while positioning the Anti-Tip Tube onto the round frame tubing and push until the "release button" pops through the hole located on the Anti-Tip Tube.



3. Repeat steps 1 & 2 for opposite side.



4. To remove the Anti-Tip Tubes, perform above steps in reverse order.



NOTE: The Rear Anti-Tip Tubes provide additional safety to prevent the chair from tipping backwards when the users weight is unevenly distributed

If you have any questions about attaching the Anti-Tip Tubes, please call our Sales Department at 888 CONVAID (266-8243) or +1 310 618-0111.

 **Convaid**
Now You're Going Places