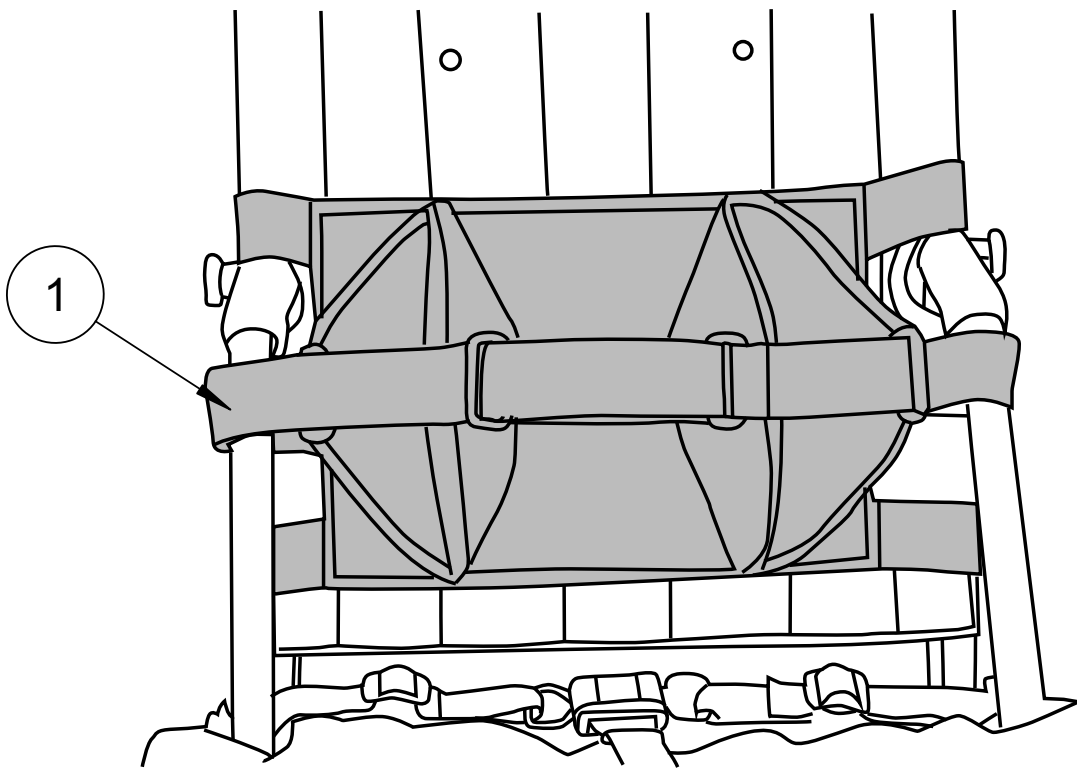


TRUNK POSITIONING

Soft Adjustable Lateral Support - Double Flap

995936

Item	Description	Qty
1	Soft Adjustable Lateral Double Flap	1



If you have any questions about attaching the Lateral Support, please call our Sales Department at 888 CONVAID (266-8243) or +1 310 618-0111.

 **Convaider**
Now You're Going Places

INSTRUCTIONS

Soft Adjustable Lateral Support - Double Flap

The Double Flap Lateral Trunk Support brings the trunk to midline position.

- The Inner flaps mobilize the trunk.
 - The Outer flaps centralize the trunk and keep the arms in the front of the chair.
 - The Scoli strap aligns the spine.
1. Attach the Lateral Trunk Support to the chair by wrapping the two rear straps around the back of the chair and securing with Velcro®.
 2. To attach the double flap, wrap the strap on the left-hand outer flap around the side tubing of the frame and secure with Velcro®.
 3. Thread the strap on the left-hand inner flap into the plastic loop on the outer flap working from front to back.
 4. Adjust and secure strap. (Repeat steps 3 and 4 on right-hand flap.)
 5. Bring the long scoliosis strap through the plastic loop on the inner flap on the right-hand side and across the chest.
 6. Thread the strap through the plastic loop on the inner flap on the left-hand side.
 7. Fasten the strap with Velcro®.
 8. If additional tightness is desired, pull the scoliosis strap further and Velcro® it beyond the inner flap.
 9. Attaching Lateral Trunk Support Double Flap

Note: The Lateral Trunk Support - Double Flap can be used to support either the left or right side of the trunk.

