

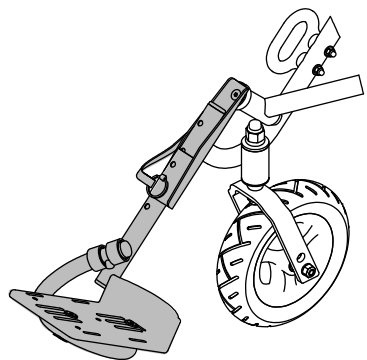
FOOTPLATE

Standard Footplate Assy Kit - Right

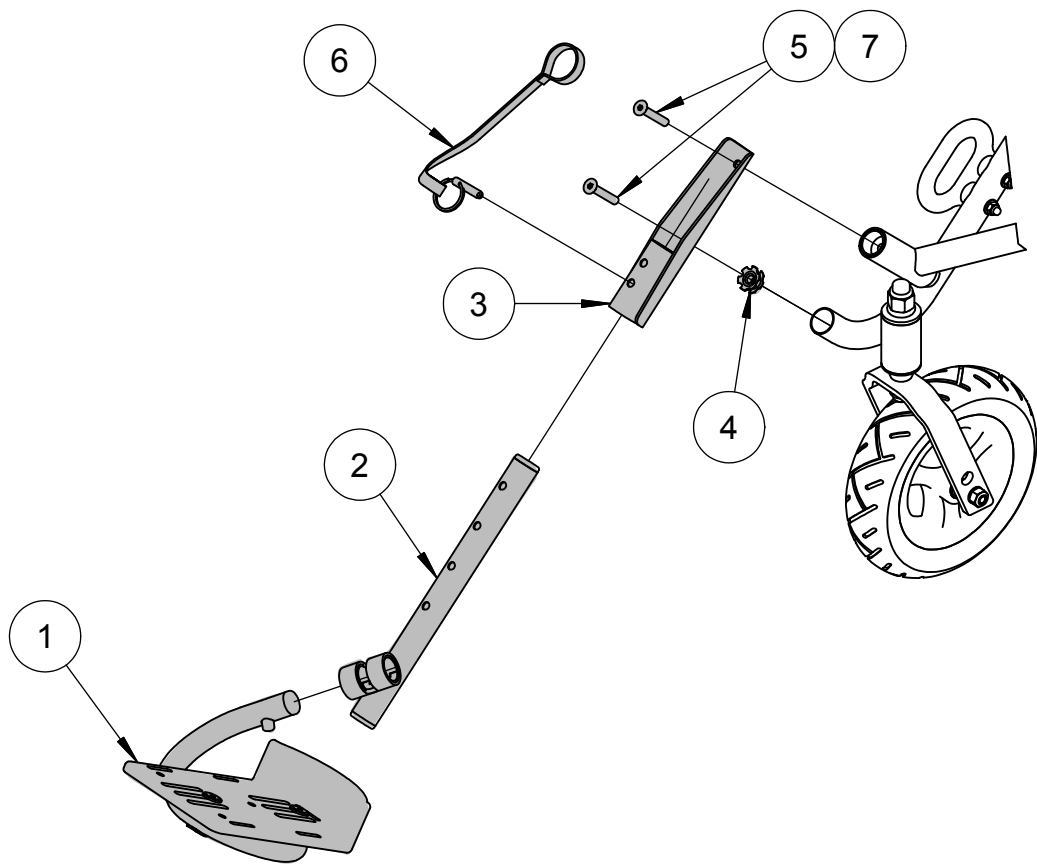
996211

Kit Includes

Item	Description	Qty
1	Footrest Assembly: Adult, RHS	1
2	Footplate Adjustment Tube, RH	1
3	Footrest Extension Housing Assembly	1
4	Tube Connector 7/8" Heavy Duty	1
5	Screw 1/4"-20 x 1-1/2" Flat Skt	2
6	Detent Pin With Webbing Assembly	1
7	Thread Locker-Medium-Vibra-tite	1



Assembled



If you have any questions about attaching the Calf Panel, please call our Sales Department at 888 CONVAID (266-8243) or +1 310 618-0111.

INSTRUCTIONS

Standard Footplate Assy Kit - Right

1. Pull out metal pin and remove the existing footplate extension tube **Item 2**.
2. Using a 5/32" allen wrench, remove both bolts from the housing bracket on the frame and remove existing footplate assembly components.
3. If needed, install tube connector **Item 4** into the front leg by hammering or pressing it into the front leg tube.
4. Slide the loop portion of the detent pin with webbing assembly over the front x-brace tube.
5. Align footrest extension housing **Item 3** with the front leg.
6. Apply some thread locker **Item 7** on the thread portion of the screws **Item 5**.
7. Using a 5/32" allen wrench, attach the footrest extension housing onto the front leg using the screws provided **Item 5**.
8. Reattach the footplate adjustment tube and secure it with the detent pin **Item 6**.