

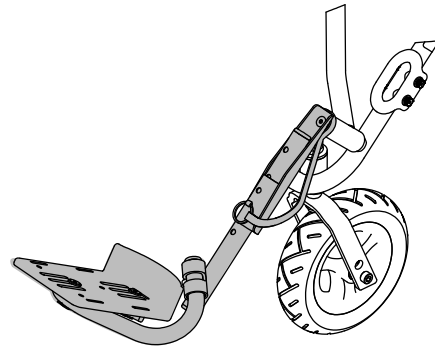
FOOTPLATE

Standard Footplate Assy Kit - Left

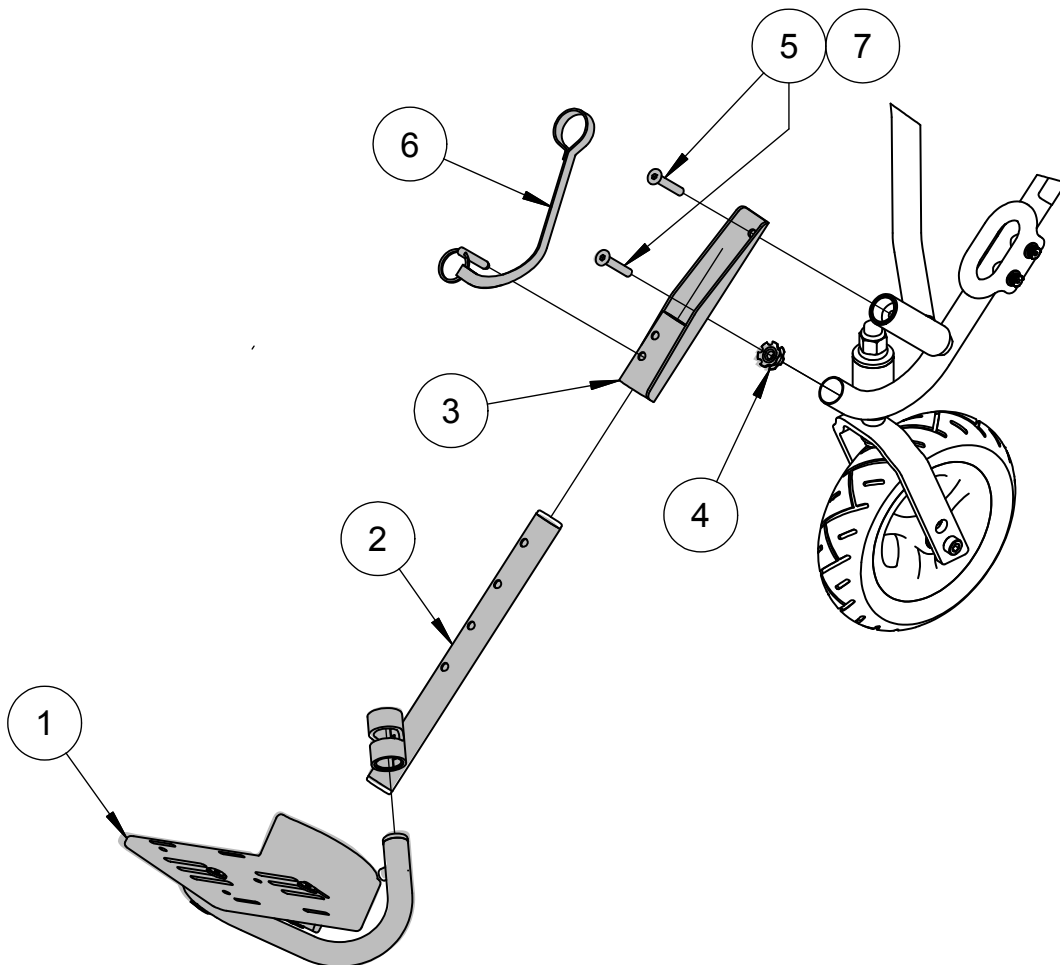
996210

Kit Includes

| Item | Description | Qty |
|------|-------------------------------------|-----|
| 1 | Footrest Assembly: Adult, LH | 1 |
| 2 | Footplate Adjustment Tube, LH | 1 |
| 3 | Footrest Extension Housing Assembly | 1 |
| 4 | Tube Connector 7/8" Heavy Duty | 1 |
| 5 | Screw 1/4"-20 x 1-1/2" Flat Skt | 2 |
| 6 | Detent Pin With Webbing Assembly | 1 |
| 7 | Thread Locker-Medium-Vibra-tite | 1 |



Assembled



INSTRUCTIONS

Standard Footplate Assy Kit - Left

1. Pull out metal pin and remove the existing footplate extension tube. **Item 2**
2. Using a 5/32" allen wrench, remove both bolts from the housing bracket on the frame and remove existing footplate assembly components.
3. If needed, install tube connector **Item 4** into the front leg by hammering or pressing it into the front leg tube.
4. Slide the loop portion of the detent pin with webbing assembly over the front x-brace tube.
5. Align footrest extension housing **Item 3** with the front leg.
6. Apply some thread locker **Item 7** on the thread portion of the screws **Item 5**.
7. Using a 5/32" allen wrench, attach the footrest extension housing onto the front leg using the screws provided **Item 5**.
8. Reattach the footplate adjustment tube and secure it with the detent pin **Item 6**.