

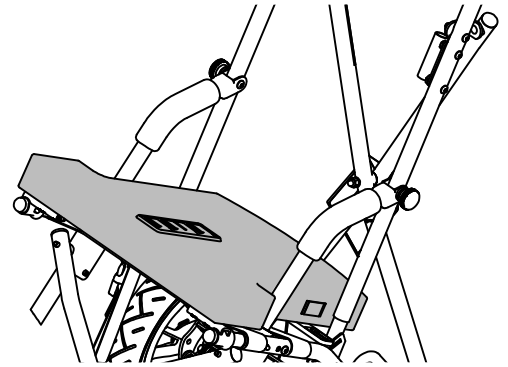
PELVIC POSITIONING

Support Seat Cushion Assy

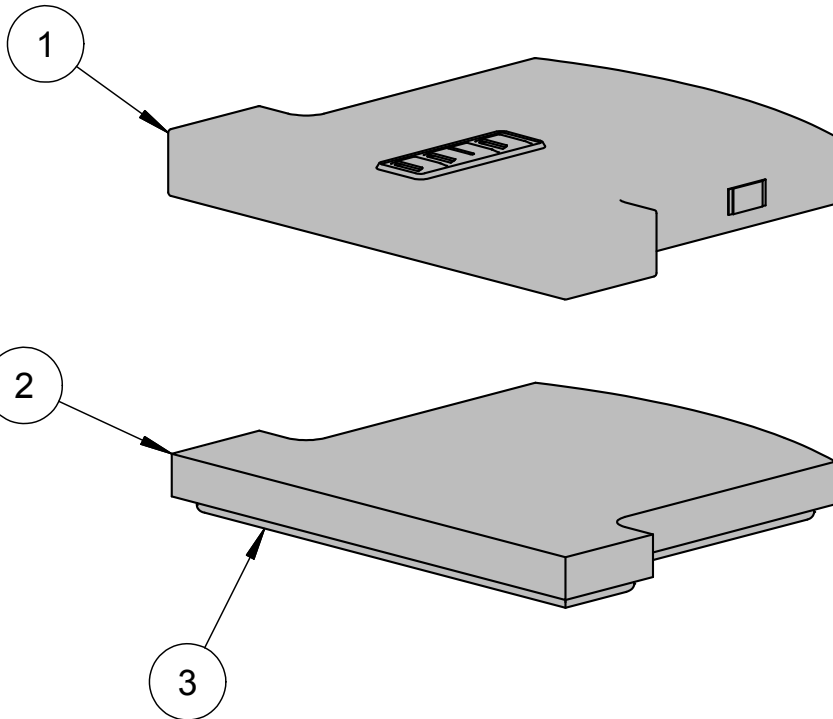
995919

Kit Includes

Item	Description	Qty
1	CX-10 Sensiform Support Cover	1
2	CX-10 Sensiform Support Cushion	1
3	Solid Seat Insert	1



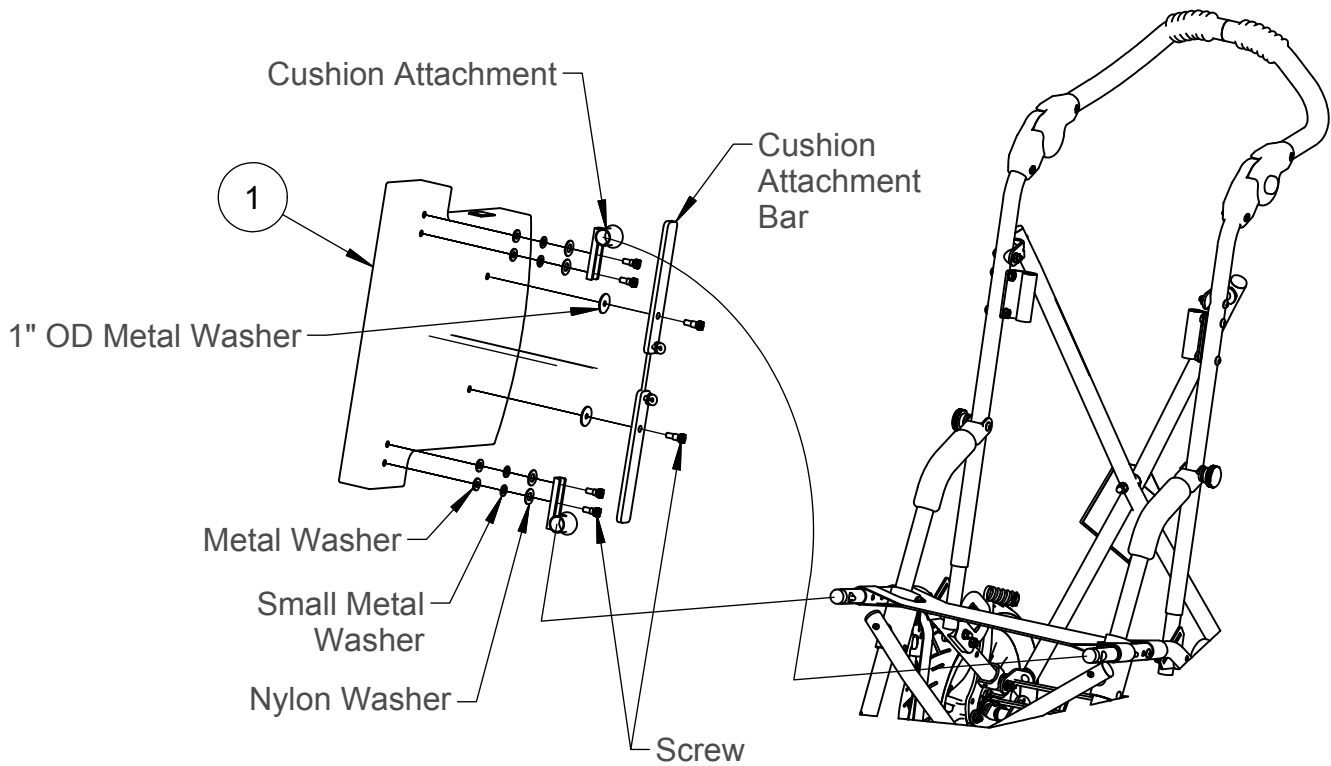
Assembled



INSTRUCTIONS

Support Seat Cushion Assy

1. Use a 5/32" allen wrench to remove the hardware attached on the existing cushion.
2. Reattach hardware to the new cushion. Be sure to follow the schematic to place the washers in the proper order.



If you have any questions about attaching the Cushion Assy, please call our Sales Department at 888 CONVAID (266-8243) or +1 310 618-0111.