

WHEELS

EZ RIDER 12,14,16

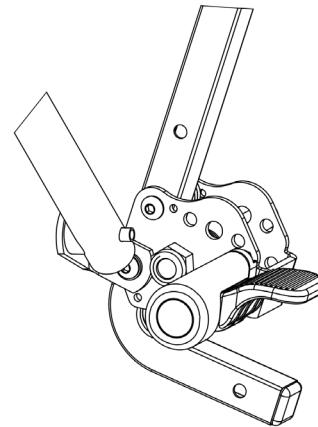
R82 Wheel Lock Assembly - Each

#997308a - LH

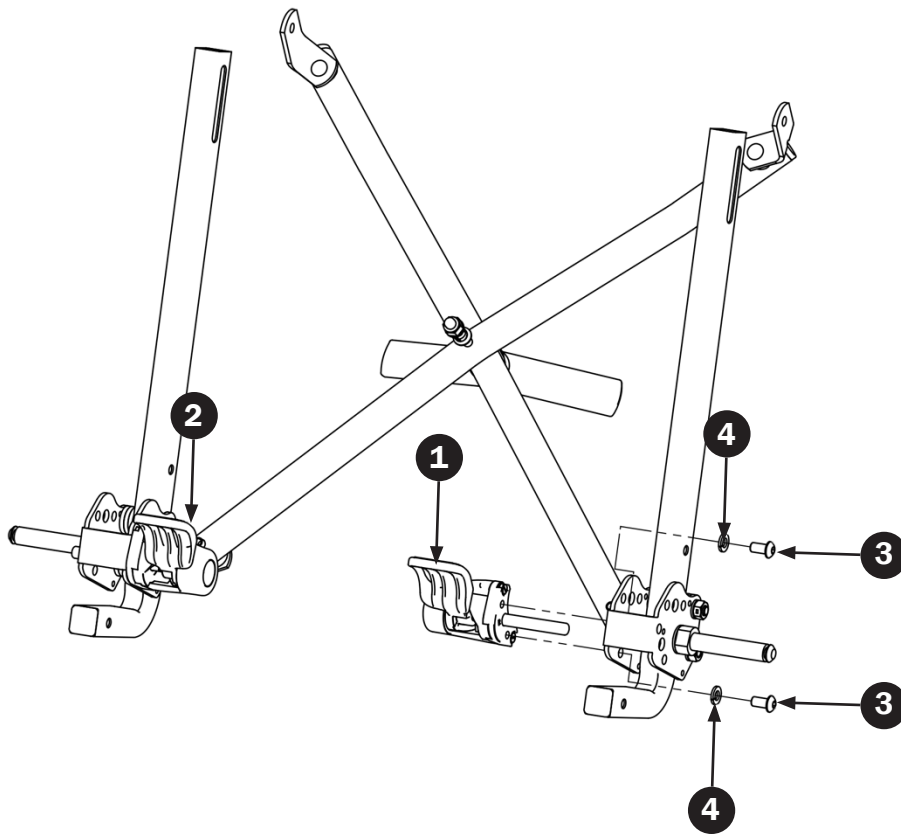
#997309a - RH

Kit Includes

Item	Parts#	Description	Qty
1	509415	R82 Brake Assembly (RH)	1
2	509414	R82 Brake Assembly (LH)	1
3	100625	Bolt 1/4"-20 X 1/2" Socket Button Head	4
4	101029	Split Lock Washer 1/4" ID	4



Assembled



Close Up

If you have any questions,
please call our Sales Department at 1-844-US-MOBILITY (844-876-6245).

INSTRUCTIONS

R82 Wheel Lock Assembly - Each (Left/Right)

1. Remove rear wheel from the frame.
2. Using a 5/32" allen wrench, remove the two bolts connecting the brake assembly with the brake bracket.
3. Remove the existing brake assembly.
4. Align the holes on the brake bracket and install the replacement brake assembly.
(**ITEM 1** for right side and **ITEM 2** for left side)
5. Attach **ITEM 1** using the washers **ITEM 4** and bolt **ITEM 3** with a 5/32" allen wrench.
6. Repeat for opposite side.