

# R82 Flamingo | Flamingo High-Low

## CAD Retail Price List/ Order Form



Account #: \_\_\_\_\_ Purchase Order No.: \_\_\_\_\_ Date: \_\_\_\_\_  
 Contact: \_\_\_\_\_ Mark For: \_\_\_\_\_

Bill To:	Ship To:
Address:	Address:
City/State/Zip:	
Phone:	City/State/Zip:
Email	Phone:

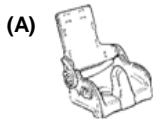
### Flamingo Standard Features:

- Size 1, 2, 3, 4
- Height Adjustable and Foldable Frame
- 4 White Locking Castors
- Tilt in Space (+5° to -35°)
- Aluminum Frame
- Reclining Back
- 100% Waterproof Upholstery for Seat and Back
- Active Back (No Sides)
- Upholstery Available in Blue
- Splash Guard - High Model

### Flamingo High-Low Standard Features:

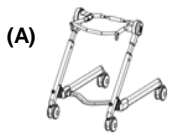
- Size 1, 2, 3, 4
- Height Adjustable Frame
- 4 White Locking Castors
- Tilt in Space
- Foot Support
- Reclining Back
- Stainless Steel Frame
- Active Back (No Sides)
- 100% Waterproof Upholstery for Seat and Back
- Splash Guard - High Model
- Upholstery Available in Blue

### Flamingo Seat and Back



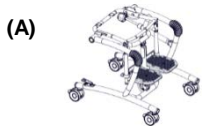
		<u>Size</u>	<u>CAD Price</u>	<u>Part No.</u>
<input type="checkbox"/> Flamingo Seat and Back, Blue (A)		1	\$686	880101-61
<input type="checkbox"/> Flamingo Seat and Back, Blue (A)		2	\$686	880102-61
<input type="checkbox"/> Flamingo Seat and Back, Blue (A)		3	\$686	880103-61
<input type="checkbox"/> Flamingo Seat and Back, Blue (A)		4	\$748	880104-61

### Flamingo Frame



		<u>Size</u>	<u>CAD Price</u>	<u>Part No.</u>
<input type="checkbox"/> Flamingo Frame w/out Footrest (A)		1	\$811	880201-NL
<input type="checkbox"/> Flamingo Frame w/out Footrest (A)		2	\$811	880202-NL
<input type="checkbox"/> Flamingo Frame w/out Footrest (A)		3	\$811	880203-NL
<input type="checkbox"/> Flamingo Frame w/out Footrest (A)		4	\$935	880204-NL

### Flamingo High-Low Bath Frame



		<u>Size</u>	<u>CAD Price</u>	<u>Part No.</u>
<input type="checkbox"/> High-Low Bath Frame w/ Footrest (A)		1	\$2,756	880411
<input type="checkbox"/> High-Low Bath Frame w/ Footrest (A)		2	\$2,756	880412
<input type="checkbox"/> High-Low Bath Frame w/ Footrest (A)		3	\$2,756	880413
<input type="checkbox"/> High-Low Bath Frame w/ Footrest (A)		4	\$2,831	880414

### Back Option



		<u>Size</u>	<u>CAD Price</u>	<u>Part No.</u>
<input type="checkbox"/> Back Extension (H: 4" x L: 9") (A)*		1, 2	\$187	880118-61
<input type="checkbox"/> Back Extension (H: 4" x L: 9" - 10.2") (A)*		3, 4	\$187	880119-61
<input type="checkbox"/> Mounting Rod for Back Extension		7.9"	\$57	880120
<input type="checkbox"/> Back Reinforcement Kit (B)		3, 4	\$318	880155

(A)\* Requires Mounting Rod for Back Extension

		<b>Pelvic Positioning</b>	<b>Size</b>	<b>CAD Price</b>	<b>Part No.</b>
(A)	(B)	<input type="checkbox"/> Upholstery, Seat w/ Wide Sides, Blue (A)*	2	\$131	880166-61
		<input type="checkbox"/> Upholstery, Seat w/ Wide Sides, Blue (A)*	3	\$137	880167-61
		<input type="checkbox"/> Upholstery, Seat w/ Wide Sides, Blue (A)*	4	\$143	880168-61
		<input type="checkbox"/> Seat Infill for Seat, Blue (B)	1	\$69	880185-61
		<input type="checkbox"/> Seat Infill for Seat, Blue (B)	2	\$69	880186-61
		<input type="checkbox"/> Seat Infill for Seat, Blue (B)	3	\$75	880187-61
		<input type="checkbox"/> Seat Infill for Seat, Blue (B)	4	\$75	880188-61
		<input type="checkbox"/> Seat Belt w/ Plastic Lock	One Size	\$37	85100
<b>(A)* Does not include Splashguard. Reduces sz 2 &amp; 3 width by 2", and sz 3 by 3.5"</b>					

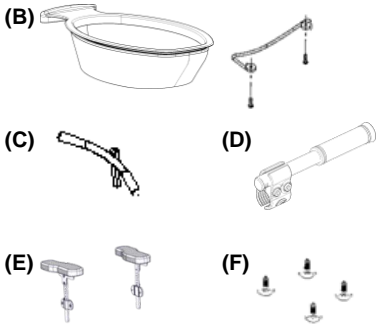
		<b>Foot &amp; Leg Positioning</b>	<b>Size</b>	<b>CAD Price</b>	<b>Part No.</b>
(A)	(B)	<input type="checkbox"/> Flamingo Foot Support (A)	1	\$249	880211
		<input type="checkbox"/> Flamingo Foot Support (A)	2	\$249	880212
		<input type="checkbox"/> Flamingo Foot Support (A)	3	\$249	880213
		<input type="checkbox"/> Flamingo Foot Support (A)	4	\$249	880214
		<input type="checkbox"/> Calf Support (H: 3.9" x L: 41.7") (B)	One Size	\$82	880199
		<input type="checkbox"/> Footrest Straps, Pair		\$70	85096

		<b>Trunk Positioning</b>	<b>Size</b>	<b>CAD Price</b>	<b>Part No.</b>
(A)	(B)	<input type="checkbox"/> Bar, Straight, Stainless (A)**	3¼"	\$0	82569
		<input type="checkbox"/> Bar, Straight, Stainless (A)**	6¼"	\$0	82648
		<input type="checkbox"/> Cushion, Curved, Blue Each (B)**	A: 2½", B: 5¾"	\$131	6075409
		<input type="checkbox"/> Cushion, Curved, Blue Each (B)**	A: 2½", B: 6½"	\$131	6075408
(C)	(D)	<input type="checkbox"/> Cushion, Curved, Blue Each (B)**	A: 3¾", B: 7½"	\$131	6075407
		<input type="checkbox"/> Protection Pads, Each		\$115	89151
		<input type="checkbox"/> Swing-Away Bracket, Right, Each (C)**	A: 1¾", B: 4¾"	\$281	83300-R
		<input type="checkbox"/> Swing-Away Bracket, Left, Each (C)**	A: 1¾", B: 4¾"	\$281	83300-L
(E)	(F)	<input type="checkbox"/> Swing-Away Bracket, Right, Offset, Each (D)	A: 2¼", B: 5"	\$281	83500-R
		<input type="checkbox"/> Swing-Away Bracket, Left, Offset, Each (D)	A: 2¼", B: 5"	\$281	83500-L
		<input type="checkbox"/> Sides for Back w/ Upholstery, Blue (E)*	1	\$162	880111-61
		<input type="checkbox"/> Sides for Back w/ Upholstery, Blue (E)*	2	\$162	880112-61
		<input type="checkbox"/> Sides for Back w/ Upholstery, Blue (E)*	3	\$162	880113-61
		<input type="checkbox"/> Sides for Back w/ Upholstery, Blue (E)*	4	\$175	880114-61
		<input type="checkbox"/> Vest, Water-Proof Mesh (F)	0	\$249	89111-040
		<input type="checkbox"/> Vest, Water-Proof Mesh (F)	¾	\$249	89111-07540
		<input type="checkbox"/> Vest, Water-Proof Mesh (F)	1	\$249	89111-140
		<input type="checkbox"/> Vest, Water-Proof Mesh (F)	2	\$249	89111-240
		<input type="checkbox"/> H-Harness w/ Plastic Lock		\$75	85105
<b>(A), (B), (C)** Required to complete Swing-Away Lateral Assy</b>					
<b>(E)* Cannot be combined w/ Swing-Away Lateral Supports</b>					

		<b>Head Support</b>	<b>Size</b>	<b>CAD Price</b>	<b>Part No.</b>
(A)	(B)	<input type="checkbox"/> Head Support No. 1, Blue PU (A)		\$256	6071000
		<input type="checkbox"/> Head Support No. 2, Blue PU (B)		\$256	6072000
(C)	(D)	<input type="checkbox"/> Head Support No. 3, Blue PU (C)		\$256	6073000
		<input type="checkbox"/> Head Support No. 4, Blue PU (D)		\$256	6074000
(E)		<input type="checkbox"/> Turtle Bar System, Short (E)	5.1"	\$287	98619-24

		<b>Frame Options</b>	<b>Size</b>	<b>CAD Price</b>	<b>Part No.</b>
(A)		<input type="checkbox"/> Commode Pan w/ Holder for Flamingo (A)	1	\$150	880121
		<input type="checkbox"/> Commode Pan w/ Holder for Flamingo (A)	2	\$150	880122
		<input type="checkbox"/> Commode Pan w/ Holder for Flamingo High-low (A)	1	\$150	880121-HL
		<input type="checkbox"/> Commode Pan w/ Holder for Flamingo High-low (A)	2	\$150	880122-HL
		<input type="checkbox"/> Commode Pan w/ Holder for Flamingo & High-Low (A)	3	\$150	880123
		<input type="checkbox"/> Commode Pan w/ Holder for Flamingo & High-Low (A)	4	\$150	880124

**Frame Options Continued**

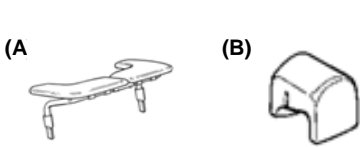


	<b>Size</b>	<b>CAD Price</b>
<input type="checkbox"/> Potty Ring w/ Holders <b>(B)*</b>	1	\$162
<input type="checkbox"/> Potty Ring w/ Holders <b>(B)*</b>	2	\$162
<input type="checkbox"/> Potty Ring w/ Holders <b>(B)*</b>	3	\$162
<input type="checkbox"/> Potty Ring w/ Holders <b>(B)*</b>	4	\$162
<input type="checkbox"/> Push Brace <b>(C)</b>	One Size	\$118
<input type="checkbox"/> Push Handle for Flamingo High-Low <b>(D)</b>	1, 2	\$106
<input type="checkbox"/> Push Handle for Flamingo High-Low <b>(D)</b>	3, 4	\$106
<input type="checkbox"/> Single Post Armrest (L: 9"), Set <b>(E)</b>	One Size	\$187
<input type="checkbox"/> Suction Cups for Seat <b>(F)</b>	One Size	\$168

<b>Part No.</b>
880121-PR
880122-PR
880123-PR
880124-PR
880110
880110-HL
880110-HLL
880152
880150

**(B)\* Potty ring required for use over the commode**

**(E)\* Armrest cannot be used together w/ Sides for Back - 88011X-X**



**Accessories**

	<b>Size</b>	<b>CAD Price</b>
<input type="checkbox"/> Swing-Away Armrest/Tray, Blue <b>(A)</b>	1	\$249
<input type="checkbox"/> Swing-Away Armrest/Tray, Blue <b>(A)</b>	2	\$249
<input type="checkbox"/> Swing-Away Armrest/Tray, Blue <b>(A)</b>	3	\$249
<input type="checkbox"/> Swing-Away Armrest/Tray, Blue <b>(A)</b>	4	\$249
<input type="checkbox"/> Splashguard, Low Model, Blue <b>(B)</b>	1	\$47
<input type="checkbox"/> Splashguard, Low Model, Blue <b>(B)</b>	2, 3, 4	\$47

<b>Part No.</b>
880131-61
880132-61
880133-61
880134-61
880195-61
880196-61

**IMPORTANT: No returns or exchanges of hygiene products**

**For shipping rates, please call 1-844-876-6245**

PO Box 1739 Matthews, NC 28106 • 1-844-876-6245 • Fax: 704-882-0751

Prices in USD & is subject to change w/out notice

For Quotes and Orders please send completed Order Form to: us.info@r82.com

Effective: 10/9/2017

Rev 5

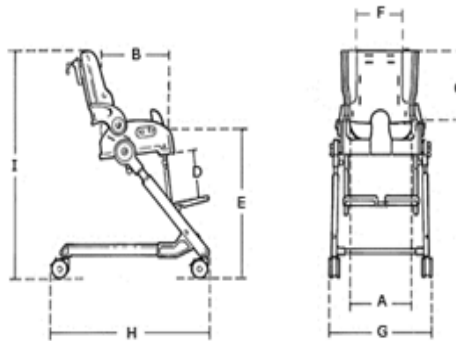
## Flamingo Configuration

- Flamingo/Flamingo High-low
- Head support
- Push handle/push brace
- Side supports
- Arm rest/tray
- Commode pan/potty ring
- Vests and belts



A (Back height) \_\_\_\_\_  
 B (Arm height) \_\_\_\_\_  
 C (Lower leg length) \_\_\_\_\_  
 D (Seat depth) \_\_\_\_\_  
 E (Chest width) \_\_\_\_\_  
 F (Seat width) \_\_\_\_\_  
 G (Height from seat to top of head) \_\_\_\_\_  
 H (Shoulder width) \_\_\_\_\_  
 Age \_\_\_\_\_  
 Weight \_\_\_\_\_

## Measurements



	Size 1 Inches	Size 2 Inches	Size 3 Inches	Size 4 Inches
<b>Seat width (A)</b>	9¼"	11"	12½"	13¼"
<b>Seat depth (B)</b>	9¾"	11¼"	13¾"	15½"
<b>Back height (C)</b>	13¾"	14¾"	16½"	18¼"
<b>Lower leg length (D)</b>	18" - 26"	25" - 35"	30" - 40"	30" - 40"
<b>-</b>	7" - 10"	9¾" - 13½"	11¾" - 15½"	11¾" - 15½"
<b>Seat height (E)</b>	50" - 60"	50" - 60"	50" - 60"	50" - 60"
<b>-</b>	19½" - 23½"	19½" - 23½"	19½" - 23½"	19½" - 23½"
<b>Back width (F)</b>	7¾"	8½"	10¼"	11½"
<b>Width, frame (G)</b>	17"	18"	19¼"	21"
<b>Length, frame (H)</b>	26"	26"	26"	26"
<b>Height, frame w/seat (I)</b>	33½"	35"	36½"	37"
<b>Seat height, folded</b>	9½"	10"	10½"	10½"
<b>Seat length, folded</b>	14½"	15½"	17"	18½"
<b>Frame height, folded</b>	8"	8"	8"	8"
<b>Frame length, folded</b>	29"	29"	29P	29"
<b>Weight</b>	24 lbs.	29 lbs.	31 lbs.	33 lbs.
<b>Max. Load/user weight</b>	77 lbs.	110 lbs.	132 lbs.	154 lbs.
<b>Angling</b>				
Seat		-15°-+35°	Back	-90°-30°
Foot support bar			90°-60°	

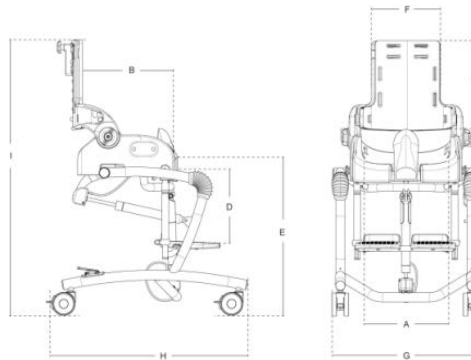
## Flamingo High-Low Configuration

- Flamingo/Flamingo High-low
- Head support
- Push handle/push brace
- Side supports
- Arm rest/tray
- Commode pan/potty ring
- Vests and belts



- A (Back height) \_\_\_\_\_
- B (Arm height) \_\_\_\_\_
- C (Lower leg length) \_\_\_\_\_
- D (Seat depth) \_\_\_\_\_
- E (Chest width) \_\_\_\_\_
- F (Seat width) \_\_\_\_\_
- G (Height from seat to top of head) \_\_\_\_\_
- H (Shoulder width) \_\_\_\_\_
- Age \_\_\_\_\_
- Weight \_\_\_\_\_

### Measurements



	Size 1 Inches	Size 2 Inches	Size 3 Inches	Size 4 Inches
Seat width (A)	9¼"	11"	12½"	13¼"
Seat depth (B)	9¾"	11¼"	13¾"	15½"
Back height (C)	13¾"	14¾"	16½"	18¼"
Lower leg length (D)	7¼" - 9¾"	9" - 13¼"	11¾" - 16½"	11¾" - 16½"
Seat height above floor (E)	20¾" - 28¾"	20¾" - 28¾"	20¾" - 28¾"	20¾" - 28¾"
Back width (F)	7¼"	8½"	10¼"	11"
Frame width (G)	19½"	19½"	22¼"	22¼"
Frame length (H)	25"	25"	29½"	29½"
Total height (I)	33½" - 42"	35¾" - 43¼"	36¾" - 45¾"	39¾" - 46¾"
Seat, total width	13¾"	14¾"	16¾"	18¾"
Seat, total depth	10¼"	12¼"	14"	16½"
Seat, total height	15½"	16¾"	18¾"	19¾"
Back angling	-90°-+30°	-90°-+30°	-90°-+30°	-90°-+30°
Tilt in space	-5°-+20° *	-5°-+20°	-5°-+20°	-5°-+20°
Foot support angle	90°-75°	90°-75°	90°-75°	90°-75°
Weight, total	31 lbs.	32 lbs.	36½ lbs.	37½ lbs.
Weight, frame	25½ lbs.	25½ lbs.	27½ lbs.	27½ lbs.
Weight, seat	5½ lbs.	6½ lbs.	9 lbs.	10 lbs.
Max. load, total	77 lbs.	110 lbs.	132 lbs.	154 lbs.
Max. load, seat	77 lbs.	110 lbs.	132 lbs.	154 lbs.
Max. load, operating force	77 lbs.	77 lbs.	121 lbs.	121 lbs.

\* The -5° tilt is obtainable at 55 cm (19½") seat height above floor