

Convoid Trekker - HCPCS E1234

Retail Price List / Order Form

Account #: _____

Purchase Order #: _____ Date: _____

Contact: _____

Mark For: _____

Bill To:	Ship To:
Address:	Address:
City/State/Zip:	
Phone:	City/State/Zip:
Email:	Phone:

Trekker Standard Features:

- | | |
|---|--|
| <ul style="list-style-type: none"> ● TR14 Base Accepts TR12 & TR14 Seating ● Tilt-in-Space (-10° to +45°) ● 180° Reversible Seating Configuration ● 90° Fixed Front Rigging ● Single Foot Activated Wheel Lock Bar ● 7.5" x 2" Front and 11.5" x 2.5" Rear Solid Tires ● One Piece Height Adjustable Push Handle (Inside Mount) | <ul style="list-style-type: none"> ● Silver Powder Coated Frame ● 90° Fixed Footplate ● Quick Release Rear Wheels ● Seat to Back Angle (80° to 110°) ● Comfort Wing Support ● Depth Adjustable Seat Pan ● Made in the USA |
|---|--|

Standard Models:

- Trekker TR14 - 904661

Price

\$2,395

<u>Trekker Seating Module</u>	<u>Price</u>	<u>HCPCS</u>	<u>TR14</u>
Back Module Options - Select one below:			
<input type="checkbox"/> Back Canes Only (12) ¹	N/C		904768
<input type="checkbox"/> Back Canes Only (14) ¹	N/C		904769
<input type="checkbox"/> Height Adjustable Solid Back (12) (Back Height Adjustment Range 9" - 17") ¹	\$525	E2293	904662
<input type="checkbox"/> Height Adjustable Solid Back (14) (Back Height Adjustment Range 17" - 26") ¹	\$525	E2293	904663
<input type="checkbox"/> Comfort Wings Assembly (LH) (12) (Required with TR12 Back Pan)	N/C		904617
<input type="checkbox"/> Comfort Wings Assembly (RH) (12) (Required with TR12 Back Pan)	N/C		904618
Back Cushion:			
<input type="checkbox"/> Snuggle Upholstery Back Cushion - Short (12: 12x18)	N/C		904696
<input type="checkbox"/> Snuggle Upholstery Back Cushion - Short (14: 14x20)	N/C		904698
<input type="checkbox"/> Snuggle Upholstery Back Cushion - Tall (14: 14x23)	N/C		904699
Seating Module Options (See chart on last page of order form):			
<input type="checkbox"/> TR12 Seat Depth Position 1	\$0		905354
<input type="checkbox"/> TR12 Seat Depth Position 2	\$0		905355
<input type="checkbox"/> TR12 Seat Depth Position 3	\$0		905356
<input type="checkbox"/> TR14 Seat Depth Position 1	\$0		905357
<input type="checkbox"/> TR14 Seat Depth Position 2	\$0		905358
<input type="checkbox"/> TR14 Seat Depth Position 3	\$0		905359
<input type="checkbox"/> TR14 Seat Depth Position 4	\$0		905360
Upholstery Color:			
<input type="checkbox"/> Panther Black	N/C		903854
<input type="checkbox"/> Royal Blue	N/C		903850
<input type="checkbox"/> Chocolate Brown	N/C		904189
<input type="checkbox"/> Forest Green	N/C		903857
<input type="checkbox"/> Sassy Purple	N/C		903851
<input type="checkbox"/> Princess Pink	N/C		903759
<input type="checkbox"/> Cherry Red	N/C		903855
<input type="checkbox"/> Aqua Blue	N/C		904753
<input type="checkbox"/> Apple Green	N/C		904754
Extra Back Cushion Options*			
<input type="checkbox"/> Lumbar Support	\$35	K0108	904664
Contoured Seat Cushion*²			
<input type="checkbox"/> Snuggle Contoured Seat Cushion - Short Cordura (12: 12x11)	\$325	E2294	905414
<input type="checkbox"/> Snuggle Contoured Seat Cushion - Short Cordura (14: 14x13)	\$325	E2294	904781
<input type="checkbox"/> Snuggle Contoured Seat Cushion - Long Cordura (12: 12x14)	\$325	E2294	905415
<input type="checkbox"/> Snuggle Contoured Seat Cushion - Long Cordura (14: 14x16)	\$325	E2294	904783
<input type="checkbox"/> Snuggle Contoured Seat Cushion - Short Spacer Fabric (12: 12x11)	\$325	E2294	904780
<input type="checkbox"/> Snuggle Contoured Seat Cushion - Long Spacer Fabric (12: 12x14)	\$325	E2294	904782
<input type="checkbox"/> Snuggle Contoured Seat Cushion - Short Spacer Fabric (14: 14x13)	\$325	E2294	905429
<input type="checkbox"/> Snuggle Contoured Seat Cushion - Long Spacer Fabric (14: 14x16)	\$325	E2294	905430
Planar Seat Cushion*²			
<input type="checkbox"/> Snuggle Planar Seat Cushion - Short Cordura (12: 12x12)	\$295	E2292	905412
<input type="checkbox"/> Snuggle Planar Seat Cushion - Short Cordura (14: 14x14)	\$295	E2292	904710
<input type="checkbox"/> Snuggle Planar Seat Cushion - Long Cordura (12: 12x15)	\$295	E2292	905413
<input type="checkbox"/> Snuggle Planar Seat Cushion - Long Cordura (14: 14x17)	\$295	E2292	904711
<input type="checkbox"/> Snuggle Planar Seat Cushion - Short Spacer Fabric (14: 14x14)	\$295	E2292	905425
<input type="checkbox"/> Snuggle Planar Seat Cushion - Long Spacer Fabric (14: 14x17)	\$295	E2292	905426
<input type="checkbox"/> Snuggle Planar Seat Cushion - Short Spacer Fabric (12: 12x12)	\$295	E2292	904708
<input type="checkbox"/> Snuggle Planar Seat Cushion - Long Spacer Fabric (12: 12x15)	\$295	E2292	904709

¹Manufacturer Installation Required.

²Fast tab is only added to Cushion if 3-Pt Belt is added. New Cushion is required if 3-Pt Belt is added after-market.

*All seat cushions must have fast tab for aftermarket 3-Pt Belt and H-Harness.

<u>Transit Required Items[^]</u>		<u>Price</u>	<u>HCPCS</u>	<u>TR14</u>
<input type="checkbox"/>	Transit Option (Manufacturer Installation Required)	\$200	K0108	904576
<input type="checkbox"/>	Using other manufacturer's Head Support	\$0		995681
<i>[^]Requires Head Support and Pelvic Positioning Belt</i>				
<u>Transit Options</u>		<u>Price</u>	<u>HCPCS</u>	<u>TR14</u>
<input type="checkbox"/>	Q'Straint Transit Lap Belt	\$90	E0978	903094
<input type="checkbox"/>	Sure-Lok Transit Lap Belt	\$90	E0978	903232
<u>Pelvic Positioning</u>		<u>Price</u>	<u>HCPCS</u>	<u>TR14</u>
<input type="checkbox"/>	2-Point Pelvic Positioning Belt (Size 0)	\$45	E0978	905386
<input type="checkbox"/>	3-Pt Positioning Belt (Trekker Seat Cushion Required)	\$49	E0978	904017T
4-Point Pelvic Positioning Belt by R82 (Hardware Required)				
<input type="checkbox"/>	W: 9-10.25" X D: 21.5" (Size 0)	\$135	K0108	905148
<input type="checkbox"/>	W: 10.25-11.25" X D: 21.5" (Size 1)	\$135	K0108	905149
<input type="checkbox"/>	W: 12-13.5" X D: 21.5" X H: 19.5" (Size 2)	\$135	K0108	905150
<input type="checkbox"/>	W: 14-15.5" X D: 21.5" X H: 19.5" (Size 3)	\$135	K0108	905151
<input type="checkbox"/>	Camlock Kit for 4-Point Belt	N/C		905395
Left Width, Height Adj. Lateral Pelvic Support (Hip Guide w/out Armrest)				
<input type="checkbox"/>	Small - 4.5" - 5.5" (H)* (12)	\$120	E0956	904935
<input type="checkbox"/>	Large - 5.25" - 6.25" (H)* (12)	\$120	E0956	905040
<input type="checkbox"/>	Small - 4.5" - 5.5" (H)* (14)	\$120	E0956	905042
<input type="checkbox"/>	Large - 5.25" - 6.25" (H)* (14)	\$120	E0956	904937
Right Width, Height Adj. Lateral Pelvic Support (Hip Guide w/out Armrest)				
<input type="checkbox"/>	Small - 4.5" - 5.5" (H)* (12)	\$120	E0956	904936
<input type="checkbox"/>	Large - 5.25" - 6.25" (H)* (12)	\$120	E0956	905041
<input type="checkbox"/>	Small - 4.5" - 5.5" (H)* (14)	\$120	E0956	905043
<input type="checkbox"/>	Large - 5.25" - 6.25" (H)* (14)	\$120	E0956	904938
Left Width, Adj Pelvic Support w/Height Adj. Armrest (Hip Guide w/ Armrest) (n/a w/Tray)				
<input type="checkbox"/>	Small - 5"-6"(H) (12)*	\$145	E0956	904611
<input type="checkbox"/>	Small - 5"-6"(H) (14)*	\$145	E0956	904613
<input type="checkbox"/>	Large - 7"-8" (H)* (14)	\$145	E0956	904927
Right Width, Adj Pelvic Support w/Height Adj. Armrest (Hip Guide w/ Armrest) (n/a w/Tray)				
<input type="checkbox"/>	Small - 5"-6"(H) (12)*	\$145	E0956	904612
<input type="checkbox"/>	Small - 5"-6"(H) (14)*	\$145	E0956	904614
<input type="checkbox"/>	Large - 7"-8" (H)* (14)	\$145	E0956	904928

**Height is reduced by 1" when used with Planar Seat Cushion or 2" if used with Contoured Seat Cushion.*

<u>Foot & Leg Positioning</u>		<u>Price</u>	<u>HCPCS</u>	<u>TR14</u>
<input type="checkbox"/>	Angle Adjustable Elevating Leg Rest (90° - 180°) Pair (12) ¹	\$250	K0195	905046
<input type="checkbox"/>	Angle Adjustable Elevating Leg Rest (90° - 180°) Pair (14) ¹	\$250	K0195	905047
<input type="checkbox"/>	Padded Elevating Legrest Cover (Pair)	\$15	K0108	904619
<input type="checkbox"/>	Individual Angle Adjustable Footplates - Pair (Elevating Leg Rest Required) (12) ¹	\$179	K0040	905049
<input type="checkbox"/>	Individual Angle Adjustable Footplates - Pair (Elevating Leg Rest Required) (14) ¹	\$179	K0040	905050
<input type="checkbox"/>	One Piece Angle Adjustable Flip Up Footplate (-15° - +15°) (12)	\$110	K0040	904568
<input type="checkbox"/>	One Piece Angle Adjustable Flip Up Footplate (-15° - +15°) (14)	\$110	K0040	904596
<input type="checkbox"/>	Full Padded Footbox (One-Piece Footplate Required) (12)	\$325	K0108	904955
<input type="checkbox"/>	Full Padded Footbox (One-Piece Footplate Required) (14)	\$325	K0108	904956
Medial Knee Abductor (Pommel)				
<input type="checkbox"/>	Small (1.5" front width, 3.5" depth, 2" back width, 2.25" height)	\$162	E0957	904557
<input type="checkbox"/>	Medium (2.6" front width, 4.1" depth, 2" back width, 2.7" height)	\$162	E0957	904591
Foot Positioners (Pair)**				
<input type="checkbox"/>	Small 7" - 10"	\$156	K0108	903415
<input type="checkbox"/>	Medium 8" - 11"	\$156	K0108	903416
<input type="checkbox"/>	Large 9" - 12"	\$156	K0108	903417
Therafin Shoe Holders w/Padded Straps (Pair)**				
<input type="checkbox"/>	Small	\$188	K0108	904679
<input type="checkbox"/>	Medium	\$188	K0108	904680
<input type="checkbox"/>	Calf Panel (E.I.) H: 3.5" ^^	\$61	E0995	905370
<input type="checkbox"/>	Calf Panel (Standard) H: 6"	\$61	E0995	904580

***Cannot be used during transit.*

¹Manufacturer Installation Required.

^^Use with Seat-to-Footplate range 4" - 7".

<u>Trunk Positioning</u>		<u>Price</u>	<u>HCPCS</u>	<u>TR14</u>
<input type="checkbox"/>	H-Harness w/ Padded Covers^^^	\$130	E0960	904695
Neoprene Vest by R82 (Hardware Required)				
<input type="checkbox"/>	W: 7" x D: 5.5" x H: 4" (Size 1)	\$200	E0960	905152
<input type="checkbox"/>	W: 6.5" x D: 9" x H: 6.75" (Size 2)	\$200	E0960	905153
<input type="checkbox"/>	W: 11.25" x D: 7.75" x H: 7" (Size 3)	\$200	E0960	905154
<input type="checkbox"/>	Camlock Kit for Vest (Required for Vest)	N/C		905394
Chest Belt, Upholstered by R82 (Hardware Required)				
<input type="checkbox"/>	W: 11.25" x D: 7.5" x H: 9.25-12" (Size 1)	\$270	E0960	905155
<input type="checkbox"/>	W: 14" X D: 10.25" X H: 10.25-12.75" (Size 2)	\$270	E0960	905156
<input type="checkbox"/>	W: 16.25" X D: 12.5" X H: 10.25-12.75" (Size 3)	\$270	E0960	905157
<input type="checkbox"/>	W: 20.25" X D: 16" X H: 11.25-14.5" (Size 4)	\$270	E0960	905158
<input type="checkbox"/>	Camlock Kit for Vest (Required for Vest)	N/C		905394
Cross Vest by R82 (Hardware Required)				
<input type="checkbox"/>	W: 4.5" X D: .5" X H: 11" (Size 0)	\$190	E0960	905176
<input type="checkbox"/>	W: 5" X D: .5" X H: 12" (Size 1)	\$190	E0960	905177
<input type="checkbox"/>	W: 5.2" X D: .5" X H: 12.75" (Size 2)	\$190	E0960	905178
<input type="checkbox"/>	W: 6.25" X D: 4.75" X H: 15.25" (Size 3)	\$190	E0960	905179
<input type="checkbox"/>	W: 7.5" X D: 6.75" X H: 18.25" (Size 4)	\$190	E0960	905180
<input type="checkbox"/>	Camlock Kit for Vest (Required for Vest)	N/C		905394
Left - Width, Height Adj. Lateral Thoracic Support - Fixed Laterals				
<input type="checkbox"/>	Size 1: 4" (D) x 4.5" (H)****^	\$145	E0956	904760
<input type="checkbox"/>	Size 2: 5" (D) x 4.5" (H)****^	\$145	E0956	904876
<input type="checkbox"/>	Size 3: 6" (D) x 4.5" (H)****^	\$145	E0956	904877
Right - Width, Height Adj. Lateral Thoracic Support - Fixed Laterals				
<input type="checkbox"/>	Size 1: 4" (D) x 4.5" (H)****^	\$145	E0956	904761
<input type="checkbox"/>	Size 2: 5" (D) x 4.5" (H)****^	\$145	E0956	904886
<input type="checkbox"/>	Size 3: 6" (D) x 4.5" (H)****^	\$145	E0956	904887
Left - Height Adj. Lateral Thoracic Support - Swing Away Laterals				
<input type="checkbox"/>	Size 1: 4" (D) x 2.75" (H)*	\$118	E0956	904864
<input type="checkbox"/>	Size 2: 5.75" (D) x 4.25" (H)*	\$118	E0956	904866
<input type="checkbox"/>	Swing Away Adj. Hardware (Required for S/A Laterals)	\$238	E1028	904884
Right - Height Adj. Lateral Thoracic Support - Swing Away Laterals				
<input type="checkbox"/>	Size 1: 4" (D) x 2.75" (H)*	\$118	E0956	904865
<input type="checkbox"/>	Size 2: 5.75" (D) x 4.25" (H)*	\$118	E0956	904867
<input type="checkbox"/>	Swing Away Adj. Hardware (Required for S/A Laterals)	\$238	E1028	904885
<input type="checkbox"/>	1" Thick Padded Lateral Support Cover	\$50	E0960	905411

**Pad Size.*

^^^Requires the Height Adjustable Solid Back System and 3-Pt Belt.

*****Requires the Height Adjustable Solid Back System.*

^Depth of Laterals is reduced by 1" with back upholstery.

	Price	HCPCS	TR14
<input type="checkbox"/> Height Adjustable Curved Head Support****	\$225	E0955	904607
<input type="checkbox"/> Adjustable Wing Head Support****	\$265	E0955	904608
<input type="checkbox"/> Integrated Adj Head Support Assembly (TR12 Only)	\$67	E0955	904615
Anatomic Headrest with Cover by R82 (Requires Headrest Universal Mount & Swing-Away Mounting Bracket)			
<input type="checkbox"/> Small	\$255	E0955	904950
<input type="checkbox"/> Medium	\$255	E0955	904951
<input type="checkbox"/> Large	\$255	E0955	904952
Swing-Away Mounting Bracket - Height, Depth, Angle & Lateral Adjustable by R82			
<input type="checkbox"/> Turtle Neck Bar System, Short	\$230	E1028	904948
<input type="checkbox"/> Turtle Neck Bar System, Long	\$230	E1028	904947
R82 Adjustable Width Headrest, Dynamic - Long (Requires Headrest Universal Mount & Swing-away Mounting Bracket)			
<input type="checkbox"/> Adjustable Width Headrest Large Laterals w/Speakers, Dynamic, Black Cover - Long	\$480	E0955	905282
<input type="checkbox"/> Adjustable Width Headrest, Large Laterals, Dynamic, Black Cover - Long	\$385	E0955	905173
<input type="checkbox"/> Adjustable Width Headrest Two Laterals, Dynamic, Black Cover - Long	\$385	E0955	905288
<input type="checkbox"/> Adjustable Width Headrest Four Laterals, Dynamic, Black Cover - Long	\$385	E0955	905174
R82 Adjustable Width Headrest, Dynamic - Short (Requires Headrest Universal Mount & Swing-away Mounting Bracket)			
<input type="checkbox"/> Adjustable Width Headrest Large Laterals w/Speakers, Dynamic, Black Cover - Short	\$480	E0955	905284
<input type="checkbox"/> Adjustable Width Headrest, Large Laterals, Dynamic, Black Cover - Short	\$385	E0955	905286
<input type="checkbox"/> Adjustable Width Headrest Two Laterals, Dynamic, Black Cover - Short	\$385	E0955	905175
<input type="checkbox"/> Adjustable Width Headrest Four Laterals, Dynamic, Black Cover - Short	\$385	E0955	905290
R82 Adjustable Width Headrest, Non-Dynamic - Long (Requires Headrest Universal Mount & Swing-away Mounting Bracket)			
<input type="checkbox"/> Adjustable Width Headrest Large Laterals w/Speakers, Non-Dynamic, Black Cover - Long	\$405	E0955	905281
<input type="checkbox"/> Adjustable Width Headrest, Large Laterals, Non-Dynamic, Black Cover - Long	\$305	E0955	905170
<input type="checkbox"/> Adjustable Width Headrest Two Laterals, Non-Dynamic, Black Cover - Long	\$305	E0955	905289
<input type="checkbox"/> Adjustable Width Headrest Four Laterals, Non-Dynamic, Black Cover - Long	\$305	E0955	905291
R82 Adjustable Width Headrest, Non-Dynamic - Short (Requires Headrest Universal Mount & Swing-away Mounting Bracket)			
<input type="checkbox"/> Adjustable Width Headrest Large Laterals w/Speakers, Non-Dynamic, Black Cover - Short	\$405	E0955	905285
<input type="checkbox"/> Adjustable Width Headrest, Large Laterals, Non-Dynamic, Black Cover - Short	\$305	E0955	905287
<input type="checkbox"/> Adjustable Width Headrest Two Laterals, Non-Dynamic, Black Cover - Short	\$305	E0955	905172
<input type="checkbox"/> Adjustable Width Headrest Four Laterals, Non-Dynamic, Black Cover - Short	\$305	E0955	905171
<input type="checkbox"/> Headrest Universal Mount (R82 Compatible) (Accommodates most manufacturer's head supports)****	\$55	K0108	904946

****Requires the Height Adjustable Solid Back System.

	Price	HCPCS	TR14
<input type="checkbox"/> Recline System (80 to 170 degrees) (Manufacturer Installation Required)	\$480	E1226	905053
<input type="checkbox"/> Height Adjustable Push Handle (Outside Mount)	N/C		904688

	Price	HCPCS	TR14
<input type="checkbox"/> R82 High-Low:x sz 1, Manual Lift (Height Range: 6½" - 23½") 132lbs. Max	\$1,580		905366
<input type="checkbox"/> R82 High-Low:x sz 2, Manual Lift (Height Range: 6¾" - 23¾") 132lbs. Max	\$1,885		905367
<input type="checkbox"/> Push Brace - Fixed Angle	\$160		905368
<input type="checkbox"/> Push Brace, Angle Adjustable	\$385		905369
<input type="checkbox"/> Stingray Seat Module - Interface Adaptor Kit for Trekker Frame*	N/C		905363

*Required with Trekker Frame.

	Price	HCPCS	TR14
<input type="checkbox"/> 12.5" x 2" Rear Solid Knobby Tire	\$199		904117
<input type="checkbox"/> 7.5" x 2" Front, 12.5" Rear Pneumatic Knobby Tire	\$299		904118

	Price	HCPCS	TR14
<input type="checkbox"/> IV Pole (height adjustable and collapsible)°	\$150	K0105	904566
<input type="checkbox"/> O2 Tank Holder*1	\$175	E2208	904565
<input type="checkbox"/> LTV Ventilator Holder 1	\$450	E1029	904671
<input type="checkbox"/> Ventilator/Suction/Hard Tray	\$450	E1029	904595
<input type="checkbox"/> Extended Ventilator/Suction/Hard Tray (Kit)	\$525	E1029	905326
<input type="checkbox"/> Extended Ventilator/Suction/Hard Tray (Lower Tray Only)	\$450	E1029	905416

°Requires Rear Anti-Tip Tubes.

*Cannot be used during transit.

1Manufacturer Installation Required.

	Price	HCPCS	TR14
Headrest Cover Options (Canopy)			
<input type="checkbox"/> Headrest Cover (Canopy) (12)	\$228	K0108	904572
<input type="checkbox"/> Headrest Cover (Canopy) (14)	\$228	K0108	904599
<input type="checkbox"/> Extended Headrest Cover - No Windows (Canopy) (12)	\$255		904690
<input type="checkbox"/> Extended Headrest Cover - No Windows (Canopy) (14)	\$255		904691
<input type="checkbox"/> Extended Headrest Cover - with Windows (Canopy) (12)	\$295		904573
<input type="checkbox"/> Extended Headrest Cover - with Windows (Canopy) (14)	\$295		904600
<input type="checkbox"/> Upper Extremity Support Tray (Clear Tray) (Hardware Required) (Reversible) (12) (14)**^°°°	\$110	E0950	904556
<input type="checkbox"/> Upper Extremity Support Tray (Clear Tray) (Hardware Required) (14)**^°°°	\$110	E0950	904590
<input type="checkbox"/> Adj Removable Hardware (Required for Clear Tray)	\$227	E1028	905361
<input type="checkbox"/> Padded Tray Cover**°°° (Clear Tray Required) (Reversible) (12) (14)	\$65	K0108	904586
<input type="checkbox"/> Padded Tray Cover**°°° (Clear Tray Required) (14)	\$65	K0108	904610
<input type="checkbox"/> Curb Tipper	\$98		905310
<input type="checkbox"/> Caster Locks (Manufacturer Installation Required)	\$94	K0073	904689
<input type="checkbox"/> Rear Anti-Tip Tubes	\$115	E0971	904649
<input type="checkbox"/> Under Seat Storage Basket (14)	\$120		904605
<input type="checkbox"/> Medical Necessity Storage Basket (14)	\$295		904606
<input type="checkbox"/> Utility Bag	\$38		904531
<input type="checkbox"/> Rain Cover (Headrest Cover Required) (12)	\$175		904790
<input type="checkbox"/> Rain Cover (Headrest Cover Required) (14)	\$175		904791
<input type="checkbox"/> Mosquito Net (Headrest Cover Required) (12)	\$150		904788
<input type="checkbox"/> Mosquito Net (Headrest Cover Required) (14)	\$150		904789

**Cannot be used during transit.

^Not available with arm rests.

***The Trekker Transit option includes four manufacturer installed red wheelchair transportation anchors. The Trekker Transit model has been crash tested and conforms to RESNA WC19 standards. Anthropomorphic Test Device weights are TR12T 75lbs/34kg and TR14T 110lbs/50kg.

The Convoid Trekker Mobility Base was tested with the Trekker Seating Module equipped with a head support and wheelchair anchored pelvic lap belt. Do not use the foot positioners on the Convoid Trekker during transit in a motor vehicle. The performance and safety of accessories and/or other seating options not tested by Convoid is unknown, and no warranty or claim about their performance is or can be made.

Furthermore, when being transported in a vehicle it is Convoid's position that the wheelchair user transfer from the wheelchair into appropriate vehicle seating during transportation. Please note that at this time, the Department of Transportation has not officially approved any tie-down system for a user while in a wheelchair, therefore Convoid cannot recommend a transit system.

For more information on RESNA WC-19 and WC-20 standards please visit <http://www.rercwts.pitt.edu/WC19.html>.

HCPCS codes are provided for your convenience and are NOT to be considered billing or legal advice. Providers are responsible for insuring that appropriate billing codes are used when submitting claims. Proper use of HCPCS codes does not insure coverage or payment. Contact the appropriate payer for coverage information.

Standard Domestic Shipping Rate: \$40 • For expedited shipping rates, please call 1-844-876-6245

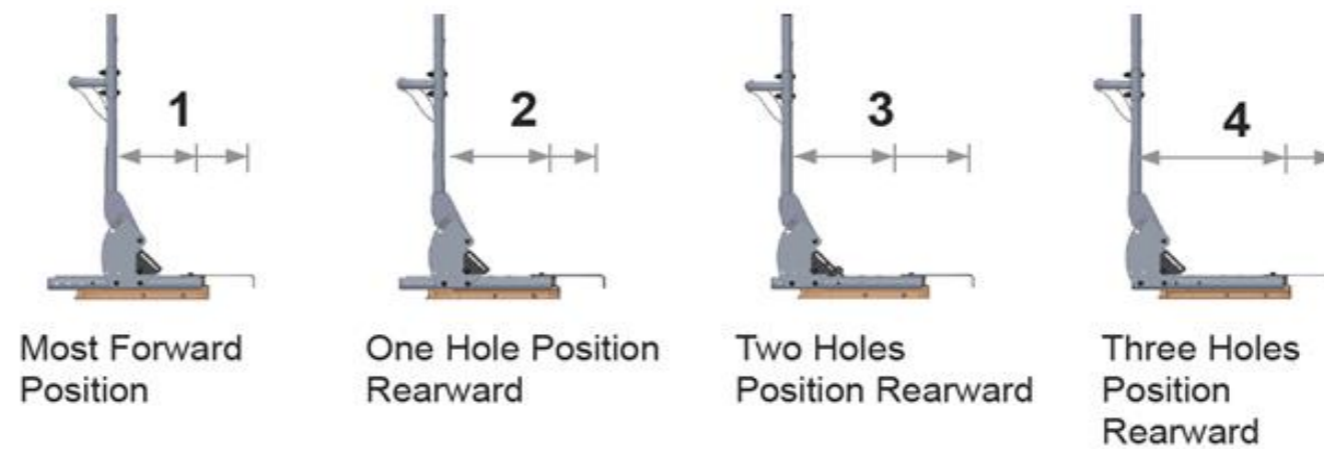
2830 California St., Torrance, CA 90503 • 1-844-876-6245, 310-618-0111 • Fax: 310-618-2166

Prices in USD & subject to change, ex works Torrance, California.

Effective: 4/13/2020

Seat Depth Adjustable Positions:

Seat Depth Growth				
Position:	1	2	3	4
TR12:	5.5" - 8"	7.5" - 10"	9.5" - 12"	N/A
TR14:	8" - 10"	10" - 12"	12" - 14"	13" - 15"

Trekker Top Vests Belt Slot (Shoulder) Height from Seat Pan

	Minimum	Maximum
TR12 Integrated Headrest	9"	13"
TR12 Separate Headrest	13"	17"
TR14 Separate Headrest	17"	26"

Seating Module Specifications:**Convoid Trekker Seating Module Specifications**

Seat Width with Accessories	TR 12 (Size 1)	TR 14 (Size 2)
Trunk Width between Fixed Laterals (With Comfort Wings/Without Comfort Wings)	7.5" - 8" / 7.5" - 12"	9.5" - 10" / 9.5" - 14"
Trunk Width between Swing-Away Laterals (With Comfort Wings/Without Comfort Wings)	6" - 8" / 6" - 10"	7" - 9.5" / 7" - 14"
Hip Width between Hip Guides Without Armrests	5.5" - 11.5"	6.5" - 14"
Hip Width between Hip Guides With Armrests	5.5" - 11.5"	6.5" - 14"

Convoid Trekker Seat to Footplate Dimensions

Seat to Footplate Dimensions	TR 12 (Size 1)	TR 14 (Size 2)
Fixed 90° with one piece footplate	5.5" - 11.5"	5.5" - 11.5"
Fixed 90° with one piece footplate (flipped)	3.25" - 9.25"	3.25" - 9.25"
ELR with one piece footplate	4.75" - 10.75"	6.25" - 12.25"
ELR with one piece footplate (flipped)	2" - 8"	4.25" - 10.25"
ELR with individual footplates	5" - 11"	7" - 13"
ELR with individual footplates (flipped)	2" - 5"	4" - 7"