

Convoid Flyer - HCPCS E1233/E1161

Retail Price List / Order Form

Account #: _____

Purchase Order #: _____ Date: _____

Contact: _____

Mark For: _____

Bill To:	Ship To:
Address:	Address:
City/State/Zip:	
Phone:	City/State/Zip:
Email:	Phone:

Flyer Base Standard Features:

- CG Tilt-in-Space (-5° to +40°)
- 30° back angle adjustment (80° to 110°)
- Quick Release Rear Wheels
- Single Foot Activated Wheel Lock
- HCPCS code E1161 is only valid on chairs 15" or greater
- Removable Front Riggings with Fixed Angled Footplate (Choose Option Below)
- Flip-up armrests - Long (Standard on FL15 and FL16)
- Choice of 3 Mobility Base colors
- One Piece Push Handle
- Choice of three back cane heights
- Made in the USA

Standard Models:

	Price
<input type="checkbox"/> Flyer Transit FL12T - 905312	\$2,999
<input type="checkbox"/> Flyer Transit FL13T - 905313	\$2,999
<input type="checkbox"/> Flyer Transit FL14T - 905314	\$2,999
<input type="checkbox"/> Flyer Transit FL15T - 905315	\$2,999
<input type="checkbox"/> Flyer Transit FL16T - 905316	\$2,999

Frame Colors

- Cherry Red
- Royal Blue
- Cosmic Silver
- Plum Purple

Price

N/C
N/C
N/C
N/C

HCPCS

FL12	FL13	FL14	FL15	FL16
905133	905133	905133	905133	905133
905134	905134	905134	905134	905134
905135	905135	905135	905135	905135
905461	905461	905461	905461	905461

Tire Selection

- 11.5" Rear Tire, 6" x 2" Front Caster (15" Front Seat to Floor Height)

Select One:

- 11.5" Rear Fixed Wheels
- 11.5" Quick Release Rear Wheels

- 16" Rear Tire, 7.5" x 2" Front Caster (17" Front Seat to Floor Height)

Select One:

- 16" Rear Fixed Wheels
- 16" Quick Release Rear Wheels

Price

N/C
N/C
N/C
N/C

HCPCS

FL12	FL13	FL14	FL15	FL16
905303	905304	905305	905306	905307
905384	905384	905384	905384	905384
905387	905387	905387	905387	905387
905059	905060	905061	905062	905063
905385	905385	905385	905385	905385
905388	905388	905388	905388	905388

Push Handle Option

- One-Piece Height Adjustable Push Handle Option (+- 9" height adjustable from back canes height) (Select One):

- Outside Mount
- Inside Mount

Price

N/C
N/C

905108	905109	905110	905111	905112
905098	905099	905100	905101	905102

Seat Depth Range Options (see chart on last page of order form)

- Position 1: 11"-15"
- Position 2: 13"-17"
- Position 3: 15"-19"
- Position 4: 17"- 21"

*Seat Depth is reduced by 1 1/2" when used with Solid Back System with Cushions and requires tools.

Price

N/C
N/C
N/C
N/C

HCPCS

FL12	FL13	FL14	FL15	FL16
905197	905197	905197	905197	905197
905198	905198	905198	905198	905198
905199	905199	905199	905199	905199
905200	905200	905200	905200	905200

Back Options

- Back Cane Fixed Heights* (7/8" diameter)- with Push Handles (Select One):

- Short: 19" - (Supports back height range: 13" - 19")*** (Cannot be used with IV Pole)
- Medium: 22" - (Supports back height range 13" - 22")***
- Tall: 25" - (Supports back height range 13" - 25")***

- Height Adjustable Back Pans (4 Pieces)

- Back Cushions & Cover (Includes Height Adjustable Back Pans) (13" - 25")****

- Cushion Accent Color (cushion is black, color is for piping along sides) Select One:

- Royal Blue
- Forest Green
- Cherry Red
- Sassy Purple
- Princess Pink
- Panther Black
- Chocolate Brown
- Aqua Blue
- Apple Green

***Measured from pan to push handle bend.

****Height Adjustable Solid Back System w/Back Cushion HCPCS code only applies to pediatric sizes 12, 13, and 14.

Price

N/C
N/C
N/C
\$150
\$525
N/C
N/C
N/C
N/C
N/C
N/C
N/C
N/C
N/C
N/C
N/C

HCPCS

FL12	FL13	FL14	FL15	FL16
905054	905054	905054	905054	905054
905055	905055	905055	905055	905055
905056	905056	905056	905056	905056
905058	905058	905058	905058	905058
905093	905094	905095	905096	905097
903850	903850	903850	903850	903850
903857	903857	903857	903857	903857
903855	903855	903855	903855	903855
903851	903851	903851	903851	903851
903759	903759	903759	903759	903759
903854	903854	903854	903854	903854
904189	904189	904189	904189	904189
904753	904753	904753	904753	904753
904754	904754	904754	904754	904754

Seat Options

Select One:

- Planar Seat Cushion (Includes Solid Seat Pan)** (Same Color as Selected Back Cushion)

- Seat Pan: 12"-16" Width, 4" Depth Growth ^^

**Planar Seat Cushion HCPCS code only applies to pediatric sizes 12, 13, and 14.

^^Needed when using other manufacturer's seat cushion.

Price

\$325
\$150

HCPCS

FL12	FL13	FL14	FL15	FL16
905083	905084	905085	905086	905087
905057	905057	905057	905057	905057

Transit

- Transit Option (Manufacturer Installation Required)±

±See bottom of order form regarding the specific configuration in which the chair was tested for WC-19.

^Pelvic positioning belt required.

Price

\$0

HCPCS

FL12	FL13	FL14	FL15	FL16
905082B	905082B	905082B	905082B	905082B

Transit Options

- Q'Straint Transit Lap Belt
- Sure-Lok Transit Lap Belt

Price

\$90
\$90

HCPCS

FL12	FL13	FL14	FL15	FL16
903094	903094	903094	903094	903094
903232	903232	903232	903232	903232

		Price	HCPCS	FL12	FL13	FL14	FL15	FL16
Pelvic Positioning								
<input type="checkbox"/> 2-Point Pelvic Positioning Belt		\$45	E0978	903931	903931	903931	904559	904559
4-Point Pelvic Positioning Belt by R82 (Camlock Kit and Seat Pan Required)								
<input type="checkbox"/> W: 9-10.25" X D: 21.5" (Size 0)		\$135	K0108	905148	905148	905148	905148	905148
<input type="checkbox"/> W: 10.25-11.25" X D:21.5" (Size 1)		\$135	K0108	905149	905149	905149	905149	905149
<input type="checkbox"/> W: 12-13.5" X D: 21.5" X H: 19.5" (Size 2)		\$135	K0108	905150	905150	905150	905150	905150
<input type="checkbox"/> W: 14-15.5" X D: 21.5" X H: 19.5" (Size 3)		\$135	K0108	905151	905151	905151	905151	905151
<input type="checkbox"/> Camlock Kit for 4-Point Belt		N/C		905393	905393	905393	905393	905393
Left Width, Height Adj. Lateral Pelvic Support (Hip Guide)								
<input type="checkbox"/> Small - H: 4.5" - 5.5"		\$120	E0956	905320	905320	905320	905320	905320
<input type="checkbox"/> Large - H: 5.25" - 6.25"		\$120	E0956	905322	905322	905322	905322	905322
Right Width, Height Adj. Lateral Pelvic Support (Hip Guide)								
<input type="checkbox"/> Small - H: 4.5" - 5.5"		\$120	E0956	905321	905321	905321	905321	905321
<input type="checkbox"/> Large - H: 5.25" - 6.25"		\$120	E0956	905323	905323	905323	905323	905323
Medial Thigh Support								
<input type="checkbox"/> Medium (2.6" front width, 4.1" depth, 2" back width, 2.7" height)		\$162	E0957	905389	905389	905389	905389	905389
<input type="checkbox"/> Large (3.3" front width, 5" depth, 2.3" back width, 2.9" height)		\$162	E0957	905390	905390	905390	905390	905390
<input type="checkbox"/> X-Large (4" front width, 6" depth, 3" back width, 3" height)		\$162	E0957	905391	905391	905391	905391	905391

*Height is reduced by 2" when used with Cushion.

		Price	HCPCS	FL12	FL13	FL14	FL15	FL16
Foot & Leg Positioning								
Front Riggings (Footplates attach to the Front Riggings)								
<input type="checkbox"/> 65° Removable Front Riggings - Short (5" - 11" Seat Pan to Footrest Height)		N/C	E0990	905466	905466	905466	905466	905466
<input type="checkbox"/> 65° Removable Front Riggings - Long (5" - 13" Seat Pan to Footrest Height)		N/C	E0990	905465	905465	905465	905465	905465
<input type="checkbox"/> 90° Removable Front Riggings - (5.7" - 11" Seat Pan to Footrest Height)		N/C	E0990	905467	905467	905467	905467	905467
<input type="checkbox"/> Angle Adjustable Elevating Leg Rest (ELR) - Pair ***		\$250	K0195	905077	905077	905078	905078	905136
<input type="checkbox"/> Legrest Extension +2" - Pair (ELR Required)		\$55		904095	904095	904096	904096	904097
Footplates								
<input type="checkbox"/> One-Piece Angle Adjustable Footplates (Flip Up and Reversible) (ELR Required)		\$110	K0040	905160	905161	905162	905163	905164
<input type="checkbox"/> One-Piece Fixed Angle Footplates (Flip-up and Reversible Footplate) (ELR Required)		N/C		905072	905073	905074	905075	905076
<input type="checkbox"/> Individual Angle Adjustable Footplates - Pair (Compatible with std fixed front riggings or ELR)		\$179	K0040	905165	905165	905166	905166	905166
Foot Positioners (Pair)								
<input type="checkbox"/> Small 7" - 10"		\$156	K0108	903415	903415	903415	903415	903415
<input type="checkbox"/> Medium 8" - 11"		\$156	K0108	903416	903416	903416	903416	903416
<input type="checkbox"/> Large 9" - 12"		\$156	K0108	903417	903417	903417	903417	903417
Therafin Shoe Holders w/Padded Straps (Pair)								
<input type="checkbox"/> Small		\$188	K0108	904679	904679	904679	904679	904679
<input type="checkbox"/> Medium		\$188	K0108	904680	904680	904680	904680	904680
<input type="checkbox"/> Fully Padded Footbox (one-piece footplate required)		\$325	K0108	904954	904954	904955	904955	904956
<input type="checkbox"/> Calf Panel		\$61		904580	904580	904580	904580	904580
<input type="checkbox"/> Padded Elevating Legrest Cover (Pair)		\$15	K0108	904619	904619	904619	904619	904619

*2" Legrest Extension interferes with caster swivel when seat is in upright position. Seat must be tilted back at least 5° OR Legrests must be elevated to allow caster swivel.

**Seat to footplate range varies from 5.25" - 18" depending on chair size.

***Recommended for full recline.

		Price	HCPCS	FL12	FL13	FL14	FL15	FL16
Trunk Positioning								
Neoprene Vest by R82 (Camlock Kit and Back Pan Required)								
<input type="checkbox"/> W: 7" x D: 5.5" x H: 4" (Size 1)		\$200	E0960	905152	905152	905152	905152	905152
<input type="checkbox"/> W: 6.5" x D: 9" x H: 6.75" (Size 2)		\$200	E0960	905153	905153	905153	905153	905153
<input type="checkbox"/> W: 11.25" x D: 7.75" x H: 7" (Size 3)		\$200	E0960	905154	905154	905154	905154	905154
<input type="checkbox"/> Camlock Kit for Vest		N/C		905392	905392	905392	905392	905392
Chest Belt, Upholstered by R82 (Camlock Kit and Back Pan Required)								
<input type="checkbox"/> W: 11.25" x D:7.5" x H: 9.25-12" (Size 1)		\$270	E0960	905155	905155	905155	905155	905155
<input type="checkbox"/> W: 14" X D: 10.25" X H: 10.25-12.75" (Size 2)		\$270	E0960	905156	905156	905156	905156	905156
<input type="checkbox"/> W: 16.25" X D: 12.5" X H: 10.25-12.75" (Size 3)		\$270	E0960	905157	905157	905157	905157	905157
<input type="checkbox"/> W: 20.25" X D: 16" X H: 11.25-14.5" (Size 4)		\$270	E0960	905158	905158	905158	905158	905158
<input type="checkbox"/> Camlock Kit for Vest		N/C		905392	905392	905392	905392	905392
Cross Vest by R82 (Camlock Kit and Back Pan Required)								
<input type="checkbox"/> W: 4.5" X D: .5" X H: 11" (Size 0)		\$190	E0960	905176	905176	905176	905176	905176
<input type="checkbox"/> W: 5" X D: .5" X H: 12" (Size 1)		\$190	E0960	905177	905177	905177	905177	905177
<input type="checkbox"/> W: 5.2" X D: .5" X H: 12.75" (Size 2)		\$190	E0960	905178	905178	905178	905178	905178
<input type="checkbox"/> W: 6.25" X D: 4.75" X H: 15.25" (Size 3)		\$190	E0960	905179	905179	905179	905179	905179
<input type="checkbox"/> W: 7.5" X D: 6.75" X H: 18.25" (Size 4)		\$190	E0960	905180	905180	905180	905180	905180
<input type="checkbox"/> Camlock Kit for Vest		N/C		905392	905392	905392	905392	905392
Swing-Away Lateral Support Bracket by R82 (Hrdw Req)								
<input type="checkbox"/> Swing-Away Lateral Support Bracket, Right (Ea.)		\$225	E01028	905338	905338	905338	905338	905338
<input type="checkbox"/> Swing-Away Lateral Support Bracket, Left (Ea.)		\$225	E01028	905337	905337	905337	905337	905337
Swing-Away Hardware								
<input type="checkbox"/> Bar, Straight 4¾", Right (Ea.)		\$0		905327	905327	905327	905327	905327
<input type="checkbox"/> Bar, Straight 4¾", Left (Ea.)		\$0		905327	905327	905327	905327	905327
<input type="checkbox"/> Bar, Offset, 1", Right (Ea.)		\$0		905328	905328	905328	905328	905328
<input type="checkbox"/> Bar, Offset, 1", Left (Ea.)		\$0		905328	905328	905328	905328	905328
<input type="checkbox"/> Bar, Offset 1¾", Right (Ea.)		\$0		905329	905329	905329	905329	905329
<input type="checkbox"/> Bar, Offset 1¾", Left (Ea.)		\$0		905329	905329	905329	905329	905329
<input type="checkbox"/> Bar, Offset 2½", Right (Ea.)		\$0		905330	905330	905330	905330	905330
<input type="checkbox"/> Bar, Offset 2½", Left (Ea.)		\$0		905330	905330	905330	905330	905330
Swing-Away Lateral Support Curved Cushion (Ea.)								
<input type="checkbox"/> Curved Cushion 3½" x 7½", Right (Ea.)		\$105	E0956	905331	905331	905331	905331	905331
<input type="checkbox"/> Curved Cushion 3½" x 7½", Left (Ea.)		\$105	E0956	905331	905331	905331	905331	905331
<input type="checkbox"/> Curved Cushion 2½" x 6¾", Right (Ea.)		\$105	E0956	905332	905332	905332	905332	905332
<input type="checkbox"/> Curved Cushion 2½" x 6¾", Left (Ea.)		\$105	E0956	905332	905332	905332	905332	905332
<input type="checkbox"/> Curved Cushion 2½" x 6", Right (Ea.)		\$105	E0956	905333	905333	905333	905333	905333
<input type="checkbox"/> Curved Cushion 2½" x 6", Left (Ea.)		\$105	E0956	905333	905333	905333	905333	905333
Swing-Away Lateral Support Standard Cushion (Ea.)								
<input type="checkbox"/> Standard Cushion 4" x 4", Right (Ea.)		\$105	E0956	905334	905334	905334	905334	905334
<input type="checkbox"/> Standard Cushion 4" x 4", Left (Ea.)		\$105	E0956	905334	905334	905334	905334	905334
<input type="checkbox"/> Standard Cushion 2½" x 6¾", Right (Ea.)		\$105	E0956	905335	905335	905335	905335	905335
<input type="checkbox"/> Standard Cushion 2½" x 6¾", Left (Ea.)		\$105	E0956	905335	905335	905335	905335	905335
<input type="checkbox"/> Protective Cushion for Laterals, Black (Pr.) (Laterals by R82 only)		\$92		905336	905336	905336	905336	905336
<input type="checkbox"/> 1" Thick Padded Lateral Support Cover (X Small only) (Contoured Laterals only)		\$50	E0960	905411	905411	905411	905411	905411

*Pad Size.

^Depth of Laterals is reduced by 1.5" with back upholstery.

**Requires height adjustable solid back system.

<u>Head Supports</u>		Price	HCPCS	FL12	FL13	FL14	FL15	FL16
<input type="checkbox"/>	Adjustable Wing Head Support****	\$265	E0955	904608	904608	904608	904608	904608
Anatomic Headrest with Cover by R82 (Requires Headrest Universal Mount & Swing-away Mounting Bracket)								
<input type="checkbox"/>	Small	\$255	E0955	904950	904950	904950	904950	904950
<input type="checkbox"/>	Medium	\$255	E0955	904951	904951	904951	904951	904951
R82 Adjustable Width Headrest, Dynamic - Long (Requires Headrest Universal Mount & Swing-away Mounting Bracket)								
<input type="checkbox"/>	Adjustable Width Headrest Large Laterals w/Speakers, Dynamic, Black Cover - Long	\$480	E0955	905282	905282	905282	905282	905282
<input type="checkbox"/>	Adjustable Width Headrest, Large Laterals, Dynamic, Black Cover - Long	\$385	E0955	905173	905173	905173	905173	905173
<input type="checkbox"/>	Adjustable Width Headrest Two Laterals, Dynamic, Black Cover - Long	\$385	E0955	905288	905288	905288	905288	905288
<input type="checkbox"/>	Adjustable Width Headrest Four Laterals, Dynamic, Black Cover - Long	\$385	E0955	905174	905174	905174	905174	905174
R82 Adjustable Width Headrest, Dynamic - Short (Requires Headrest Universal Mount & Swing-away Mounting Bracket)								
<input type="checkbox"/>	Adjustable Width Headrest Large Laterals w/Speakers, Dynamic, Black Cover - Short	\$480	E0955	905284	905284	905284	905284	905284
<input type="checkbox"/>	Adjustable Width Headrest, Large Laterals, Dynamic, Black Cover - Short	\$385	E0955	905286	905286	905286	905286	905286
<input type="checkbox"/>	Adjustable Width Headrest Two Laterals, Dynamic, Black Cover - Short	\$385	E0955	905175	905175	905175	905175	905175
<input type="checkbox"/>	Adjustable Width Headrest Four Laterals, Dynamic, Black Cover - Short	\$385	E0955	905290	905290	905290	905290	905290
R82 Adjustable Width Headrest, Non-Dynamic - Long (Requires Headrest Universal Mount & Swing-away Mounting Bracket)								
<input type="checkbox"/>	Adjustable Width Headrest Large Laterals w/Speakers, Non-Dynamic, Black Cover - Long	\$405	E0955	905281	905281	905281	905281	905281
<input type="checkbox"/>	Adjustable Width Headrest, Large Laterals, Non-Dynamic, Black Cover - Long	\$305	E0955	905170	905170	905170	905170	905170
<input type="checkbox"/>	Adjustable Width Headrest Two Laterals, Non-Dynamic, Black Cover - Long	\$305	E0955	905289	905289	905289	905289	905289
<input type="checkbox"/>	Adjustable Width Headrest Four Laterals, Non-Dynamic, Black Cover - Long	\$305	E0955	905291	905291	905291	905291	905291
R82 Adjustable Width Headrest, Non-Dynamic - Short (Requires Headrest Universal Mount & Swing-away Mounting Bracket)								
<input type="checkbox"/>	Adjustable Width Headrest Large Laterals w/Speakers, Non-Dynamic, Black Cover - Short	\$405	E0955	905285	905285	905285	905285	905285
<input type="checkbox"/>	Adjustable Width Headrest, Large Laterals, Non-Dynamic, Black Cover - Short	\$305	E0955	905287	905287	905287	905287	905287
<input type="checkbox"/>	Adjustable Width Headrest Two Laterals, Non-Dynamic, Black Cover - Short	\$305	E0955	905172	905172	905172	905172	905172
<input type="checkbox"/>	Adjustable Width Headrest Four Laterals, Non-Dynamic, Black Cover - Short	\$305	E0955	905171	905171	905171	905171	905171
Swing-Away Mounting Bracket - Height, Depth, Angle & Lateral Adjustable by R82 (Required for R82 head supports) (Select One):								
<input type="checkbox"/>	Turtle Neck Bar System, Short	\$230	E1028	904948	904948	904948	904948	904948
<input type="checkbox"/>	Turtle Neck Bar System, Long	\$230	E1028	904947	904947	904947	904947	904947
<input type="checkbox"/>	Headrest Universal Mount (Accommodates most manufacturer's head supports)****	\$55	K0108	904946	904946	904946	904946	904946

****Requires the Height Adjustable Solid Back System.

<u>Frame Options</u>		Price	HCPCS	FL12	FL13	FL14	FL15	FL16
Recline System (80 to 170 degrees) (Manufacturer installation required)								
<input type="checkbox"/>	Recline on Flyer 12, 13, 14	\$480	E1014	905037	905037	905037		
<input type="checkbox"/>	Recline on Flyer 15 and 16±	\$480	E1226				905038	905038
Flip-up, Height Adjustable, Armrest - Pair (Select option for sizes 12, 13, or 14)*								
<input type="checkbox"/>	Height adjustable Flip-Up Armrests (pair) - Short 8.34" Length	\$228	E0973	905167	905167	905167		
<input type="checkbox"/>	Height adjustable Flip-Up Armrests (pair) - Short 8.34" Length	\$0	E1225				905324	905324
<input type="checkbox"/>	Height adjustable Flip-Up Armrests (pair) - Long 11.34" Length	\$228	E0973	905168	905168	905168		
<input type="checkbox"/>	Height adjustable Flip-Up Armrests (pair) - Long 11.34" Length	\$0	E1225				905325	905325
Removable Adjustable, Armrest - Pair								
<input type="checkbox"/>	Height Adjustable Removable Armrests (pair) - Short 9.00" Length	\$290	E0973	905396	905396	905396	905396	905396
<input type="checkbox"/>	Height Adjustable Removable Armrests (pair) - Long 11.00" Length	\$290	E0973	905397	905397	905397	905397	905397

± For FL15 and FL16, use HCPCS code E1225.

*Flip-up armrest is standard on sizes 15 and 16.

<u>Medical Support Accessories</u>		Price	HCPCS	FL12	FL13	FL14	FL15	FL16
<input type="checkbox"/>	IV Pole (height adjustable and collapsible)^^	\$150	K0105	904566	904566	904566	904566	904566
<input type="checkbox"/>	O2 Tank Holder*	\$175	E2208	905070	905070	905070	905070	905070
<input type="checkbox"/>	LTV Ventilator Holder	\$450	E1029	905071	905071	905071	905071	905071
<input type="checkbox"/>	Ventilator/Suction/Hard Tray (H:2.6", L: 13.1", W: Seat Width+1.4")	\$450	E1029	905079	905079	905079	905079	905079

*Requires Rear Anti-Tip Tubes.

*Cannot be used during transit.

^^Required with medium or tall back canes.

<u>Accessories</u>		Price	HCPCS	FL12	FL13	FL14	FL15	FL16
Headrest Cover Options (Canopy)								
<input type="checkbox"/>	Headrest Cover (Canopy)²	\$228	K0108	902679	902679	902659	902659	903152
<input type="checkbox"/>	Extended Headrest Cover - No Windows (Canopy)²	\$250	K0108	904729	904729	904730	904730	904731
<input type="checkbox"/>	Extended Headrest Cover - with Windows (Canopy)²	\$295	K0108	904745	904745	904746	904746	904747
<input type="checkbox"/>	Upper Extremity Support Tray (Flip-Up Armrests)***^	\$111	E0950	903405	903405	903401	903401	904525
<input type="checkbox"/>	Adj. Removable Hardware (Required for Clear Tray) (Flip-Up Armrests)	\$227	E1028	903369	903369	903369	903369	903369
<input type="checkbox"/>	Upper Extremity Support Tray (Removable Armrests) Size 1	\$160	E0950	905398	905398	905398		
<input type="checkbox"/>	Upper Extremity Support Tray (Removable Armrests) Size 2	\$160	E0950		905399	905399	905399	
<input type="checkbox"/>	Upper Extremity Support Tray (Removable Armrests) Size 3	\$160	E0950			905400	905400	905400
<input type="checkbox"/>	Adj. Removable Hardware (Required for Clear Tray) (Removable Armrests)	\$185	E1028	905401	905401	905401	905401	905401
<input type="checkbox"/>	Upper Extremity Support Surface (Foam Tray)	\$151	E0950	903669	903669	903670	903670	903670
<input type="checkbox"/>	Curb Tipper	\$98		905365	905365	905365	905365	905365
<input type="checkbox"/>	Caster Locks (Manufacturer Installation Required) (ELR recommended to avoid caster & front rigging interference)	\$94	K0073	904650	904650	904650	904650	904650
<input type="checkbox"/>	Rear Anti-Tip Tubes	\$115	E0971	905069	905069	905069	905069	905069
<input type="checkbox"/>	Under Seat Storage Basket	\$120		905195	905195	905196	905196	905196
<input type="checkbox"/>	Medical Necessity Storage Basket	\$295		905274	905274	905275	905275	905275

**Cannot be used during transit.

^Armrests required for sizes 12, 13, and 14. Armrest is standard on sizes 15 & 16.

³IV Pole & Canopy Cannot be used simultaneously.

<u>Customs*</u>		Price	HCPCS	FL12	FL13	FL14	FL15	FL16
<input type="checkbox"/>	Two Piece Push Handle	N/C		905311	905311	905311	905311	905311

*30 Day Standard Delivery

***The Flyer Transit option includes four manufacturer installed black wheelchair transportation anchors. The Flyer Transit model has been crash tested and conforms to RESNA WC19 standards.

The Convaid Flyer Mobility Base was tested with the Flyer Seating Module equipped with a head support and wheelchair anchored pelvic lap belt. The performance and safety of accessories and/or other seating options not tested by Convaid is unknown, and no warranty or claim about their performance is or can be made.

Transit and Non Transit weight capacity: Back Cane Position 1: 85 lbs/39 kg and Back Cane Position 2-4: 170 lbs/77 kg.

Furthermore, when being transported in a vehicle it is Convaid's position that the wheelchair user transfer from the wheelchair into appropriate vehicle seating during transportation. Please note that at this time, the Department of Transportation has not officially approved any tie-down system for a user while in a wheelchair, therefore Convaid cannot recommend a transit system.

For more information on RESNA WC-19 and WC-20 standards please visit <http://www.ercwts.pitt.edu/WC19.html>.

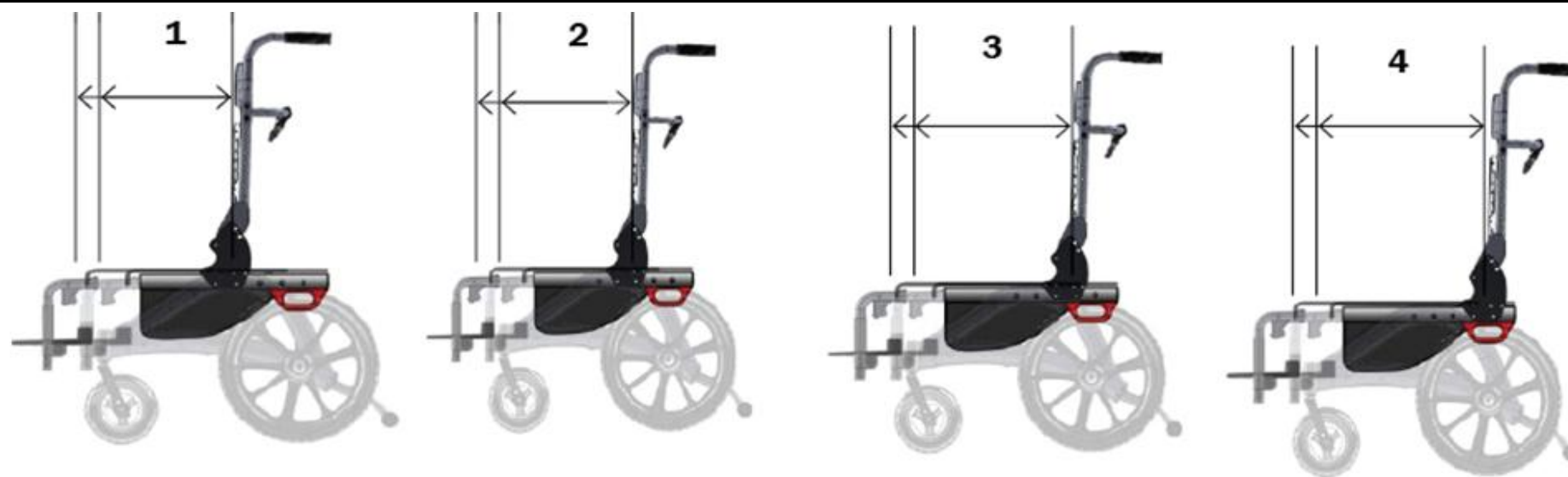
HCPCS codes are provided for your convenience and are NOT to be considered billing or legal advice. Providers are responsible for insuring that appropriate billing codes are used when submitting claims. Proper use of HCPCS codes does not insure coverage or payment. Contact the appropriate payer for coverage information.

Standard Domestic Shipping Rate: \$40 • For expedited shipping rates, please call 1-844-876-6245

Prices in USD & subject to change, ex works Torrance, California.

Effective: 11/6/2020

Seat Depth Adjustable Positions:



Position Option	1	2	3	4
Seating System Seat Depth Adjustment Range				
Back Canes	11" – 15"	13" – 17"	15" – 19"	17" – 21"
Solid Back*	9.5" – 13.5"	11.5" 15.5"	13.5" – 17.5"	15.5" – 19.5"

*Seat Depth is reduced by 1 1/2" when used with solid back seating system

Footplate Dimensions:

Seat to Footplate Dimensions	Mounting	12" Flyer	13" Flyer	14" Flyer	15" Flyer	16" Flyer
One-Piece Angle Adjustable Footplates	Flip-Up	9in-14in	9in-14in	11in-16in	11in-16in	13in-18in
	Reversible	5.25in-11.25in	5.25in-11.25in	7.25in-13.25in	7.25in-13.25in	9.25in-15.25in
One-Piece Fixed Angle Footplates	Flip-Up	9in-14in	9in-14in	11in-16in	11in-16in	13in-18in
	Reversible	5.25in-11.25in	5.25in-11.25in	7.25in-13.25in	7.25in-13.25in	9.25in-15.25in
Individual Angle Adjustable Footplates - Pair	Flip-Up	7in-13in	7in-13in	9.5in-15.5in	9.5in-15.5in	12in-18in
	Reversible	4.5in-9.25in	4.25in-11in	4.25in-11in	4.25-11in	7.25in-13.25in

Height Adjustable Removable Armrest Length:

Recommended Height Adjustable Removable Armrest Length per Seat Depth Position				
	Seat Depth Position 1	Seat Depth Position 2	Seat Depth Position 3	Seat Depth Position 4
Height Adjustable Removable Armrest - Short 9.00" Length	●	●		
Height Adjustable Removable Armrest - Short 9.00" Length			●	●