

Pelvic Positioning		Price	HCPCS	FL12	FL13	FL14	FL15	FL16
<input type="checkbox"/> 2-Point Pelvic Positioning Belt		\$46	E0978	903931	903931	903931	904559	904559
4-Point Pelvic Positioning Belt by R82 (Camlock Kit and Seat Pan Required)								
<input type="checkbox"/> Hip Width: 6.75" - 12.5" (Size XS)		\$138	K0108	905148	905148	905148	905148	905148
<input type="checkbox"/> Hip Width: 8.25" - 13.75" (Size S)		\$138	K0108	905149	905149	905149	905149	905149
<input type="checkbox"/> Hip Width: 9.75" - 16.25" (Size M)		\$138	K0108	905150	905150	905150	905150	905150
<input type="checkbox"/> Hip Width: 12.5" - 17.25" (Size L)		\$138	K0108	905151	905151	905151	905151	905151
<input type="checkbox"/> Hip Width: 16.25" - 20.5" (Size XL)		\$138	K0108	905475	905475	905475	905475	905475
<input type="checkbox"/> Camlock Kit for 4-Point Belt		N/C		905393	905393	905393	905393	905393
Left Width, Height Adj. Lateral Pelvic Support (Hip Guide)								
<input type="checkbox"/> Small - H: 4.5" - 5.5"		\$123	E0956	905320	905320	905320	905320	905320
<input type="checkbox"/> Large - H: 5.25" - 6.25"		\$123	E0956	905322	905322	905322	905322	905322
Right Width, Height Adj. Lateral Pelvic Support (Hip Guide)								
<input type="checkbox"/> Small - H: 4.5" - 5.5"		\$123	E0956	905321	905321	905321	905321	905321
<input type="checkbox"/> Large - H: 5.25" - 6.25"		\$123	E0956	905323	905323	905323	905323	905323
Medial Thigh Support								
<input type="checkbox"/> Medium (2.6" front width, 4.1" depth, 2" back width, 2.7" height)		\$166	E0957	905389	905389	905389	905389	905389
<input type="checkbox"/> Large (3.3" front width, 5" depth, 2.3" back width, 2.9" height)		\$166	E0957	905390	905390	905390	905390	905390
<input type="checkbox"/> X-Large (4" front width, 6" depth, 3" back width, 3" height)		\$166	E0957	905391	905391	905391	905391	905391

*Height is reduced by 2" when used with Cushion.

Foot & Leg Positioning		Price	HCPCS	FL12	FL13	FL14	FL15	FL16
Front Riggings (Footplates attach to the Front Riggings)								
<input type="checkbox"/> 65° Removable Front Riggings - Short (5" - 11" Seat Pan to Footrest Height)		N/C	E0990	905466	905466	905466	905466	905466
<input type="checkbox"/> 65° Removable Front Riggings - Long (5" - 13" Seat Pan to Footrest Height)		N/C	E0990	905465	905465	905465	905465	905465
<input type="checkbox"/> 90° Removable Front Riggings - (5.7" - 11" Seat Pan to Footrest Height)		N/C	E0990	905467	905467	905467	905467	905467
<input type="checkbox"/> Angle Adjustable Elevating Leg Rest (ELR) - Pair ***		\$256	K0195	905077	905077	905078	905078	905136
<input type="checkbox"/> Legrest Extension +2" - Pair (ELR Required)		\$56		904095	904095	904096	904096	904097
Footplates								
<input type="checkbox"/> One-Piece Angle Adjustable Footplates (Flip Up and Reversible) (ELR Required)		\$113	K0040	905160	905161	905162	905163	905164
<input type="checkbox"/> One-Piece Fixed Angle Footplates (Flip-up and Reversible Footplate) (ELR Required)		N/C		905072	905073	905074	905075	905076
<input type="checkbox"/> Individual Angle Adjustable Footplates - Pair (Compatible with std fixed front riggings or ELR)		\$183	K0040	905165	905165	905166	905166	905166
Foot Positioners (Pair)								
<input type="checkbox"/> Small 7" - 10"		\$160	K0108	903415	903415	903415	903415	903415
<input type="checkbox"/> Medium 8" - 11"		\$160	K0108	903416	903416	903416	903416	903416
<input type="checkbox"/> Large 9" - 12"		\$160	K0108	903417	903417	903417	903417	903417
Therafin Shoe Holders w/Padded Straps (Pair)								
<input type="checkbox"/> Small		\$193	K0108	904679	904679	904679	904679	904679
<input type="checkbox"/> Medium		\$193	K0108	904680	904680	904680	904680	904680
<input type="checkbox"/> Fully Padded Footbox (one-piece footplate required)		\$333	K0108	904954	904954	904955	904955	904956
<input type="checkbox"/> Calf Panel		\$63		904580	904580	904580	904580	904580
<input type="checkbox"/> Padded Elevating Legrest Cover (Pair)		\$15	K0108	904619	904619	904619	904619	904619

*2" Legrest Extension interferes with caster swivel when seat is in upright position. Seat must be tilted back at least 5° OR Legrests must be elevated to allow caster swivel.

**Seat to footplate range varies from 5.25" - 18" depending on chair size.

***Recommended for full recline.

Trunk Positioning		Price	HCPCS	FL12	FL13	FL14	FL15	FL16
Neoprene Vest by R82 (Camlock Kit and Back Pan Required)								
<input type="checkbox"/> LT Shoulder to RT Hip: 7.75" - 10.75" (Size XS)		\$205	E0960	905476	905476	905476	905476	905476
<input type="checkbox"/> LT Shoulder to RT Hip: 10.75" - 12.5" (Size S)		\$205	E0960	905152	905152	905152	905152	905152
<input type="checkbox"/> LT Shoulder to RT Hip: 12.5" - 16" (Size M)		\$205	E0960	905153	905153	905153	905153	905153
<input type="checkbox"/> LT Shoulder to RT Hip: 16" - 18.5" (Size L)		\$205	E0960	905154	905154	905154	905154	905154
<input type="checkbox"/> LT Shoulder to RT Hip: 18.5" - 20.5" (Size XL)		\$205	E0960	905480	905480	905480	905480	905480
<input type="checkbox"/> LT Shoulder to RT Hip: 20.5" - 23.5" (Size XXL)		\$205	E0960	905481	905481	905481	905481	905481
<input type="checkbox"/> Camlock Kit for Vest		N/C		905392	905392	905392	905392	905392
Chest Belt, Upholstered by R82 (Camlock Kit and Back Pan Required)								
<input type="checkbox"/> W: 11.25" x D:7.5" x H: 9.25-12" (Size 1)		\$277	E0960	905155	905155	905155	905155	905155
<input type="checkbox"/> W: 14" X D: 10.25" X H: 10.25-12.75" (Size 2)		\$277	E0960	905156	905156	905156	905156	905156
<input type="checkbox"/> W: 16.25" X D: 12.5" X H: 10.25-12.75" (Size 3)		\$277	E0960	905157	905157	905157	905157	905157
<input type="checkbox"/> W: 20.25" X D: 16" X H: 11.25-14.5" (Size 4)		\$277	E0960	905158	905158	905158	905158	905158
<input type="checkbox"/> Camlock Kit for Vest		N/C		905392	905392	905392	905392	905392
Cross Vest by R82 (Camlock Kit and Back Pan Required)								
<input type="checkbox"/> LT Shoulder to RT Hip: 7.75" - 12.5" (Size XS)		\$195	E0960	905176	905176	905176	905176	905176
<input type="checkbox"/> LT Shoulder to RT Hip: 10.25" - 13.5" (Size S)		\$195	E0960	905177	905177	905177	905177	905177
<input type="checkbox"/> LT Shoulder to RT Hip: 13.5" - 17.75" (Size M)		\$195	E0960	905178	905178	905178	905178	905178
<input type="checkbox"/> LT Shoulder to RT Hip: 17.75" - 20.75" (Size L)		\$195	E0960	905179	905179	905179	905179	905179
<input type="checkbox"/> LT Shoulder to RT Hip: 20.75" - 24.5" (Size XL)		\$195	E0960	905180	905180	905180	905180	905180
<input type="checkbox"/> Camlock Kit for Vest		N/C		905392	905392	905392	905392	905392
Swing-Away Lateral Support Bracket by R82 (Hrdw Req)								
<input type="checkbox"/> Swing-Away Lateral Support Bracket, Right (Ea.)		\$231	E01028	905338	905338	905338	905338	905338
<input type="checkbox"/> Swing-Away Lateral Support Bracket, Left (Ea.)		\$231	E01028	905337	905337	905337	905337	905337
Swing-Away Hardware								
<input type="checkbox"/> Bar, Straight 4¾", Right (Ea.)		\$0		905327	905327	905327	905327	905327
<input type="checkbox"/> Bar, Straight 4¾", Left (Ea.)		\$0		905327	905327	905327	905327	905327
<input type="checkbox"/> Bar, Offset, 1", Right (Ea.)		\$0		905328	905328	905328	905328	905328
<input type="checkbox"/> Bar, Offset, 1", Left (Ea.)		\$0		905328	905328	905328	905328	905328
<input type="checkbox"/> Bar, Offset 1¾", Right (Ea.)		\$0		905329	905329	905329	905329	905329
<input type="checkbox"/> Bar, Offset 1¾", Left (Ea.)		\$0		905329	905329	905329	905329	905329
<input type="checkbox"/> Bar, Offset 2½", Right (Ea.)		\$0		905330	905330	905330	905330	905330
<input type="checkbox"/> Bar, Offset 2½", Left (Ea.)		\$0		905330	905330	905330	905330	905330
Swing-Away Lateral Support Curved Cushion (Ea.)								
<input type="checkbox"/> Curved Cushion 3½" x 7½", Right (Ea.)		\$108	E0956	905331	905331	905331	905331	905331
<input type="checkbox"/> Curved Cushion 3½" x 7½", Left (Ea.)		\$108	E0956	905331	905331	905331	905331	905331
<input type="checkbox"/> Curved Cushion 2½" x 6¾", Right (Ea.)		\$108	E0956	905332	905332	905332	905332	905332
<input type="checkbox"/> Curved Cushion 2½" x 6¾", Left (Ea.)		\$108	E0956	905332	905332	905332	905332	905332
<input type="checkbox"/> Curved Cushion 2½" x 6", Right (Ea.)		\$108	E0956	905333	905333	905333	905333	905333
<input type="checkbox"/> Curved Cushion 2½" x 6", Left (Ea.)		\$108	E0956	905333	905333	905333	905333	905333
Swing-Away Lateral Support Standard Cushion (Ea.)								
<input type="checkbox"/> Standard Cushion 4" x 4", Right (Ea.)		\$108	E0956	905334	905334	905334	905334	905334
<input type="checkbox"/> Standard Cushion 4" x 4", Left (Ea.)		\$108	E0956	905334	905334	905334	905334	905334
<input type="checkbox"/> Standard Cushion 2½" x 6¾", Right (Ea.)		\$108	E0956	905335	905335	905335	905335	905335
<input type="checkbox"/> Standard Cushion 2½" x 6¾", Left (Ea.)		\$108	E0956	905335	905335	905335	905335	905335
<input type="checkbox"/> Protective Cushion for Laterals, Black (Pr.) (Laterals by R82 only)		\$94		905336	905336	905336	905336	905336
<input type="checkbox"/> 1" Thick Padded Lateral Support Cover (X Small only) (Contoured Laterals only)		\$51	E0960	905411	905411	905411	905411	905411

*Pad Size.

^Depth of Laterals is reduced by 1.5" with back upholstery.

**Requires height adjustable solid back system.

Matrix Trunk Positioning Options

<input type="checkbox"/> Matrix MiniFlex Abdominal Support - XS (4.5" high x 13.5" to 19" long) ³	Price	HCPCS
<input type="checkbox"/> Matrix MiniFlex Abdominal Support - S (6" high x 13.5" to 19" long) ³	\$185	
<input type="checkbox"/> Matrix PostureFlex - M (6.5" high x 16" to 23" long) ³	\$185	
<input type="checkbox"/> Matrix E2 Fixed Laterals (pr) - 6.5" high x 5" deep compatible with E2S back ³	\$245	
<input type="checkbox"/> Matrix Mini Fixed Laterals (ea) - 4.5" high x 3" deep compatible with Mini back ³	\$290	
<input type="checkbox"/> Matrix Mini Swingaway Lateral with X Small pad (ea) ³	\$85	
<input type="checkbox"/> Matrix Mini Swingaway Lateral with Small pad (ea) ³	\$335	
<input type="checkbox"/> Matrix E2 Swingaway Lateral with Med pad (ea) ³	\$335	
<input type="checkbox"/> Matrix E2 Swingaway Lateral with Large pad (ea) ³	\$335	
<input type="checkbox"/> Matrix Mini Chest harness Int.compatible with Mini back ³	\$75	
<input type="checkbox"/> Matrix E2 Chest Harness Int. Fits 14" and 15" wide E2 backs ³	\$75	
<input type="checkbox"/> Matrix E2 Chest Harness Int. Fits 16" wide E2 backs ³	\$75	
<input type="checkbox"/> E2 Backbone PSIS/Lumbar Support ³	\$55	

³Must be ordered with Matrix Back Support option.

Head Supports

<input type="checkbox"/> Adjustable Wing Head Support****	Price	HCPCS
Anatomic Headrest with Cover by R82 (Requires Headrest Universal Mount & Swing-away Mounting Bracket)	\$272	E0955
<input type="checkbox"/> Small	\$261	
<input type="checkbox"/> Medium	\$261	
R82 Adjustable Width Headrest, Dynamic - Long (Requires Headrest Universal Mount & Swing-away Mounting Bracket)		
<input type="checkbox"/> Adjustable Width Headrest Large Laterals w/Speakers, Dynamic, Black Cover - Long	\$492	E0955
<input type="checkbox"/> Adjustable Width Headrest, Large Laterals, Dynamic, Black Cover - Long	\$395	E0955
<input type="checkbox"/> Adjustable Width Headrest Two Laterals, Dynamic, Black Cover - Long	\$395	E0955
<input type="checkbox"/> Adjustable Width Headrest Four Laterals, Dynamic, Black Cover - Long	\$395	E0955
R82 Adjustable Width Headrest, Dynamic - Short (Requires Headrest Universal Mount & Swing-away Mounting Bracket)		
<input type="checkbox"/> Adjustable Width Headrest Large Laterals w/Speakers, Dynamic, Black Cover - Short	\$492	E0955
<input type="checkbox"/> Adjustable Width Headrest, Large Laterals, Dynamic, Black Cover - Short	\$395	E0955
<input type="checkbox"/> Adjustable Width Headrest Two Laterals, Dynamic, Black Cover - Short	\$395	E0955
<input type="checkbox"/> Adjustable Width Headrest Four Laterals, Dynamic, Black Cover - Short	\$395	E0955
R82 Adjustable Width Headrest, Non-Dynamic - Long (Requires Headrest Universal Mount & Swing-away Mounting Bracket)		
<input type="checkbox"/> Adjustable Width Headrest Large Laterals w/Speakers, Non-Dynamic, Black Cover - Long	\$415	E0955
<input type="checkbox"/> Adjustable Width Headrest, Large Laterals, Non-Dynamic, Black Cover - Long	\$313	E0955
<input type="checkbox"/> Adjustable Width Headrest Two Laterals, Non-Dynamic, Black Cover - Long	\$313	E0955
<input type="checkbox"/> Adjustable Width Headrest Four Laterals, Non-Dynamic, Black Cover - Long	\$313	E0955
R82 Adjustable Width Headrest, Non-Dynamic - Short (Requires Headrest Universal Mount & Swing-away Mounting Bracket)		
<input type="checkbox"/> Adjustable Width Headrest Large Laterals w/Speakers, Non-Dynamic, Black Cover - Short	\$415	E0955
<input type="checkbox"/> Adjustable Width Headrest, Large Laterals, Non-Dynamic, Black Cover - Short	\$313	E0955
<input type="checkbox"/> Adjustable Width Headrest Two Laterals, Non-Dynamic, Black Cover - Short	\$313	E0955
<input type="checkbox"/> Adjustable Width Headrest Four Laterals, Non-Dynamic, Black Cover - Short	\$313	E0955
Swing-Away Mounting Bracket - Height, Depth, Angle & Lateral Adjustable by R82 (Required for R82 head supports) (Select One):		
<input type="checkbox"/> Turtle Neck Bar System, Short	\$236	E1028
<input type="checkbox"/> Turtle Neck Bar System, Long	\$236	E1028
<input type="checkbox"/> Headrest Universal Mount (Accommodates most manufacturer's head supports)****	\$56	K0108

****Requires the Height Adjustable Solid Back System.

Matrix Headrest Options

<input type="checkbox"/> Matrix Standard 6" Pad Startex fabric cover ^v	Price	HCPCS
<input type="checkbox"/> Matrix Standard 10" Pad Startex fabric cover ^v	\$235	E0955
<input type="checkbox"/> Matrix Standard 14" Pad Startex fabric cover ^v	\$235	E0955
<input type="checkbox"/> Matrix 4Point Pad - S Startex fabric cover ^v	\$235	E0955
<input type="checkbox"/> Matrix Elan hrdrwr 15" vertical post ^v	\$325	E0955
<input type="checkbox"/> Matrix Elan hrdrwr 11" vertical post ^v	\$225	E0128
<input type="checkbox"/> Matrix Loxx hardware 15" vertical post ^v	\$225	E0128
<input type="checkbox"/> Matrix Loxx hardware 11" vertical post ^v	\$215	E0128
^v Requires Matrix Back Support.	\$215	E0128

Frame Options

Recline System (80 to 170 degrees) (Manufacturer installation required)	Price	HCPCS
<input type="checkbox"/> Recline on Flyer 12, 13, 14	\$492	E1014
<input type="checkbox"/> Recline on Flyer 15 and 16±	\$492	E1226
Flip-up, Height Adjustable, Armrest - Pair (Select option for sizes 12, 13, or 14)*		
<input type="checkbox"/> Height adjustable Flip-Up Armrests (pair) - Short 8.34" Length	\$234	E0973
<input type="checkbox"/> Height adjustable Flip-Up Armrests (pair) - Short 8.34" Length	\$0	E1225
<input type="checkbox"/> Height adjustable Flip-Up Armrests (pair) - Long 11.34" Length	\$234	E0973
<input type="checkbox"/> Height adjustable Flip-Up Armrests (pair) - Long 11.34" Length	\$0	E1225
Removable Adjustable, Armrest - Pair		
<input type="checkbox"/> Height Adjustable Removable Armrests (pair) - Short 9.00" Length	\$297	E0973
<input type="checkbox"/> Height Adjustable Removable Armrests (pair) - Long 11.00" Length	\$297	E0973

± For FL15 and FL16, use HCPCS code E1225.

*Flip-up armrest is standard on sizes 15 and 16.

Medical Support Accessories

<input type="checkbox"/> IV Pole (height adjustable and collapsible)**^	Price	HCPCS
<input type="checkbox"/> O2 Tank Holder*	\$154	K0105
<input type="checkbox"/> LTV Ventilator Holder	\$179	E2208
<input type="checkbox"/> Ventilator/Suction/Hard Tray (H:2.6", L: 13.1", W: Seat Width+1.4")	\$461	E1029
[*] Requires Rear Anti-Tip Tubes.	\$461	E1029
[*] Cannot be used during transit.		
^{**} Required with medium or tall back canes.		

Accessories

Headrest Cover Options (Canopy)	Price	HCPCS
<input type="checkbox"/> Headrest Cover (Canopy) ⁹	\$234	K0108
<input type="checkbox"/> Extended Headrest Cover - No Windows (Canopy) ⁹	\$256	K0108
<input type="checkbox"/> Extended Headrest Cover - with Windows (Canopy) ⁹	\$302	K0108
<input type="checkbox"/> Upper Extremity Support Tray (Flip-Up Armrests)**^	\$114	E0950
<input type="checkbox"/> Adj. Removable Hardware (Required for Clear Tray) (Flip-Up Armrests)	\$233	E1028
<input type="checkbox"/> Upper Extremity Support Tray (Removable Armrests) Size 1	\$164	E0950
<input type="checkbox"/> Upper Extremity Support Tray (Removable Armrests) Size 2	\$164	E0950
<input type="checkbox"/> Upper Extremity Support Tray (Removable Armrests) Size 3	\$164	E0950
<input type="checkbox"/> Adj. Removable Hardware (Required for Clear Tray) (Removable Armrests)	\$190	E1028
<input type="checkbox"/> Upper Extremity Support Surface (Foam Tray)	\$155	E0950
<input type="checkbox"/> Curb Tipper	\$100	
<input type="checkbox"/> Caster Locks (Manufacturer Installation Required) (ELR recommended to avoid caster & front rigging interference)	\$96	
<input type="checkbox"/> Rear Anti-Tip Tubes	\$118	K0073
<input type="checkbox"/> Under Seat Storage Basket	\$123	E0971
<input type="checkbox"/> Medical Necessity Storage Basket	\$302	

**Cannot be used during transit.

⁹Armrests required for sizes 12, 13, and 14. Armrest is standard on sizes 15 & 16.

⁹IV Pole & Canopy Cannot be used simultaneously.

	FL12	FL13	FL14	FL15	FL16
	MINIFLEX-XS	MINIFLEX-XS	MINIFLEX-XS		
	MINIFLEX-S	MINIFLEX-S	MINIFLEX-S		
			PFLEX-M	PFLEX-M	PFLEX-M
E0956	E2FL	E2FL	E2FL	E2FL	E2FL
E0956	MINILAT	MINILAT	MINILAT	MINILAT	MINILAT
E0128/E0956	SAHMINI-XS	SAHMINI-XS	SAHMINI-XS	SAHMINI-XS	SAHMINI-XS
E0128/E0956	SAHMINI-S	SAHMINI-S	SAHMINI-S	SAHMINI-S	SAHMINI-S
E0128/E0956			SAHEB-M	SAHEB-M	SAHEB-M
E0128/E0956			SAHEB-L	SAHEB-L	SAHEB-L
E0128/E0956	CHIMB	CHIMB	CHIMB		
			E2CHI-S	E2CHI-S	
					E2CHI-M
			E2BKB	E2BKB	E2BKB

	FL12	FL13	FL14	FL15	FL16
E0955	904608	904608	904608	904608	904608
E0955	904950	904950	904950	904950	904950
E0955	904951	904951	904951	904951	904951
E0955	905282	905282	905282	905282	905282
E0955	905173	905173	905173	905173	905173
E0955	905288	905288	905288	905288	905288
E0955	905174	905174	905174	905174	905174
E0955	905284	905284	905284	905284	905284
E0955	905286	905286	905286	905286	905286
E0955	905175	905175	905175	905175	905175
E0955	905290	905290	905290	905290	905290
E0955	905281	905281	905281	905281	905281
E0955	905170	905170	905170	905170	905170
E0955	905289	905289	905289	905289	905289
E0955	905291	905291	905291	905291	905291
E0955	905285	905285	905285	905285	905285
E0955	905287	905287	905287	905287	905287
E0955	905172	905172	905172	905172	905172
E0955	905171	905171	905171	905171	905171
E1028	904948	904948	904948	904948	904948
E1028	904947	904947	904947	904947	904947
K0108	904946	904946	904946	904946	904946

	FL12	FL13	FL14	FL15	FL16
E0955	ESP6	ESP6	ESP6	ESP6	ESP6
E0955	ESP10	ESP10	ESP10	ESP10	ESP10
E0955	ESP14	ESP14	ESP14	ESP14	ESP14
E0955	E4PTSM	E4PTSM	E4PTSM	E4PTSM	E4PTSM
E0128	MEHW	MEHW	MEHW	MEHW	MEHW
E0128	MEMH	MEMH	MEMH	MEMH	MEMH
E0128	LXSHW	LXSHW	LXSHW	LXSHW	LXSHW
E0128	LXMMH	LXMMH	LXMMH	LXMMH	LXMMH

	FL12	FL13	FL14	FL15	FL16
E1014	905037	905037	905037		
E1226				905038	905038
E0973	905167	905167	905167		
E1225				905324	905324
E0973	905168	905168	905168		
E1225				905325	905325
E0973	905396	905396	905396	905396	905396
E0973	905397	905397	905397	905397	905397

	FL12	FL13	FL14	FL15	FL16
K0105	904566	904566	904566	904566	904566
E2208	905070	905070	905070	905070	905070
E1029	905071	905071	905071	905071	905071
E1029	905079	905079	905079	905079	905079

	FL12	FL13	FL14	FL15	FL16
K0108	902679	902679	902659	902659	903152
K0108	904729	904729	904730	904730	904731
K0108	904745	904745	904746	904746	904747
E0950	903405	903405	903401	903401	904525
E1028	903369	903369	903369	903369	903369
E0950	905398	905398	905398		
E0950		905399	905399	905399	
E0950			905400	905400	905400
E1028	905401	905401	905401	905401	905401
E0950	903669	903669	903670	903670	903670
	905365	905365	905365	905365	905365
K0073	904650	904650	904650	904650	904650
E0971	905069	905069	905069	905069	905069
	905195	905195	905196	905196	905196
	905274	905274	905275	905275	905275

	<u>Customs*</u>	<u>Price</u>	<u>HCPCS</u>	<u>FL12</u>	<u>FL13</u>	<u>FL14</u>	<u>FL15</u>	<u>FL16</u>
<input type="checkbox"/> Two Piece Push Handle *30 Day Standard Delivery.		N/C		905311	905311	905311	905311	905311

***The Flyer Transit option includes four manufacturer installed black wheelchair transportation anchors. The Flyer Transit model has been crash tested and conforms to RESNA WC19 standards.

The Convaid Flyer Mobility Base was tested with the Flyer Seating Module equipped with a head support and wheelchair anchored pelvic lap belt. The performance and safety of accessories and/or other seating options not tested by Convaid is unknown, and no warranty or claim about their performance is or can being made.

Transit and Non Transit weight capacity: Back Cane Position 1: 85 lbs/39 kg and Back Cane Position 2-4: 170 lbs/77 kg.

Furthermore, when being transported in a vehicle it is Convaid's position that the wheelchair user transfer from the wheelchair into appropriate vehicle seating during transportation. Please note that at this time, the Department of Transportation has not officially approved any tie-down system for a user while in a wheelchair, therefore Convaid cannot recommend a transit system.

For more information on RESNA WC-19 and WC-20 standards please visit <http://www.recwts.pitt.edu/WC19.html>.

HCPCS codes are provided for your convenience and are NOT to be considered billing or legal advice. Providers are responsible for insuring that appropriate billing codes are used when submitting claims. Proper use of HCPCS codes does not insure coverage or payment. Contact the appropriate payer for coverage information.

Standard Domestic Shipping Rate: \$40 • For expedited shipping rates, please call 1-844-876-6245

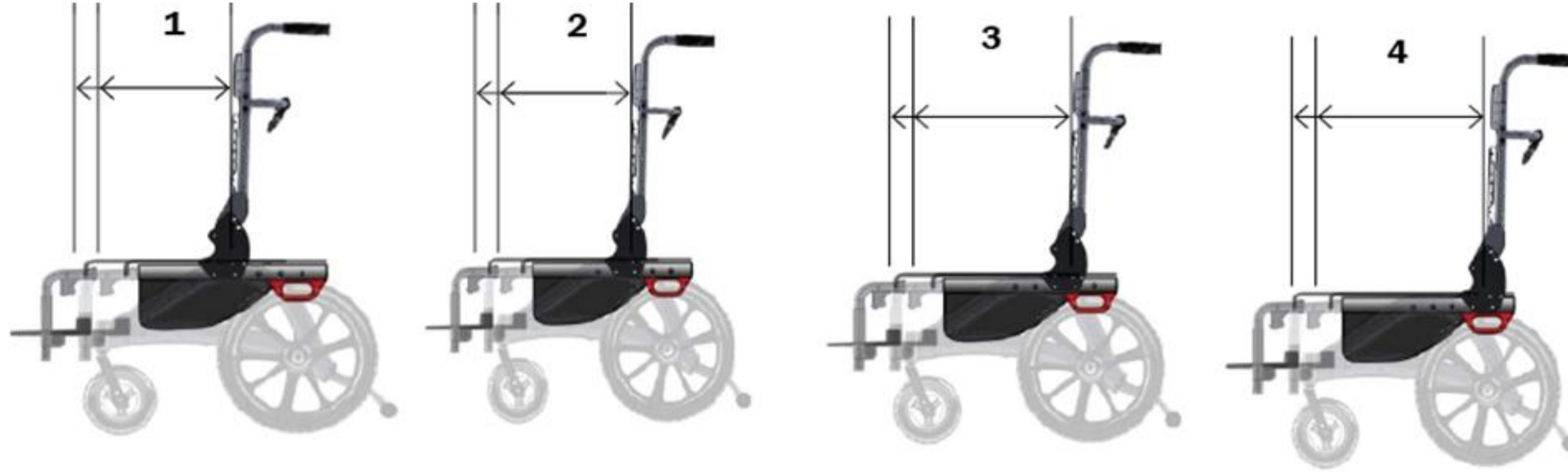
Prices in USD & subject to change, ex works Torrance, California.

Effective: 9/1/2021

Convaid
2830 California Street
Torrance, CA 90503
1 844-US-MOBILITY (844-876-6245)
www.etac.us.com



Seat Depth Adjustable Positions:



Position Option	1	2	3	4
Seating System Seat Depth Adjustment Range				
Back Canes	11" – 15"	13" – 17"	15" – 19"	17" – 21"
Solid Back*	9.5" – 13.5"	11.5" 15.5"	13.5" – 17.5"	15.5" – 19.5"
*Seat Depth is reduced by 1 1/2" when used with solid back seating system				

Footplate Dimensions:

Seat to Footplate Dimensions	Mounting	12" Flyer	13" Flyer	14" Flyer	15" Flyer	16" Flyer
One-Piece Angle Adjustable Footplates	Flip-Up	9in-14in	9in-14in	11in-16in	11in-16in	13in-18in
	Reversible	5.25in-11.25in	5.25in-11.25in	7.25in-13.25in	7.25in-13.25in	9.25in-15.25in
One-Piece Fixed Angle Footplates	Flip-Up	9in-14in	9in-14in	11in-16in	11in-16in	13in-18in
	Reversible	5.25in-11.25in	5.25in-11.25in	7.25in-13.25in	7.25in-13.25in	9.25in-15.25in
Individual Angle Adjustable Footplates - Pair	Flip-Up	7in-13in	7in-13in	9.5in-15.5in	9.5in-15.5in	12in-18in
	Reversible	4.5in-9.25in	4.25in-11in	4.25in-11in	4.25-11in	7.25in-13.25in

Height Adjustable Removable Armrest Length:

Recommended Height Adjustable Removable Armrest Length per Seat Depth Position				
	Seat Depth Position 1	Seat Depth Position 2	Seat Depth Position 3	Seat Depth Position 4
Height Adjustable Removable Armrest - Short 9.00" Length	●	●		
Height Adjustable Removable Armrest - Short 9.00" Length			●	●