

Convoid Flyer - HCPCS E1233/E1161

Retail Price List / Order Form

Account #: _____

Purchase Order #: _____ Date: _____

Contact: _____

Mark For: _____

Bill To:	Ship To:
Address:	Address:
City/State/Zip:	
Phone:	City/State/Zip:
Email:	Phone:

Flyer Base Standard Features:

- CG Tilt-in-Space (-5° to +40°)
- 30° back angle adjustment (80° to 110°)
- Quick Release Rear Wheels
- Single Foot Activated Wheel Lock
- HCPCS code E1161 is only valid on chairs 15" or greater
- Removable Front Riggings with Fixed Angled Footplate (Choose Option Below)
- Flip-up armrests - Long (Standard on FL15 and FL16)
- Choice of 3 Mobility Base colors
- One Piece Push Handle
- Choice of three back cane heights
- Made in the USA

Standard Models:

	Price
<input type="checkbox"/> Flyer Transit FL12T - 905312	\$3,074
<input type="checkbox"/> Flyer Transit FL13T - 905313	\$3,074
<input type="checkbox"/> Flyer Transit FL14T - 905314	\$3,074
<input type="checkbox"/> Flyer Transit FL15T - 905315	\$3,074
<input type="checkbox"/> Flyer Transit FL16T - 905316	\$3,074

Frame Colors

- Cherry Red
- Royal Blue
- Cosmic Silver
- Plum Purple

Price

- N/C
- N/C
- N/C
- N/C

HCPCS

	FL12	FL13	FL14	FL15	FL16
905133	905133	905133	905133	905133	905133
905134	905134	905134	905134	905134	905134
905135	905135	905135	905135	905135	905135
905461	905461	905461	905461	905461	905461

Tire Selection

- 11.5" Rear Tire, 6" x 2" Front Caster (15" Front Seat to Floor Height)
Select One:
 - 11.5" Rear Fixed Wheels
 - 11.5" Quick Release Rear Wheels
- 16" Rear Tire, 7.5" x 2" Front Caster (17" Front Seat to Floor Height)
Select One:
 - 16" Rear Fixed Wheels
 - 16" Quick Release Rear Wheels

Price

- N/C
- N/C
- N/C
- N/C
- N/C
- N/C

HCPCS

	FL12	FL13	FL14	FL15	FL16
905303	905304	905305	905306	905307	
905384	905384	905384	905384	905384	905384
905387	905387	905387	905387	905387	905387
905059	905060	905061	905062	905063	
905385	905385	905385	905385	905385	905385
905388	905388	905388	905388	905388	905388

Push Handle Option

- One-Piece Height Adjustable Push Handle Option (+- 9" height adjustable from back canes height) (Select One):**
 - Outside Mount
 - Inside Mount

Price

- N/C
- N/C

	FL12	FL13	FL14	FL15	FL16
905108	905109	905110	905111	905112	
905098	905099	905100	905101	905102	

Seat Depth Range Options (see chart on last page of order form)

- Position 1: 11"-15"
 - Position 2: 13"-17"
 - Position 3: 15"-19"
 - Position 4: 17"- 21"
- *Seat Depth is reduced by 1 1/2" when used with Solid Back System with Cushions and requires tools.

Price

- N/C
- N/C
- N/C
- N/C

HCPCS

	FL12	FL13	FL14	FL15	FL16
905197	905197	905197	905197	905197	905197
905198	905198	905198	905198	905198	905198
905199	905199	905199	905199	905199	905199
905200	905200	905200	905200	905200	905200

Back Options

- Back Cane Fixed Heights* (7/8" diameter)- with Push Handles (Select One):**
 - Short: 19" - (Supports back height range: 13" - 19")*** (Cannot be used with IV Pole)
 - Medium: 22" - (Supports back height range 13" - 22")***
 - Tall: 25" - (Supports back height range 13" - 25")***
- Height Adjustable Back Pans (4 Pieces)
- Back Cushions & Cover (Includes Height Adjustable Back Pans) (13" - 25")****

Price

- N/C
- N/C
- N/C
- \$154
- \$538

HCPCS

	FL12	FL13	FL14	FL15	FL16
905054	905054	905054	905054	905054	905054
905055	905055	905055	905055	905055	905055
905056	905056	905056	905056	905056	905056
905058	905058	905058	905058	905058	905058
905093	905094	905095	905096	905097	
903850	903850	903850	903850	903850	903850
903857	903857	903857	903857	903857	903857
903855	903855	903855	903855	903855	903855
903851	903851	903851	903851	903851	903851
903759	903759	903759	903759	903759	903759
903854	903854	903854	903854	903854	903854
904189	904189	904189	904189	904189	904189
904753	904753	904753	904753	904753	904753
904754	904754	904754	904754	904754	904754

Cushion Accent Color (cushion is black, color is for piping along sides) Select One:

- Royal Blue
- Forest Green
- Cherry Red
- Sassy Purple
- Princess Pink
- Panther Black
- Chocolate Brown
- Aqua Blue
- Apple Green

***Measured from pan to push handle bend.
 ****Height Adjustable Solid Back System w/Back Cushion HCPCS code only applies to pediatric sizes 12, 13, and 14.

Matrix Back Support Options

- Matr E2 (FLwidth x 10"h) Color Black Meshtex¹
 - Matr E2 (FLwidth x 12h) Color Black Meshtex¹
 - Matr E2 (FLwidth x 14"h) Color Black Meshtex¹
 - Matr E2 (FLwidth x 16"h) Color Black Meshtex¹
 - Matr E2 (FLwidth x 18"h) Color Black Meshtex¹
 - Matr E2 (FLwidth x 20"h) Color Black Meshtex¹
- ¹Must be ordered with Back Canes Only option.

Price

- \$625
- \$625
- \$625
- \$625
- \$645
- \$645

HCPCS

	FL12	FL13	FL14	FL15	FL16
E2615			E2S1410	E2S1510	E2S1610
E2615			E2S1412	E2S1512	E2S1612
E2615			E2S1414	E2S1514	E2S1614
E2615			E2S1416	E2S1516	E2S1616
E2615			E2S1418	E2S1518	E2S1618
E2615			E2S1420	E2S1520	E2S1620

Matrix Back Support Options - Deep

- Matr E2 Deep (FLwidth x 10"h) Color Black Meshtex¹
 - Matr E2 Deep (FLwidth x 12"h) Color Black Meshtex¹
 - Matr E2 Deep (FLwidth x 14"h) Color Black Meshtex¹
 - Matr E2 Deep (FLwidth x 16"h) Color Black Meshtex¹
 - Matr E2 Deep (FLwidth x 18"h) Color Black Meshtex¹
 - Matr E2 Deep (FLwidth x 20"h) Color Black Meshtex¹
- ¹Must be ordered with Back Canes Only option.

Price	HCPCS
\$755	E2620
\$755	E2620
\$755	E2620
\$775	E2620
\$775	E2620

	E2D1410	E2D1510	E2D1610
	E2D1412	E2D1512	E2D1612
	E2D1414	E2D1514	E2D1614
	E2D1416	E2D1516	E2D1616
	E2D1418	E2D1518	E2D1618
	E2D1420	E2D1520	E2D1620

Matrix Back Support Options - Mini

- Matr Mini ((FLwidth-1)"w x 7"h) Color Kidabra¹
 - Matr Mini ((FLwidth-1)"w x 10"h) Color Kidabra¹
 - Matr Mini ((FLwidth-1)"w x 12"h) Color Kidabra¹
 - Matr Mini ((FLwidth-1)"w x 14"h) Color Kidabra¹
 - Matr Mini ((FLwidth-1)"w x 7"h) Color Pink¹
 - Matr Mini ((FLwidth-1)"w x 10h) Color Pink¹
 - Matr Mini ((FLwidth-1)"w x 12"h) Color Pink¹
 - Matr Mini ((FLwidth-1)"w x 14"h) Color Pink¹
 - Matr Mini ((FLwidth-1)"w x 7"h) Color Blue¹
 - Matr Mini ((FLwidth-1)"w x 10"h) Color Blue¹
 - Matr Mini ((FLwidth-1)"w x 12"h) Color Blue¹
 - Matr Mini ((FLwidth-1)"w x 14"h) Color Blue¹
 - Matr Mini ((FLwidth-1)"w x 7"h) Color Black Startex¹
 - Matr Mini ((FLwidth-1)"w x 10"h) Color Black Startex¹
 - Matr Mini ((FLwidth-1)"w x 12"h) Color Black Startex¹
 - Matr Mini ((FLwidth-1)"w x 14"h) Color Black Startex¹
- ¹Must be ordered with Back Canes Only option.

Price	HCPCS
\$625	E2615
\$625	E2615
\$625	E2615
\$625	E2615
\$625	E2615
\$625	E2615
\$625	E2615
\$625	E2615
\$625	E2615
\$625	E2615
\$625	E2615
\$625	E2615
\$625	E2615
\$625	E2615
\$625	E2615
\$625	E2615
\$625	E2615
\$625	E2615
\$625	E2615
\$625	E2615
\$625	E2615
\$625	E2615

MINI1107-K	MINI1207-K	MINI1307-K	
MINI1110-K	MINI1210-K	MINI1310-K	
MINI1112-K	MINI1212-K	MINI1312-K	
MINI1114-K	MINI1214-K	MINI1314-K	
MINI1107-P	MINI1207-P	MINI1307-P	
MINI1110-P	MINI1210-P	MINI1310-P	
MINI1112-P	MINI1212-P	MINI1312-P	
MINI1114-P	MINI1214-P	MINI1314-P	
MINI1107-B	MINI1207-B	MINI1307-B	
MINI1110-B	MINI1210-B	MINI1310-B	
MINI1112-B	MINI1212-B	MINI1312-B	
MINI1114-B	MINI1214-B	MINI1314-B	
MINI1107-S	MINI1207-S	MINI1307-S	
MINI1110-S	MINI1210-S	MINI1310-S	
MINI1112-S	MINI1212-S	MINI1312-S	
MINI1114-S	MINI1214-S	MINI1314-S	

Seat Options

- Select One:**
- Planar Seat Cushion (Includes Solid Seat Pan)** (Same Color as Selected Back Cushion)
 - Seat Pan: 12"-16" Width, 4" Depth Growth ^^
- **Planar Seat Cushion HCPCS code only applies to pediatric sizes 12, 13, and 14.
^^Needed when using other manufacturer's seat cushion.

Price	HCPCS
\$333	E2292
\$154	E2231

	FL12	FL13	FL14	FL15	FL16
	905083	905084	905085	905086	905087
	905057	905057	905057	905057	905057

Matrix Back Support Options - Libra

- Matr Libra ((FLwidth)"w x 12"d) Color Black Startex²
 - Matr Libra ((FLwidth)"w x 14"d) Color Black Startex²
 - Matr Libra ((FLwidth)"w x 16"d) Color Black Startex²
 - Matr Libra ((FLwidth)"w x 18"d) Color Black Startex²
 - Matr Libra ((FLwidth)"w x 20"d) Color Black Startex²
- ²Must be ordered with Seat Pan Only option

Price	HCPCS
\$485	E2624
\$485	E2624
\$485	E2624
\$485	E2624
\$485	E2624

	FL12	FL13	FL14	FL15	FL16
			LC1412		
			LC1414		
			LC1416	LC1516	LC1616
				LC1518	LC1618
				LC1520	LC1620

Matrix Back Support Options - Vi

- Matr Kidabra-Vi ((FL width)x12d Color Kidabra²
 - Matr Kidabra-Vi ((FL width)x14d Color Kidabra²
 - Matr-Vi ((FL width)x15d Color Black Meshtex²
 - Matr-Vi ((FL width)x16d Color Black Meshtex²
 - Matr-Vi ((FL width)x17d Color Black Meshtex²
 - Matr-Vi ((FL width)x18d Color Black Meshtex²
 - Matr-Vi ((FL width)x20d Color Black Meshtex²
- ²Must be ordered with Seat Pan Only option

Price	HCPCS
\$425	E2607
\$425	E2607
\$425	E2607
\$425	E2607
\$425	E2607
\$425	E2607
\$425	E2607

	FL12	FL13	FL14	FL15	FL16
	KA1212-Vi		KA1412-Vi		
	KA1214-Vi		KA1414-Vi		
			MA1415-Vi		
				MA1616-Vi	MA1616-Vi
			MA1417-Vi		
				MA1618-Vi	MA1618-Vi
				MA1620-Vi	MA1620-Vi

Matrix Back Support Options - PS

- Matr PS ((FLwidth)"w x 12"d) Color Kidabra²
 - Matr PS ((FLwidth)"w x 14"d) Color Kidabra²
 - Matr PS ((FLwidth)"w x 16"d) Color Kidabra²
 - Matr PS ((FLwidth)"w x 12"d) Color Pink²
 - Matr PS ((FLwidth)"w x 14"d) Color Pink²
 - Matr PS ((FLwidth)"w x 16"d) Color Pink²
 - Matr PS ((FLwidth)"w x 12"d) Color Blue²
 - Matr PS ((FLwidth)"w x 14"d) Color Blue²
 - Matr PS ((FLwidth)"w x 16"d) Color Blue²
 - Matr PS ((FLwidth)"w x 12"d) Black Startex Reversible Cover²
 - Matr PS ((FLwidth)"w x 14"d) Black Startex Reversible Cover²
 - Matr PS ((FLwidth)"w x 16"d) Black Startex Reversible Cover²
 - Matr PS ((FLwidth)"w x 18"d) Black Startex Reversible Cover²
 - Matr PS ((FLwidth)"w x 20"d) Black Startex Reversible Cover²
- ²Must be ordered with Seat Pan Only option

Price	HCPCS
\$345	E2605
\$345	E2605
\$345	E2605
\$345	E2605
\$345	E2605
\$345	E2605
\$345	E2605
\$345	E2605
\$345	E2605
\$345	E2605
\$345	E2605
\$345	E2605
\$345	E2605
\$345	E2605
\$345	E2605
\$345	E2605
\$345	E2605
\$345	E2605
\$345	E2605
\$345	E2605
\$345	E2605

	FL12	FL13	FL14	FL15	FL16
	PS1212-K	PS1312-K	PS1412-K		
	PS1214-K	PS1314-K	PS1414-K		
	PS1216-K	PS1316-K	PS1416-K		
	PS1212-P	PS1312-P	PS1412-P		
	PS1214-P	PS1314-P	PS1414-P		
	PS1216-P	PS1316-P	PS1416-P		
	PS1212-B	PS1312-B	PS1412-B		
	PS1214-B	PS1314-B	PS1414-B		
	PS1216-B	PS1316-B	PS1416-B		
	PS1212	PS1312	PS1412		
	PS1214	PS1314	PS1414		
	PS1216	PS1316	PS1416	PS1616	PS1616
				PS1618	PS1618
				PS1620	PS1620

Matrix Back Support Options - PSP

- Matr PSP ((FLwidth)"w x 12"d) Color Kidabra²
 - Matr PSP ((FLwidth)"w x 14"d) Color Kidabra²
 - Matr PSP ((FLwidth)"w x 16"d) Color Kidabra²
 - Matr PSP ((FLwidth)"w x 12"d) Color Pink²
 - Matr PSP ((FLwidth)"w x 14"d) Color Pink²
 - Matr PSP ((FLwidth)"w x 16"d) Color Pink²
 - Matr PSP ((FLwidth)"w x 12"d) Color Blue²
 - Matr PSP ((FLwidth)"w x 14"d) Color Blue²
 - Matr PSP ((FLwidth)"w x 16"d) Color Blue²
 - Matr PSP ((FLwidth)"w x 12"d) Black Startex Reversible Cover²
 - Matr PSP ((FLwidth)"w x 14"d) Black Startex Reversible Cover²
 - Matr PSP ((FLwidth)"w x 16"d) Black Startex Reversible Cover²
 - Matr PSP ((FLwidth)"w x 18"d) Black Startex Reversible Cover²
 - Matr PSP ((FLwidth)"w x 20"d) Black Startex Reversible Cover²
- ²Must be ordered with Seat Pan Only option.

Price	HCPCS
\$395	E2607
\$395	E2607
\$395	E2607
\$395	E2607
\$395	E2607
\$395	E2607
\$395	E2607
\$395	E2607
\$395	E2607
\$395	E2607
\$395	E2607
\$395	E2607
\$395	E2607
\$395	E2607
\$395	E2607
\$395	E2607
\$395	E2607
\$395	E2607
\$395	E2607
\$395	E2607
\$395	E2607

	FL12	FL13	FL14	FL15	FL16
	PSP1212-K	PSP1312-K	PSP1412-K		
	PSP1214-K	PSP1314-K	PSP1414-K		
	PSP1216-K	PSP1316-K	PSP1416-K		
	PSP1212-P	PSP1312-P	PSP1412-P		
	PSP1214-P	PSP1314-P	PSP1414-P		
	PSP1216-P	PSP1316-P	PSP1416-P		
	PSP1212-B	PSP1312-B	PSP1412-B		
	PSP1214-B	PSP1314-B	PSP1414-B		
	PSP1216-B	PSP1316-B	PSP1416-B		
	PSP1212	PSP1312	PSP1412		
	PSP1214	PSP1314	PSP1414		
	PSP1216	PSP1316	PSP1416	PSP1616	PSP1616
				PSP1618	PSP1618
				PSP1620	PSP1620

Transit

- Transit Option (Manufacturer Installation Required)±
- ±See bottom of order form regarding the specific configuration in which the chair was tested for WC-19.
^Pelvic positioning belt required.

Price	HCPCS
\$0	K0108

	FL12	FL13	FL14	FL15	FL16
	905082B	905082B	905082B	905082B	905082B

Transit Options

- Q'Straint Transit Lap Belt
- Sure-Lok Transit Lap Belt

Price	HCPCS
\$92	E0978
\$92	E0978

	FL12	FL13	FL14	FL15	FL16
	903094	903094	903094	903094	903094
	903232	903232	903232	903232	903232

<u>Pelvic Positioning</u>		Price	HCPCS	FL12	FL13	FL14	FL15	FL16
<input type="checkbox"/> 2-Point Pelvic Positioning Belt		\$46	E0978	903931	903931	903931	904559	904559
4-Point Pelvic Positioning Belt by R82 (Camlock Kit and Seat Pan Required)								
<input type="checkbox"/> Hip Width: 6.75" - 12.5" (Size XS)		\$138	K0108	905148	905148	905148	905148	905148
<input type="checkbox"/> Hip Width: 8.25" - 13.75" (Size S)		\$138	K0108	905149	905149	905149	905149	905149
<input type="checkbox"/> Hip Width: 9.75" - 16.25" (Size M)		\$138	K0108	905150	905150	905150	905150	905150
<input type="checkbox"/> Hip Width: 12.5" - 17.25" (Size L)		\$138	K0108	905151	905151	905151	905151	905151
<input type="checkbox"/> Hip Width: 16.25" - 20.5" (Size XL)		\$138	K0108	905475	905475	905475	905475	905475
<input type="checkbox"/> Camlock Kit for 4-Point Belt		N/C		905393	905393	905393	905393	905393
Left Width, Height Adj. Lateral Pelvic Support (Hip Guide)								
<input type="checkbox"/> Small - H: 4.5" - 5.5"		\$123	E0956	905320	905320	905320	905320	905320
<input type="checkbox"/> Large - H: 5.25" - 6.25"		\$123	E0956	905322	905322	905322	905322	905322
Right Width, Height Adj. Lateral Pelvic Support (Hip Guide)								
<input type="checkbox"/> Small - H: 4.5" - 5.5"		\$123	E0956	905321	905321	905321	905321	905321
<input type="checkbox"/> Large - H: 5.25" - 6.25"		\$123	E0956	905323	905323	905323	905323	905323
Medial Thigh Support								
<input type="checkbox"/> Medium (2.6" front width, 4.1" depth, 2" back width, 2.7" height)		\$166	E0957	905389	905389	905389	905389	905389
<input type="checkbox"/> Large (3.3" front width, 5" depth, 2.3" back width, 2.9" height)		\$166	E0957	905390	905390	905390	905390	905390
<input type="checkbox"/> X-Large (4" front width, 6" depth, 3" back width, 3" height)		\$166	E0957	905391	905391	905391	905391	905391

*Height is reduced by 2" when used with Cushion.

<u>Foot & Leg Positioning</u>		Price	HCPCS	FL12	FL13	FL14	FL15	FL16
Front Riggings (Footplates attach to the Front Riggings)								
<input type="checkbox"/> 65° Removable Front Riggings - Short (5" - 11" Seat Pan to Footrest Height)		N/C	E0990	905466	905466	905466	905466	905466
<input type="checkbox"/> 65° Removable Front Riggings - Long (5" - 13" Seat Pan to Footrest Height)		N/C	E0990	905465	905465	905465	905465	905465
<input type="checkbox"/> 90° Removable Front Riggings - (5.7" - 11" Seat Pan to Footrest Height)		N/C	E0990	905467	905467	905467	905467	905467
<input type="checkbox"/> Angle Adjustable Elevating Leg Rest (ELR) - Pair ***		\$256	K0195	905077	905077	905078	905078	905136
<input type="checkbox"/> Legrest Extension +2" - Pair (ELR Required)		\$56		904095	904095	904096	904096	904097
Footplates								
<input type="checkbox"/> One-Piece Angle Adjustable Footplates (Flip Up and Reversible) (ELR Required)		\$113	K0040	905160	905161	905162	905163	905164
<input type="checkbox"/> One-Piece Fixed Angle Footplates (Flip-up and Reversible Footplate) (ELR Required)		N/C		905072	905073	905074	905075	905076
<input type="checkbox"/> Individual Angle Adjustable Footplates - Pair (Compatible with std fixed front riggings or ELR)		\$183	K0040	905165	905165	905166	905166	905166
Foot Positioners (Pair)								
<input type="checkbox"/> Small 7" - 10"		\$160	K0108	903415	903415	903415	903415	903415
<input type="checkbox"/> Medium 8" - 11"		\$160	K0108	903416	903416	903416	903416	903416
<input type="checkbox"/> Large 9" - 12"		\$160	K0108	903417	903417	903417	903417	903417
Therafin Shoe Holders w/Padded Straps (Pair)								
<input type="checkbox"/> Small		\$193	K0108	904679	904679	904679	904679	904679
<input type="checkbox"/> Medium		\$193	K0108	904680	904680	904680	904680	904680
<input type="checkbox"/> Fully Padded Footbox (one-piece footplate required)		\$333	K0108	904954	904954	904955	904955	904956
<input type="checkbox"/> Calf Panel		\$63		904580	904580	904580	904580	904580
<input type="checkbox"/> Padded Elevating Legrest Cover (Pair)		\$15	K0108	904619	904619	904619	904619	904619

*2" Legrest Extension interferes with caster swivel when seat is in upright position. Seat must be tilted back at least 5° OR Legrests must be elevated to allow caster swivel.

**Seat to footplate range varies from 5.25" - 18" depending on chair size.

***Recommended for full recline.

<u>Trunk Positioning</u>		Price	HCPCS	FL12	FL13	FL14	FL15	FL16
Neoprene Vest by R82 (Camlock Kit and Back Pan Required)								
<input type="checkbox"/> LT Shoulder to RT Hip: 7.75" - 10.75" (Size XS)		\$205	E0960	905476	905476	905476	905476	905476
<input type="checkbox"/> LT Shoulder to RT Hip: 10.75" - 12.5" (Size S)		\$205	E0960	905152	905152	905152	905152	905152
<input type="checkbox"/> LT Shoulder to RT Hip: 12.5" - 16" (Size M)		\$205	E0960	905153	905153	905153	905153	905153
<input type="checkbox"/> LT Shoulder to RT Hip: 16" - 18.5" (Size L)		\$205	E0960	905154	905154	905154	905154	905154
<input type="checkbox"/> LT Shoulder to RT Hip: 18.5" - 20.5" (Size XL)		\$205	E0960	905480	905480	905480	905480	905480
<input type="checkbox"/> LT Shoulder to RT Hip: 20.5" - 23.5" (Size XXL)		\$205	E0960	905481	905481	905481	905481	905481
<input type="checkbox"/> Camlock Kit for Vest		N/C		905392	905392	905392	905392	905392
Chest Belt, Upholstered by R82 (Camlock Kit and Back Pan Required)								
<input type="checkbox"/> W: 11.25" x D: 7.5" x H: 9.25-12" (Size 1)		\$277	E0960	905155	905155	905155	905155	905155
<input type="checkbox"/> W: 14" X D: 10.25" X H: 10.25-12.75" (Size 2)		\$277	E0960	905156	905156	905156	905156	905156
<input type="checkbox"/> W: 16.25" X D: 12.5" X H: 10.25-12.75" (Size 3)		\$277	E0960	905157	905157	905157	905157	905157
<input type="checkbox"/> W: 20.25" X D: 16" X H: 11.25-14.5" (Size 4)		\$277	E0960	905158	905158	905158	905158	905158
<input type="checkbox"/> Camlock Kit for Vest		N/C		905392	905392	905392	905392	905392
Cross Vest by R82 (Camlock Kit and Back Pan Required)								
<input type="checkbox"/> LT Shoulder to RT Hip: 7.75" - 12.5" (Size XS)		\$195	E0960	905176	905176	905176	905176	905176
<input type="checkbox"/> LT Shoulder to RT Hip: 10.25" - 13.5" (Size S)		\$195	E0960	905177	905177	905177	905177	905177
<input type="checkbox"/> LT Shoulder to RT Hip: 13.5" - 17.75" (Size M)		\$195	E0960	905178	905178	905178	905178	905178
<input type="checkbox"/> LT Shoulder to RT Hip: 17.75" - 20.75" (Size L)		\$195	E0960	905179	905179	905179	905179	905179
<input type="checkbox"/> LT Shoulder to RT Hip: 20.75" - 24.5" (Size XL)		\$195	E0960	905180	905180	905180	905180	905180
<input type="checkbox"/> Camlock Kit for Vest		N/C		905392	905392	905392	905392	905392
Swing-Away Lateral Support Bracket by R82 (Hrdw Req)								
<input type="checkbox"/> Swing-Away Lateral Support Bracket, Right (Ea.)		\$231	E01028	905338	905338	905338	905338	905338
<input type="checkbox"/> Swing-Away Lateral Support Bracket, Left (Ea.)		\$231	E01028	905337	905337	905337	905337	905337
Swing-Away Hardware								
<input type="checkbox"/> Bar, Straight ¼", Right (Ea.)		\$0		905327	905327	905327	905327	905327
<input type="checkbox"/> Bar, Straight ¼", Left (Ea.)		\$0		905327	905327	905327	905327	905327
<input type="checkbox"/> Bar, Offset, 1", Right (Ea.)		\$0		905328	905328	905328	905328	905328
<input type="checkbox"/> Bar, Offset, 1", Left (Ea.)		\$0		905328	905328	905328	905328	905328
<input type="checkbox"/> Bar, Offset 1 ¼", Right (Ea.)		\$0		905329	905329	905329	905329	905329
<input type="checkbox"/> Bar, Offset 1 ¼", Left (Ea.)		\$0		905329	905329	905329	905329	905329
<input type="checkbox"/> Bar, Offset 2 ½", Right (Ea.)		\$0		905330	905330	905330	905330	905330
<input type="checkbox"/> Bar, Offset 2 ½", Left (Ea.)		\$0		905330	905330	905330	905330	905330
Swing-Away Lateral Support Curved Cushion (Ea.)								
<input type="checkbox"/> Curved Cushion 3 ½" x 7 ½", Right (Ea.)		\$108	E0956	905331	905331	905331	905331	905331
<input type="checkbox"/> Curved Cushion 3 ½" x 7 ½", Left (Ea.)		\$108	E0956	905331	905331	905331	905331	905331
<input type="checkbox"/> Curved Cushion 2 ½" x 6 ¾", Right (Ea.)		\$108	E0956	905332	905332	905332	905332	905332
<input type="checkbox"/> Curved Cushion 2 ½" x 6 ¾", Left (Ea.)		\$108	E0956	905332	905332	905332	905332	905332
<input type="checkbox"/> Curved Cushion 2 ½" x 6", Right (Ea.)		\$108	E0956	905333	905333	905333	905333	905333
<input type="checkbox"/> Curved Cushion 2 ½" x 6", Left (Ea.)		\$108	E0956	905333	905333	905333	905333	905333
Swing-Away Lateral Support Standard Cushion (Ea.)								
<input type="checkbox"/> Standard Cushion 4" x 4", Right (Ea.)		\$108	E0956	905334	905334	905334	905334	905334
<input type="checkbox"/> Standard Cushion 4" x 4", Left (Ea.)		\$108	E0956	905334	905334	905334	905334	905334
<input type="checkbox"/> Standard Cushion 2 ¾" x 6 ¾", Right (Ea.)		\$108	E0956	905335	905335	905335	905335	905335
<input type="checkbox"/> Standard Cushion 2 ¾" x 6 ¾", Left (Ea.)		\$108	E0956	905335	905335	905335	905335	905335
<input type="checkbox"/> Protective Cushion for Laterals, Black (Pr.) (Laterals by R82 only)		\$94		905336	905336	905336	905336	905336
<input type="checkbox"/> 1" Thick Padded Lateral Support Cover (X Small only) (Contoured Laterals only)		\$51	E0960	905411	905411	905411	905411	905411

*Pad Size.

^Depth of Laterals is reduced by 1.5" with back upholstery.

**Requires height adjustable solid back system.

Matrix Trunk Positioning Options

Table with 2 columns: Matrix Trunk Positioning Options (checkbox items), Price. Includes items like Matrix MiniFlex Abdominal Support, Matrix PostureFlex, Matrix E2 Fixed Laterals, etc.

3Must be ordered with Matrix Back Support option.

Head Supports

Table with 2 columns: Head Supports (checkbox items), Price. Includes items like Adjustable Wing Head Support, Anatomic Headrest with Cover by R82, R82 Adjustable Width Headrest, etc.

****Requires the Height Adjustable Solid Back System.

Matrix Headrest Options

Table with 2 columns: Matrix Headrest Options (checkbox items), Price. Includes items like Matrix Standard 6" Pad Startex fabric cover, Matrix Standard 10" Pad, etc.

^Requires Matrix Back Support.

Frame Options

Table with 2 columns: Frame Options (checkbox items), Price. Includes items like Recline System (80 to 170 degrees), Flip-up, Height Adjustable, Armrest - Pair, etc.

± For FL15 and FL16, use HCPCS code E1225.

*Flip-up armrest is standard on sizes 15 and 16.

Medical Support Accessories

Table with 2 columns: Medical Support Accessories (checkbox items), Price. Includes items like IV Pole, O2 Tank Holder, LTV Ventilator Holder, etc.

*Requires Rear Anti-Tip Tubes.

*Cannot be used during transit.

^^Required with medium or tall back canes.

Accessories

Table with 2 columns: Accessories (checkbox items), Price. Includes items like Headrest Cover Options (Canopy), Upper Extremity Support Tray, etc.

**Cannot be used during transit.

^Armrests required for sizes 12, 13, and 14. Armrest is standard on sizes 15 & 16.

^IV Pole & Canopy Cannot be used simultaneously.

Table with columns: HCPCS, FL12, FL13, FL14, FL15, FL16. Rows include MINIFLEX-XS, MINIFLEX-S, E0956, E0128/E0956, etc.

Table with columns: HCPCS, FL12, FL13, FL14, FL15, FL16. Rows include E0955, E1028, K0108, etc.

Table with columns: HCPCS, FL12, FL13, FL14, FL15, FL16. Rows include E0955, E0128, etc.

Table with columns: HCPCS, FL12, FL13, FL14, FL15, FL16. Rows include E1014, E1226, E0973, etc.

Table with columns: HCPCS, FL12, FL13, FL14, FL15, FL16. Rows include K0105, E2208, E1029, etc.

Table with columns: HCPCS, FL12, FL13, FL14, FL15, FL16. Rows include K0108, E0950, E1028, etc.

	<u>Customs*</u>	<u>Price</u>	<u>HCPCS</u>	<u>FL12</u>	<u>FL13</u>	<u>FL14</u>	<u>FL15</u>	<u>FL16</u>
<input type="checkbox"/> Two Piece Push Handle *30 Day Standard Delivery.		N/C		905311	905311	905311	905311	905311

***The Flyer Transit option includes four manufacturer installed black wheelchair transportation anchors. The Flyer Transit model has been crash tested and conforms to RESNA WC19 standards.

The Convoid Flyer Mobility Base was tested with the Flyer Seating Module equipped with a head support and wheelchair anchored pelvic lap belt. The performance and safety of accessories and/or other seating options not tested by Convoid is unknown, and no warranty or claim about their performance is or can being made.

Transit and Non Transit weight capacity: Back Cane Position 1: 85 lbs/39 kg and Back Cane Position 2-4: 170 lbs/77 kg.

Furthermore, when being transported in a vehicle it is Convoid's position that the wheelchair user transfer from the wheelchair into appropriate vehicle seating during transportation. Please note that at this time, the Department of Transportation has not officially approved any tie-down system for a user while in a wheelchair, therefore Convoid cannot recommend a transit system.

For more information on RESNA WC-19 and WC-20 standards please visit <http://www.recwts.pitt.edu/WC19.html>.

HCPCS codes are provided for your convenience and are NOT to be considered billing or legal advice. Providers are responsible for insuring that appropriate billing codes are used when submitting claims. Proper use of HCPCS codes does not insure coverage or payment. Contact the appropriate payer for coverage information.

Standard Domestic Shipping Rate: \$40 • For expedited shipping rates, please call 1-844-876-6245

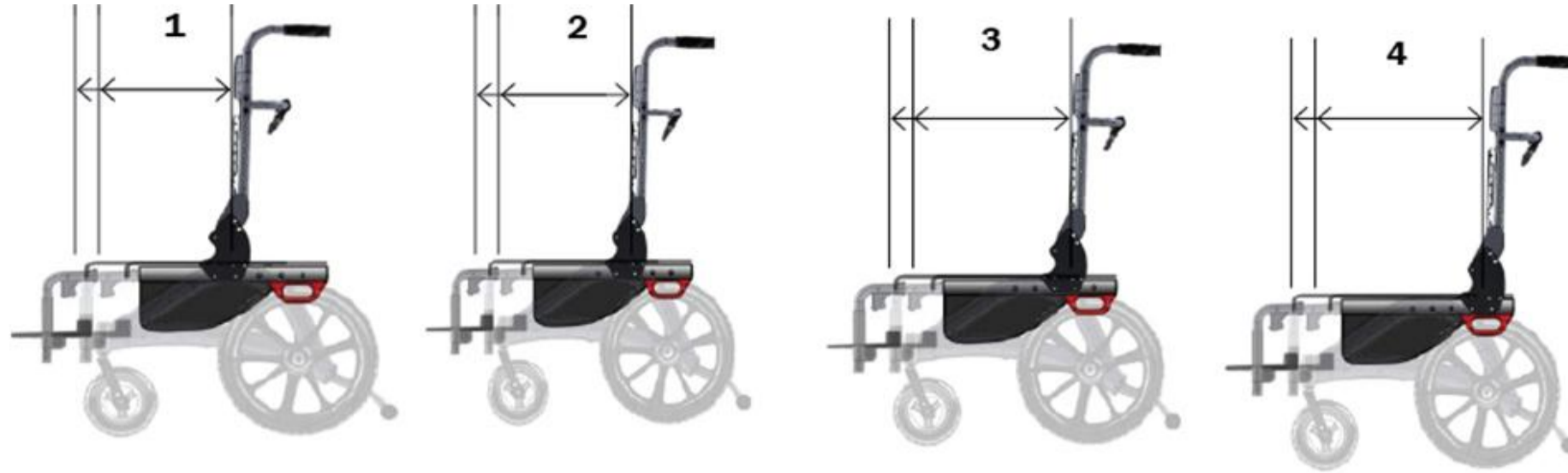
Prices in USD & subject to change, ex works Torrance, California.

Effective: 9/1/2021

Convoid
2830 California Street
Torrance, CA 90503
1 844-US-MOBILITY (844-876-6245)
www.etac.us.com



Seat Depth Adjustable Positions:



Position Option	1	2	3	4
Seating System Seat Depth Adjustment Range				
Back Canes	11" – 15"	13" – 17"	15" – 19"	17" – 21"
Solid Back*	9.5" – 13.5"	11.5" – 15.5"	13.5" – 17.5"	15.5" – 19.5"

*Seat Depth is reduced by 1 1/2" when used with solid back seating system

Footplate Dimensions:

Seat to Footplate Dimensions	Mounting	12" Flyer	13" Flyer	14" Flyer	15" Flyer	16" Flyer
One-Piece Angle Adjustable Footplates	Flip-Up	9in-14in	9in-14in	11in-16in	11in-16in	13in-18in
	Reversible	5.25in-11.25in	5.25in-11.25in	7.25in-13.25in	7.25in-13.25in	9.25in-15.25in
One-Piece Fixed Angle Footplates	Flip-Up	9in-14in	9in-14in	11in-16in	11in-16in	13in-18in
	Reversible	5.25in-11.25in	5.25in-11.25in	7.25in-13.25in	7.25in-13.25in	9.25in-15.25in
Individual Angle Adjustable Footplates - Pair	Flip-Up	7in-13in	7in-13in	9.5in-15.5in	9.5in-15.5in	12in-18in
	Reversible	4.5in-9.25in	4.25in-11in	4.25in-11in	4.25-11in	7.25in-13.25in

Height Adjustable Removable Armrest Length:

Recommended Height Adjustable Removable Armrest Length per Seat Depth Position				
	Seat Depth Position 1	Seat Depth Position 2	Seat Depth Position 3	Seat Depth Position 4
Height Adjustable Removable Armrest - Short 9.00" Length	●	●		
Height Adjustable Removable Armrest - Short 9.00" Length			●	●