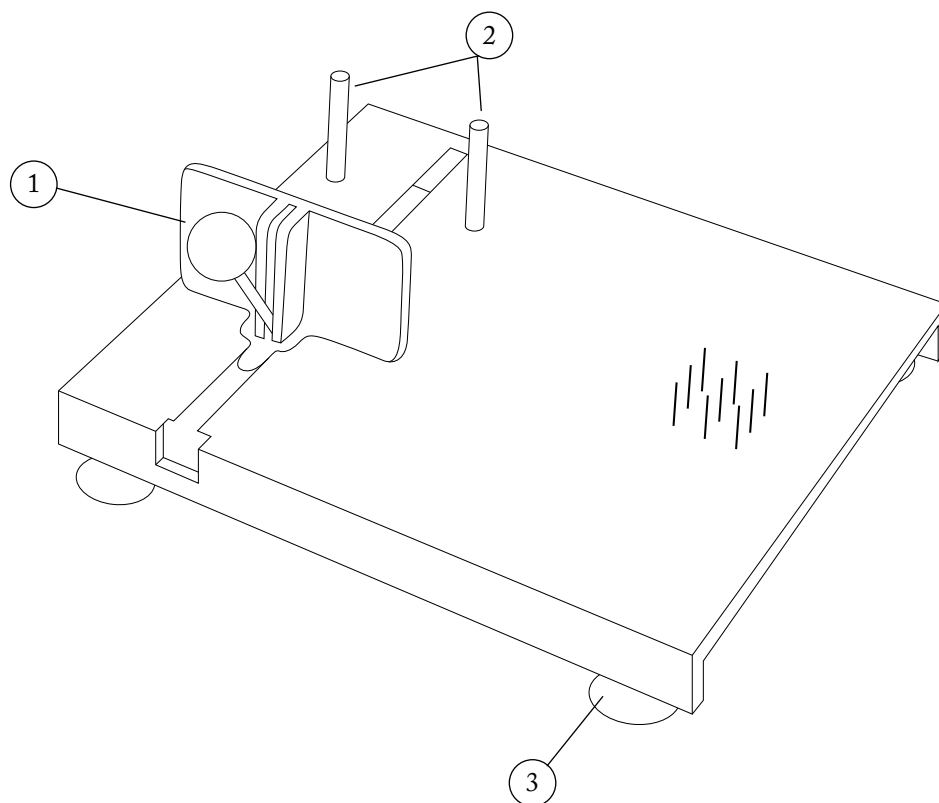


Fixation plate

Art.no 8050 1004



Pos	Description	Art no
1	Fixation plate	84001152
2	Prep. board kit	84001200
3	Suction cup Preparation board 4 pcs	84001201

78365A

07-01-04

Etac, Box 203, SE-334 24 Anderstorp

Tel. +46/371-58 73 00, Fax. +46/371-58 73 90

www.etac.com