

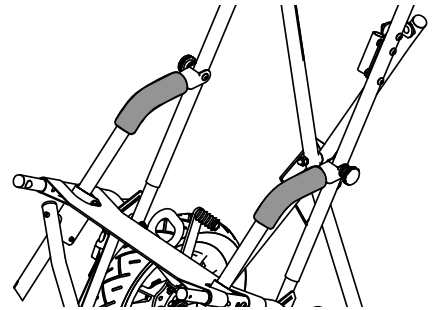
ACCESSORIES

Frame Armrest Cover - Pair

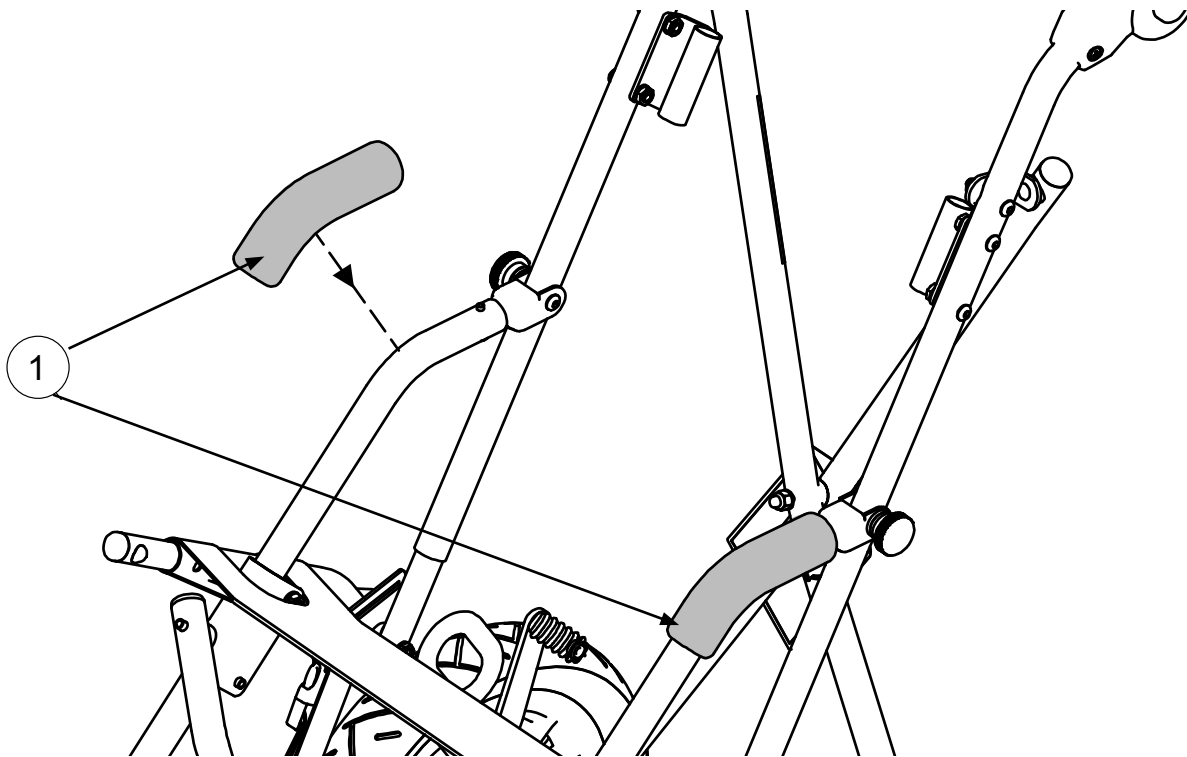
994764

Kit Includes

Item	Description	Qty
1	CX Frame Armrest Cover w/Zipper 5" Lg	2



Assembled



If you have any questions about attaching the Armrest Cover, please call our Sales Department at 888 CONVAID (266-8243) or +1 310 618-0111.

INSTRUCTIONS

Frame Armrest Cover - Pair

1. Using a blade, remove the existing foam cover.
2. Unzip the new armrest cover and wrap around the front leg tube.
3. The zipper of the armrest cover should be facing downward.
4. Zip the armrest cover up.