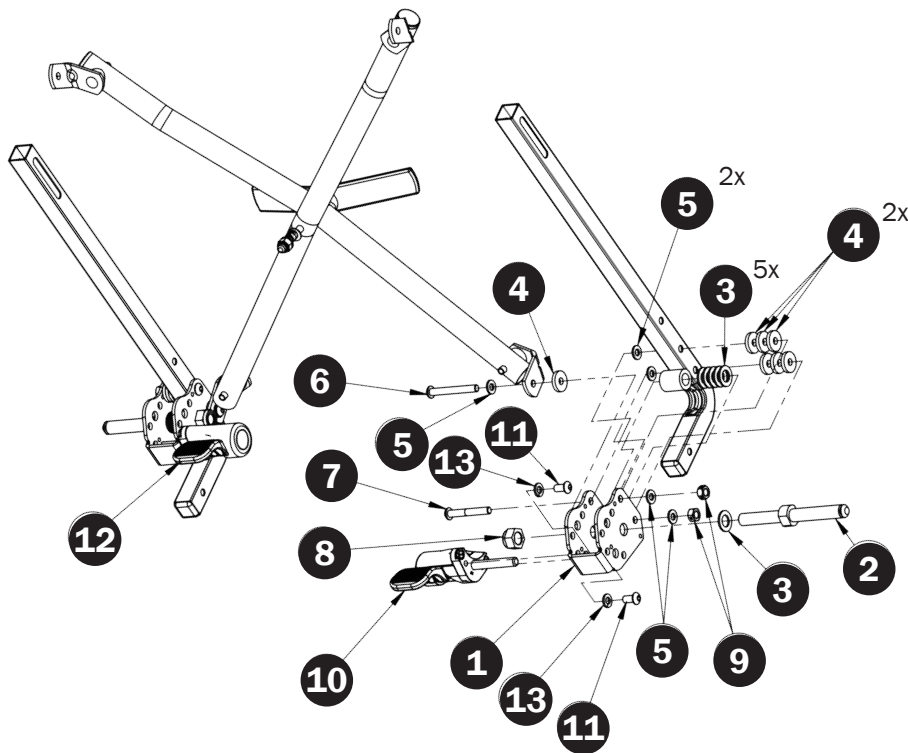
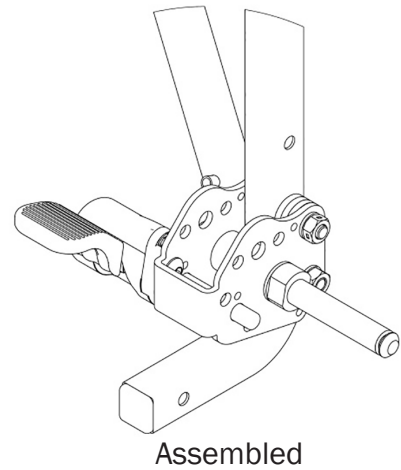


R82 Wheel Lock Retrofit Kit

#997312

Kit Includes

Item	Parts#	Description	Qty
1	509410	R82 Brake Bracket	2
2	506819	Rear Axle	2
3	100090	Washer 7/16" AN-960-716	12
4	100478	Nylon Washer 1/4" X 3/4" X 1/8"	14
5	100089	Washer 1/4" AN-960-416	10
6	100633	Bolt 1/4"-28 X 2" Socket Button Head	2
7	100751	Bolt 1/4"-28 X 1-3/4" Socket Button HD Alloy Steel-Partially	2
8	100021	Locknut 7/16"-20 Nylon Insert Black Zinc	2
9	100045	Locknut 1/4"-28 Flexlock Black Zinc	4
10	509415	R82 Brake Assembly (RH)	1
11	100625	Bolt 1/4"-20 X 1/2" Socket Button Head	4
12	509414	R82 Brake Assembly (LH)	1
13	101029	Split Lock Washer 1/4" ID	4



Close Up

If you have any questions, please call our Sales Department at 1-844-US-MOBILITY (844-876-6245).

INSTRUCTIONS

R82 Wheel Lock Retrofit Kit

1. Remove rear wheel from the frame.
2. Using two 5/8" wrenches, remove the axle nut and axle.
3. Use a 7/16" wrench and a 5/32" allen wrench to remove the existing Rolko brake assembly from the frame.
4. Discard the existing brake assembly with the brake bracket.
5. Install the new brake bracket **ITEM 1** onto the frame. Be sure to follow the schematic to place the washers in the proper order. The X-brace cleat sits outside of the brake bracket.
6. Using two 5/8" wrenches, install the axle nut **ITEM 8** and axle **ITEM 2**.
7. Align the holes on the brake bracket and install the replacement brake assembly.
(**ITEM 10** for right side and **ITEM 12** for left side)
8. Attach **ITEM 10** using the washers **ITEM 13** and bolt **ITEM 11** with a 5/32" allen wrench.
- 9 Repeat for opposite side.