

Convoid Flyer

Canadian Retail Price List / Order Form

Account #: _____

Purchase Order #: _____ Date: _____

Contact: _____

Mark For: _____

Bill To:	Ship To:
Address:	Address:
City/State/Zip:	
Phone:	City/State/Zip:
Email:	Phone:

Flyer Base Standard Features:

- CG Tilt-in-Space (-5° to +40°)
- 30° back angle adjustment (80° to 110°)
- Fixed Rear Wheels
- Single Foot Activated Wheel Lock
- HCPCS code E1161 is only valid on chairs 15" or greater
- 90° Removable, Front Riggings with Fixed Angled Footplate
- Flip-up armrests - Long (Standard on FL15 and FL16)
- Choice of 3 Mobility Base colors
- One-Piece Push Handle
- Choice of three back cane heights
- Made in the USA

Standard Models:

- Flyer FL12 - 905088
- Flyer FL13 - 905089
- Flyer FL14 - 905090
- Flyer FL15 - 905091
- Flyer FL16 - 905092

Price
\$3,665
\$3,665
\$3,665
\$3,665
\$3,665

All prices in CAD

Frame Colors

- Cherry Red
- Royal Blue
- Cosmic Silver
- Plum Purple

Price
N/C
N/C
N/C
N/C

FL12	FL13	FL14	FL15	FL16
905133	905133	905133	905133	905133
905134	905134	905134	905134	905134
905135	905135	905135	905135	905135
905461	905461	905461	905461	905461

Seat Depth Range Options (see chart on last page of order form)

- Position 1: 11"-15"
- Position 2: 13"-17"
- Position 3: 15"-19"
- Position 4: 17"-21"

*Seat Depth is reduced by 1 1/2" when used with Solid Back System with Cushions and requires tools.

Price
N/C
N/C
N/C
N/C

FL12	FL13	FL14	FL15	FL16
905197	905197	905197	905197	905197
905198	905198	905198	905198	905198
905199	905199	905199	905199	905199
905200	905200	905200	905200	905200

Tire Selection

- 11.5" Rear Tire, 6" x 2" Front Caster (15" Front Seat to Floor Height)

Select One:

- 11.5" Rear Fixed Wheels
- 11.5" Quick Release Rear Wheels

- 16" Rear Tire, 7.5" x 2" Front Caster (17" Front Seat to Floor Height)

Select One:

- 16" Rear Fixed Wheels
- 16" Quick Release Rear Wheels

Price
N/C

FL12	FL13	FL14	FL15	FL16
905303	905304	905305	905306	905307
905384	905384	905384	905384	905384
905387	905387	905387	905387	905387
905059	905060	905061	905062	905063
905385	905385	905385	905385	905385
905388	905388	905388	905388	905388

Seat Options

- Planar Seat Cushion (Includes Solid Seat Pan)**
- Seat Pan: 12"-16" Width, 4" Depth Growth ^^

**Planar Seat Cushion HCPCS code only applies to pediatric sizes 12, 13, and 14.

^^Needed when using other manufacturer's seat cushion.

Price
\$426
\$196

FL12	FL13	FL14	FL15	FL16
905083	905084	905085	905086	905087
905057	905057	905057	905057	905057

Back Options

Back Cane Fixed Heights* (7/8" diameter)- with Push Handles (Select One):

- Short: 19" - (Supports back height range: 13" - 19")**** (Cannot be used with IV Pole)
- Medium: 22" - (Supports back height range 13" - 22")***
- Tall: 25" - (Supports back height range 13" - 25")***

- Height adjustable solid back system (13" - 25") with 3 back cushions and front/back covers****

- Back Pans (4 Pieces)

Cushion Accent Color (cushion is black, color is for piping along sides) Select One:

- Royal Blue
- Forest Green
- Cherry Red
- Sassy Purple
- Princess Pink
- Panther Black
- Chocolate Brown
- Aqua Blue
- Apple Green

***Measured from pan to push handle bend.

****Height Adjustable Solid Back System w/Back Cushion HCPCS code only applies to pediatric sizes 12, 13, and 14.

Price
N/C
N/C
N/C
\$687
\$196

FL12	FL13	FL14	FL15	FL16
905054	905054	905054	905054	905054
905055	905055	905055	905055	905055
905056	905056	905056	905056	905056
905093	905094	905095	905096	905097
905058	905058	905058	905058	905058
903850	903850	903850	903850	903850
903857	903857	903857	903857	903857
903855	903855	903855	903855	903855
903851	903851	903851	903851	903851
903759	903759	903759	903759	903759
903854	903854	903854	903854	903854
904189	904189	904189	904189	904189
904753	904753	904753	904753	904753
904754	904754	904754	904754	904754

Push Handle Option

- One-Piece Height Adjustable Push Handle Option (+- 9" height adjustable from back canes height) (Select One):

- Outside Mount
- Inside Mount

Price
N/C
N/C

905108	905109	905110	905111	905112
905098	905099	905100	905101	905102

Transit

- Transit Option (Manufacturer Installation Required)±

±See bottom of order form regarding the specific configuration in which the chair was tested for WC-19.

^Pelvic positioning belt required.

Price
\$262

FL12	FL13	FL14	FL15	FL16
905082	905082	905082	905082	905082

Transit Options

- Q'Straint Transit Lap Belt
- Sure-Lok Transit Lap Belt

Price
\$118
\$118

FL12	FL13	FL14	FL15	FL16
903094	903094	903094	903094	903094
903232	903232	903232	903232	903232

Pelvic Positioning

- 2-Point Pelvic Positioning Belt

4-Point Pelvic Positioning Belt by R82 (Camlock Kit and Seat Pan Required)

- W: 9-10.25" X D: 21.5" (Size 0)
- W: 10.25-11.25" X D: 21.5" (Size 1)
- W: 12-13.5" X D: 21.5" X H: 19.5" (Size 2)
- W: 14-15.5" X D: 21.5" X H: 19.5" (Size 3)
- Camlock Kit for 4-Point Belt

Left Width, Height Adj. Lateral Pelvic Support (Hip Guide)

- Small - H: 4.5" - 5.5"
- Large - H: 5.25" - 6.25"

Right Width, Height Adj. Lateral Pelvic Support (Hip Guide)

- Small - H: 4.5" - 5.5"
- Large - H: 5.25" - 6.25"

Medial Thigh Support

- Medium (2.6" front width, 4.1" depth, 2" back width, 2.7" height)
- Large (3.3" front width, 5" depth, 2.3" back width, 2.9" height)
- X-Large (4" front width, 6" depth, 3" back width, 3" height)

*Height is reduced by 2" when used with Cushion.

Price
\$59
\$176
\$176
\$176
\$176
N/C
\$157
\$157
\$157
\$157
\$212
\$212
\$212

FL12	FL13	FL14	FL15	FL16
903931	903931	903931	904559	904559
905148	905148	905148	905148	905148
905149	905149	905149	905149	905149
905150	905150	905150	905150	905150
905151	905151	905151	905151	905151
905393	905393	905393	905393	905393
905320	905320	905320	905320	905320
905322	905322	905322	905322	905322
905321	905321	905321	905321	905321
905323	905323	905323	905323	905323
905389	905389	905389	905389	905389
905390	905390	905390	905390	905390
905391	905391	905391	905391	905391

- Foot & Leg Positioning**
- Front Riggings (Footplates attach to the Front Riggings)**
- Angle Adjustable Elevating Leg Rest (ELR) - Pair *** **\$327**
 - Legrest Extension +2** - Pair (ELR Required) **\$72**
- Footplates**
- One-Piece Angle Adjustable Footplates (Flip Up and Reversible) (ELR Required) **\$144**
 - One-Piece Fixed Angle Footplates (Flip-up and Reversible Footplate) (ELR Required) **N/C**
 - Individual Angle Adjustable Footplates - Pair (Compatible with std fixed front riggings or ELR) **\$234**
- Foot Positioners (Pair)**
- Small 7" - 10" **\$206**
 - Medium 8" - 11" **\$206**
 - Large 9" - 12" **\$206**
- Therapin Shoe Holders w/Padded Straps (Pair)**
- Small **\$246**
 - Medium **\$246**
- Fully Padded Footbox (one-piece footplate required) **\$425**
 - Calf Panel **\$80**
 - Padded Elevating Legrest Cover (Pair) **\$20**
- *2" Legrest Extension interferes with caster swivel when seat is in upright position. Seat must be tilted back at least 5° OR Legrests must be elevated to allow caster swivel.*
***Seat to footplate range varies from 5.25" - 18" depending on chair size.*
****Recommended for full recline.*

	FL12	FL13	FL14	FL15	FL16
	905077	905077	905078	905078	905136
	904095	904095	904096	904096	904097
	905160	905161	905162	905163	905164
	905072	905073	905074	905075	905076
	905165	905165	905166	905166	905166
	903415	903415	903415	903415	903415
	903416	903416	903416	903416	903416
	903417	903417	903417	903417	903417
	904679	904679	904679	904679	904679
	904680	904680	904680	904680	904680
	904954	904954	904955	904955	904956
	904580	904580	904580	904580	904580
	904619	904619	904619	904619	904619

- Trunk Positioning**
- Neoprene Vest by R82 (Camlock Kit and Back Pan Required)**
- W: 7" x D: 5.5" x H: 4" (Size 1) **\$261**
 - W: 6.5" x D: 9" x H: 6.75" (Size 2) **\$261**
 - W: 11.25" x D: 7.75" x H: 7" (Size 3) **\$261**
 - Camlock Kit for Vest **N/C**
- Chest Belt, Upholstered by R82 (Camlock Kit and Back Pan Required)**
- W: 11.25" x D: 7.5" x H: 9.25-12" (Size 1) **\$354**
 - W: 14" X D: 10.25" X H: 10.25-12.75" (Size 2) **\$354**
 - W: 16.25" X D: 12.5" X H: 10.25-12.75" (Size 3) **\$354**
 - W: 20.25" X D: 16" X H: 11.25-14.5" (Size 4) **\$354**
 - Camlock Kit for Vest **N/C**
- Cross Vest by R82 (Camlock Kit and Back Pan Required)**
- W: 4.5" X D: .5" X H: 11" (Size 0) **\$249**
 - W: 5" X D: .5" X H: 12" (Size 1) **\$249**
 - W: 5.2" X D: .5" X H: 12.75" (Size 2) **\$249**
 - W: 6.25" X D: 4.75" X H: 15.25" (Size 3) **\$249**
 - W: 7.5" X D: 6.75" X H: 18.25" (Size 4) **\$249**
 - Camlock Kit for Vest **N/C**
- Swing-Away Lateral Support Bracket by R82 (Hrdw Req)**
- Swing-Away Lateral Support Bracket, Right (Ea.) **\$295**
 - Swing-Away Lateral Support Bracket, Left (Ea.) **\$295**
- Swing-Away Hardware**
- Bar, Straight 4/4", Right (Ea.) **\$0**
 - Bar, Straight 4/4", Left (Ea.) **\$0**
 - Bar, Offset, 1", Right (Ea.) **\$0**
 - Bar, Offset, 1", Left (Ea.) **\$0**
 - Bar, Offset 1 1/4", Right (Ea.) **\$0**
 - Bar, Offset 1 1/4", Left (Ea.) **\$0**
 - Bar, Offset 2 1/2", Right (Ea.) **\$0**
 - Bar, Offset 2 1/2", Left (Ea.) **\$0**
- Swing-Away Lateral Support Curved Cushion (Ea.)**
- Curved Cushion 3 1/2" x 7 1/2", Right (Ea.) **\$137**
 - Curved Cushion 3 1/2" x 7 1/2", Left (Ea.) **\$137**
 - Curved Cushion 2 1/2" x 6 3/4", Right (Ea.) **\$137**
 - Curved Cushion 2 1/2" x 6 3/4", Left (Ea.) **\$137**
 - Curved Cushion 2 1/2" x 6", Right (Ea.) **\$137**
 - Curved Cushion 2 1/2" x 6", Left (Ea.) **\$137**
- Swing-Away Lateral Support Standard Cushion (Ea.)**
- Standard Cushion 4" x 4", Right (Ea.) **\$137**
 - Standard Cushion 4" x 4", Left (Ea.) **\$137**
 - Standard Cushion 2 3/4" x 6 1/4", Right (Ea.) **\$137**
 - Standard Cushion 2 3/4" x 6 1/4", Left (Ea.) **\$137**
- Protective Cushion for Laterals, Black (Pr.) (Laterals by R82 only) **\$120**
 - 1" Thick Padded Lateral Support Cover (X Small only) (Contoured Laterals only) **\$65**
- *Pad Size.*
^Depth of Laterals is reduced by 1.5" with back upholstery.
***Requires height adjustable solid back system.*

	FL12	FL13	FL14	FL15	FL16
	905152	905152	905152	905152	905152
	905153	905153	905153	905153	905153
	905154	905154	905154	905154	905154
	905392	905392	905392	905392	905392
	905155	905155	905155	905155	905155
	905156	905156	905156	905156	905156
	905157	905157	905157	905157	905157
	905158	905158	905158	905158	905158
	905392	905392	905392	905392	905392
	905176	905176	905176	905176	905176
	905177	905177	905177	905177	905177
	905178	905178	905178	905178	905178
	905179	905179	905179	905179	905179
	905180	905180	905180	905180	905180
	905392	905392	905392	905392	905392
	905338	905338	905338	905338	905338
	905337	905337	905337	905337	905337
	905327	905327	905327	905327	905327
	905327	905327	905327	905327	905327
	905328	905328	905328	905328	905328
	905328	905328	905328	905328	905328
	905329	905329	905329	905329	905329
	905329	905329	905329	905329	905329
	905330	905330	905330	905330	905330
	905330	905330	905330	905330	905330
	905331	905331	905331	905331	905331
	905331	905331	905331	905331	905331
	905332	905332	905332	905332	905332
	905332	905332	905332	905332	905332
	905333	905333	905333	905333	905333
	905333	905333	905333	905333	905333
	905334	905334	905334	905334	905334
	905334	905334	905334	905334	905334
	905335	905335	905335	905335	905335
	905335	905335	905335	905335	905335
	905336	905336	905336	905336	905336
	905411	905411	905411	905411	905411

- Head Supports**
- Adjustable Wing Head Support**** **\$347**
- Anatomic Headrest with Cover by R82 (Requires Headrest Universal Mount & Swing-away Mounting Bracket)**
- Small **\$334**
 - Medium **\$334**
- R82 Adjustable Width Headrest, Dynamic - Long (Requires Headrest Universal Mount & Swing-away Mounting Bracket)**
- Adjustable Width Headrest Large Laterals w/Speakers, Dynamic, Black Cover - Long **\$629**
 - Adjustable Width Headrest, Large Laterals, Dynamic, Black Cover - Long **\$504**
 - Adjustable Width Headrest Two Laterals, Dynamic, Black Cover - Long **\$504**
 - Adjustable Width Headrest Four Laterals, Dynamic, Black Cover - Long **\$504**
- R82 Adjustable Width Headrest, Dynamic - Short (Requires Headrest Universal Mount & Swing-away Mounting Bracket)**
- Adjustable Width Headrest Large Laterals w/Speakers, Dynamic, Black Cover - Short **\$629**
 - Adjustable Width Headrest, Large Laterals, Dynamic, Black Cover - Short **\$504**
 - Adjustable Width Headrest Two Laterals, Dynamic, Black Cover - Short **\$504**
 - Adjustable Width Headrest Four Laterals, Dynamic, Black Cover - Short **\$504**
- R82 Adjustable Width Headrest, Non-Dynamic - Long (Requires Headrest Universal Mount & Swing-away Mounting Bracket)**
- Adjustable Width Headrest Large Laterals w/Speakers, Non-Dynamic, Black Cover - Long **\$530**
 - Adjustable Width Headrest, Large Laterals, Non-Dynamic, Black Cover - Long **\$399**
 - Adjustable Width Headrest Two Laterals, Non-Dynamic, Black Cover - Long **\$399**
 - Adjustable Width Headrest Four Laterals, Non-Dynamic, Black Cover - Long **\$399**
- R82 Adjustable Width Headrest, Non-Dynamic - Short (Requires Headrest Universal Mount & Swing-away Mounting Bracket)**
- Adjustable Width Headrest Large Laterals w/Speakers, Non-Dynamic, Black Cover - Short **\$530**
 - Adjustable Width Headrest, Large Laterals, Non-Dynamic, Black Cover - Short **\$399**
 - Adjustable Width Headrest Two Laterals, Non-Dynamic, Black Cover - Short **\$399**
 - Adjustable Width Headrest Four Laterals, Non-Dynamic, Black Cover - Short **\$399**
- Swing-Away Mounting Bracket - Height, Depth, Angle & Lateral Adjustable by R82 (Required for R82 head supports) (Select One):**
- Turtle Neck Bar System, Short **\$301**
 - Turtle Neck Bar System, Long **\$301**
- Headrest Universal Mount (Accommodates most manufacturer's head supports)**** **\$72**
- ****Requires the Height Adjustable Solid Back System.*

	FL12	FL13	FL14	FL15	FL16
	904608	904608	904608	904608	904608
	904950	904950	904950	904950	904950
	904951	904951	904951	904951	904951
	905282	905282	905282	905282	905282
	905173	905173	905173	905173	905173
	905288	905288	905288	905288	905288
	905174	905174	905174	905174	905174
	905284	905284	905284	905284	905284
	905286	905286	905286	905286	905286
	905175	905175	905175	905175	905175
	905290	905290	905290	905290	905290
	905281	905281	905281	905281	905281
	905170	905170	905170	905170	905170
	905289	905289	905289	905289	905289
	905291	905291	905291	905291	905291
	905285	905285	905285	905285	905285
	905287	905287	905287	905287	905287
	905172	905172	905172	905172	905172
	905171	905171	905171	905171	905171
	904948	904948	904948	904948	904948
	904947	904947	904947	904947	904947
	904946	904946	904946	904946	904946

- Frame Options**
- Recline System (80 to 130 degrees) (Manufacturer installation required)**
- Recline on Flyer 12, 13, 14
 - Recline on Flyer 15 and 16±
- Flip-up, Height Adjustable, Armrest - Pair (Select option for sizes 12, 13, or 14)***
- Height adjustable Flip-Up Armrests (pair) - Short 8.34" Length
 - Height adjustable Flip-Up Armrests (pair) - Short 8.34" Length
 - Height adjustable Flip-Up Armrests (pair) - Long 11.34" Length
 - Height adjustable Flip-Up Armrests (pair) - Long 11.34" Length
- Removable Adjustable, Armrest - Pair**
- Height Adjustable Removable Armrests (pair) - Short 9.00" Length
 - Height Adjustable Removable Armrests (pair) - Long 11.00" Length
- ± For FL15 and FL16, use HCPCS code E1225.
*Flip-up armrest is standard on sizes 15 and 16.

Price	FL12	FL13	FL14	FL15	FL16
\$628	905185	905185	905185		
\$628				905186	905186
\$299	905167	905167	905167		
\$0				905324	905324
\$299	905168	905168	905168		
\$0				905325	905325
\$380	905396	905396	905396	905396	905396
\$380	905397	905397	905397	905397	905397

- Medical Support Accessories**
- IV Pole (height adjustable and collapsible)°^^
 - O2 Tank Holder*
 - LTV Ventilator Holder
 - Ventilator/Suction/Hard Tray (H:2.6", L: 13.1", W: Seat Width+1.4")
- *Requires Rear Anti-Tip Tubes.
*Cannot be used during transit.
^^Required with medium or tall back canes.

Price	FL12	FL13	FL14	FL15	FL16
\$196	904566	904566	904566	904566	904566
\$229	905070	905070	905070	905070	905070
\$589	905071	905071	905071	905071	905071
\$589	905079	905079	905079	905079	905079

- Accessories**
- Headrest Cover Options (Canopy)**
- Headrest Cover (Canopy)°
 - Extended Headrest Cover - No Windows (Canopy)°
 - Extended Headrest Cover - with Windows (Canopy)°
- Upper Extremity Support Tray (Flip-Up Armrests)**^
 - Adj. Removable Hardware (Required for Clear Tray) (Flip-Up Armrests)
 - Upper Extremity Support Tray (Removable Armrests) Size 1
 - Upper Extremity Support Tray (Removable Armrests) Size 2
 - Upper Extremity Support Tray (Removable Armrests) Size 3
 - Adj. Removable Hardware (Required for Clear Tray) (Removable Armrests)
 - Upper Extremity Support Surface (Foam Tray)
 - Curb Tipper
 - Caster Locks (Manufacturer Installation Required) (ELR recommended to avoid caster & front rigging interference)
 - Rear Anti-Tip Tubes
 - Under Seat Storage Basket
 - Medical Necessity Storage Basket
- **Cannot be used during transit.
^Armrests required for sizes 12, 13, and 14. Armrest is standard on sizes 15 & 16.
°IV Pole & Canopy Cannot be used simultaneously.

Price	FL12	FL13	FL14	FL15	FL16
\$291	902679	902679	902659	902659	903152
\$328	904729	904729	904730	904730	904731
\$387	904745	904745	904746	904746	904747
\$145	903405	903405	903401	903401	904525
\$297	903369	903369	903369	903369	903369
\$209	905398	905398	905398		
\$209		905399	905399	905399	
\$209			905400	905400	905400
\$242	905401	905401	905401	905401	905401
\$200	903669	903669	903670	903670	903670
\$128	905365	905365	905365	905365	905365
\$123	904650	904650	904650	904650	904650
\$151	905069	905069	905069	905069	905069
\$157	905195	905195	905196	905196	905196
\$386	905274	905274	905275	905275	905275

***The Flyer Transit option includes four manufacturer installed black wheelchair transportation anchors. The Flyer Transit model has been crash tested and conforms to RESNA WC19 standards.

The Convoid Flyer Mobility Base was tested with the Flyer Seating Module equipped with a head support and wheelchair anchored pelvic lap belt. The performance and safety of accessories and/or other seating options not tested by Convoid is unknown, and no warranty or claim about their performance is or can being made.

Transit and Non Transit weight capacity: Back Cane Position 1: 85 lbs/39 kg and Back Cane Position 2-4: 145 lbs/66 kg.

Furthermore, when being transported in a vehicle it is Convoid's position that the wheelchair user transfer from the wheelchair into appropriate vehicle seating during transportation. Please note that at this time, the Department of Transportation has not officially approved any tie-down system for a user while in a wheelchair, therefore Convoid cannot recommend a transit system.

For more information on RESNA WC-19 and WC-20 standards please visit <http://www.ercwts.pitt.edu/WC19.html>.

HCPCS codes are provided for your convenience and are NOT to be considered billing or legal advice. Providers are responsible for insuring that appropriate billing codes are used when submitting claims. Proper use of HCPCS codes does not insure coverage or payment. Contact the appropriate payer for coverage information.

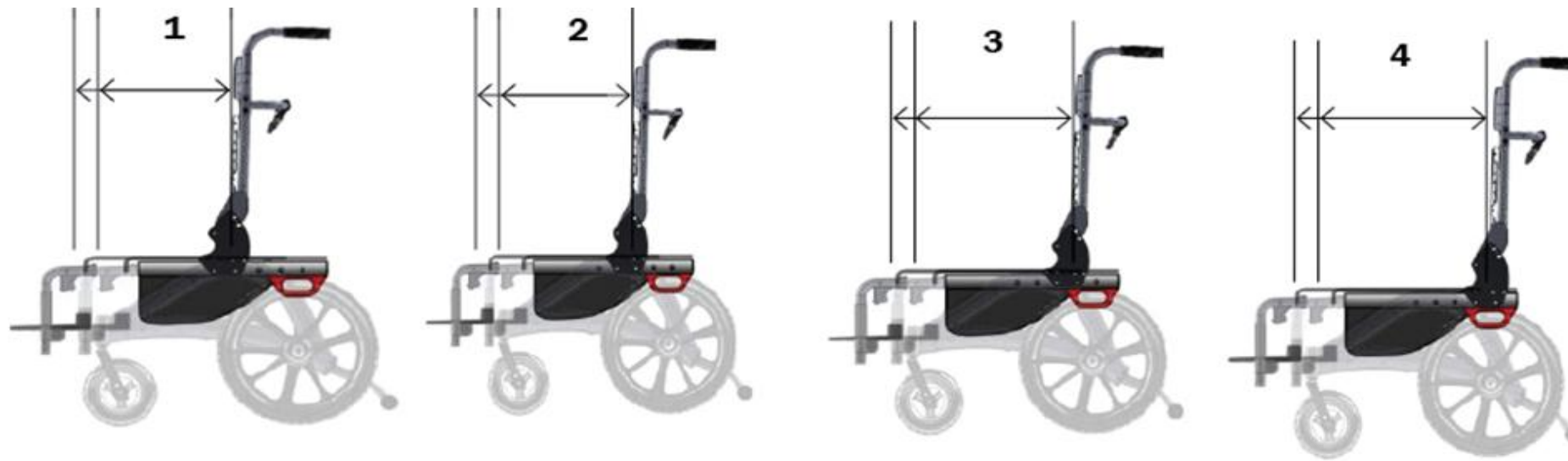
Standard Shipping Rates: Ground \$69 • For expedited shipping rates, please call 1-844-876-6245
Prices in CAD & subject to change, ex works Torrance, California.

Convoid
2830 California Street
Torrance, CA 90503
1 844-US-MOBILITY (844-876-6245)
www.etac.us.com

Effective: 9/10/2020

OF2402-ENG-REV.05
etac[®]
Creating Possibilities

Seat Depth Adjustable Positions:



Position Option	1	2	3	4
Seating System Seat Depth Adjustment Range				
Back Canes	11" – 15"	13" – 17"	15" – 19"	17" – 21"
Solid Back*	9.5" – 13.5"	11.5" 15.5"	13.5" – 17.5"	15.5" – 19.5"

*Seat Depth is reduced by 1 1/2" when used with solid back seating system

Footplate Dimensions:

Seat to Footplate Dimensions	Mounting	12" Flyer	13" Flyer	14" Flyer	15" Flyer	16" Flyer
One-Piece Angle Adjustable Footplates	Flip-Up	9in-14in	9in-14in	11in-16in	11in-16in	13in-18in
	Reversible	5.25in-11.25in	5.25in-11.25in	7.25in-13.25in	7.25in-13.25in	9.25in-15.25in
One-Piece Fixed Angle Footplates	Flip-Up	9in-14in	9in-14in	11in-16in	11in-16in	13in-18in
	Reversible	5.25in-11.25in	5.25in-11.25in	7.25in-13.25in	7.25in-13.25in	9.25in-15.25in
Individual Angle Adjustable Footplates - Pair	Flip-Up	7in-13in	7in-13in	9.5in-15.5in	9.5in-15.5in	12in-18in
	Reversible	4.5in-9.25in	4.25in-11in	4.25in-11in	4.25-11in	7.25in-13.25in

Height Adjustable Removable Armrest Length:

Recommended Height Adjustable Removable Armrest Length per Seat Depth Position				
	Seat Depth Position 1	Seat Depth Position 2	Seat Depth Position 3	Seat Depth Position 4
Height Adjustable Removable Armrest - Short 9.00" Length	●	●		
Height Adjustable Removable Armrest - Short 9.00" Length			●	●