

Convoid Flyer

Canadian Retail Price List / Order Form

Account #: _____

Purchase Order #: _____ Date: _____

Contact: _____

Mark For: _____

Bill To:	Ship To:
Address:	Address:
City/State/Zip:	
Phone:	City/State/Zip:
Email:	Phone:

Flyer Base Standard Features:

- CG Tilt-in-Space (-5° to +40°)
- 30° back angle adjustment (80° to 110°)
- Quick Release Rear Wheels
- Single Foot Activated Wheel Lock
- HCPCS code E1161 is only valid on chairs 15" or greater
- Removable Front Riggings with Fixed Angled Footplate (Choose Option Below)
- Flip-up armrests - Long (Standard on FL15 and FL16)
- Choice of 3 Mobility Base colors
- One Piece Push Handle
- Choice of three back cane heights
- Made in the USA

Standard Models:

<input type="checkbox"/> Flyer FL12 - 905088	Price
<input type="checkbox"/> Flyer FL13 - 905089	\$3,757
<input type="checkbox"/> Flyer FL14 - 905090	\$3,757
<input type="checkbox"/> Flyer FL15 - 905091	\$3,757
<input type="checkbox"/> Flyer FL16 - 905092	\$3,757

All prices in CAD

Frame Colors

- Cherry Red
- Royal Blue
- Cosmic Silver
- Plum Purple

Price

- N/C
- N/C
- N/C
- N/C

FL12	FL13	FL14	FL15	FL16
905133	905133	905133	905133	905133
905134	905134	905134	905134	905134
905135	905135	905135	905135	905135
905461	905461	905461	905461	905461

Tire Selection

- 11.5" Rear Tire, 6" x 2" Front Caster (15" Front Seat to Floor Height)

Select One:

- 11.5" Rear Fixed Wheels
- 11.5" Quick Release Rear Wheels

- 16" Rear Tire, 7.5" x 2" Front Caster (17" Front Seat to Floor Height)

Select One:

- 16" Rear Fixed Wheels
- 16" Quick Release Rear Wheels

Price

- N/C
- N/C
- N/C
- N/C
- N/C
- N/C
- N/C

FL12	FL13	FL14	FL15	FL16
905303	905304	905305	905306	905307
905384	905384	905384	905384	905384
905387	905387	905387	905387	905387
905059	905060	905061	905062	905063
905385	905385	905385	905385	905385
905388	905388	905388	905388	905388

Push Handle Option

- One-Piece Height Adjustable Push Handle Option (+- 9" height adjustable from back canes height) (Select One):

- Outside Mount
- Inside Mount

Price

- N/C
- N/C

FL12	FL13	FL14	FL15	FL16
905108	905109	905110	905111	905112
905098	905099	905100	905101	905102

Seat Depth Range Options (see chart on last page of order form)

- Position 1: 11"-15"
- Position 2: 13"-17"
- Position 3: 15"-19"
- Position 4: 17"- 21"

*Seat Depth is reduced by 1 1/2" when used with Solid Back System with Cushions and requires tools.

Price

- N/C
- N/C
- N/C
- N/C

FL12	FL13	FL14	FL15	FL16
905197	905197	905197	905197	905197
905198	905198	905198	905198	905198
905199	905199	905199	905199	905199
905200	905200	905200	905200	905200

Back Options

- Back Cane Fixed Heights* (7/8" diameter)- with Push Handles (Select One):

- Short: 19" - (Supports back height range: 13" - 19")*** (Cannot be used with IV Pole)
- Medium: 22" - (Supports back height range 13" - 22")***
- Tall: 25" - (Supports back height range 13" - 25")***

- Height Adjustable Back Pans (4 Pieces)

- Back Cushions & Cover (Includes Height Adjustable Back Pans) (13" - 25")****

- Cushion Accent Color (cushion is black, color is for piping along sides) Select One:

- Royal Blue
- Forest Green
- Cherry Red
- Sassy Purple
- Princess Pink
- Panther Black
- Chocolate Brown
- Aqua Blue
- Apple Green

***Measured from pan to push handle bend.

****Height Adjustable Solid Back System w/Back Cushion HCPCS code only applies to pediatric sizes 12, 13, and 14.

Price

- N/C
- N/C
- N/C
- \$201
- \$704
- N/C
- N/C
- N/C
- N/C
- N/C
- N/C
- N/C
- N/C
- N/C
- N/C

FL12	FL13	FL14	FL15	FL16
905054	905054	905054	905054	905054
905055	905055	905055	905055	905055
905056	905056	905056	905056	905056
905058	905058	905058	905058	905058
905093	905094	905095	905096	905097
903850	903850	903850	903850	903850
903857	903857	903857	903857	903857
903855	903855	903855	903855	903855
903851	903851	903851	903851	903851
903759	903759	903759	903759	903759
903854	903854	903854	903854	903854
904189	904189	904189	904189	904189
904753	904753	904753	904753	904753
904754	904754	904754	904754	904754

Matrix Back Support Options

- Matrix E2 (FLwidth x 10"h) Color Black Meshtex¹
- Matrix E2 (FLwidth x 12h) Color Black Meshtex¹
- Matrix E2 (FLwidth x 14"h) Color Black Meshtex¹
- Matrix E2 (FLwidth x 16"h) Color Black Meshtex¹
- Matrix E2 (FLwidth x 18"h) Color Black Meshtex¹
- Matrix E2 (FLwidth x 20"h) Color Black Meshtex¹

¹Must be ordered with Back Canes Only option.

Price

- \$818
- \$818
- \$818
- \$818
- \$845
- \$845

FL12	FL13	FL14	FL15	FL16
		E2S1410	E2S1510	E2S1610
		E2S1412	E2S1512	E2S1612
		E2S1414	E2S1514	E2S1614
		E2S1416	E2S1516	E2S1616
		E2S1418	E2S1518	E2S1618
		E2S1420	E2S1520	E2S1620

Matrix Back Support Options - Deep

- MatrX E2 Deep (FLwidth x 10"h) Color Black Meshtex¹
- MatrX E2 Deep (FLwidth x 12"h) Color Black Meshtex¹
- MatrX E2 Deep (FLwidth x 14"h) Color Black Meshtex¹
- MatrX E2 Deep (FLwidth x 16"h) Color Black Meshtex¹
- MatrX E2 Deep (FLwidth x 18"h) Color Black Meshtex¹
- MatrX E2 Deep (FLwidth x 20"h) Color Black Meshtex¹

¹Must be ordered with Back Canes Only option.

Price

- \$989
- \$989
- \$989
- \$989
- \$1,015
- \$1,015

	E2D1410	E2D1510	E2D1610
	E2D1412	E2D1512	E2D1612
	E2D1414	E2D1514	E2D1614
	E2D1416	E2D1516	E2D1616
	E2D1418	E2D1518	E2D1618
	E2D1420	E2D1520	E2D1620

Matrix Back Support Options - Mini

- MatrX Mini ((FLwidth-1)"w x 7"h) Color Kidabra¹
- MatrX Mini ((FLwidth-1)"w x 10"h) Color Kidabra¹
- MatrX Mini ((FLwidth-1)"w x 12"h) Color Kidabra¹
- MatrX Mini ((FLwidth-1)"w x 14"h) Color Kidabra¹
- MatrX Mini ((FLwidth-1)"w x 7"h) Color Pink¹
- MatrX Mini ((FLwidth-1)"w x 10h) Color Pink¹
- MatrX Mini ((FLwidth-1)"w x 12"h) Color Pink¹
- MatrX Mini ((FLwidth-1)"w x 14"h) Color Pink¹
- MatrX Mini ((FLwidth-1)"w x 7"h) Color Blue¹
- MatrX Mini ((FLwidth-1)"w x 10"h) Color Blue¹
- MatrX Mini ((FLwidth-1)"w x 12"h) Color Blue¹
- MatrX Mini ((FLwidth-1)"w x 14"h) Color Blue¹
- MatrX Mini ((FLwidth-1)"w x 7"h) Color Black Startex¹
- MatrX Mini ((FLwidth-1)"w x 10"h) Color Black Startex¹
- MatrX Mini ((FLwidth-1)"w x 12"h) Color Black Startex¹
- MatrX Mini ((FLwidth-1)"w x 14"h) Color Black Startex¹

¹Must be ordered with Back Canes Only option.

Price

- \$818
- \$818
- \$818
- \$818
- \$818
- \$818
- \$818
- \$818
- \$818
- \$818
- \$818
- \$818
- \$818
- \$818
- \$818
- \$818
- \$818
- \$818
- \$818
- \$818

MINI1107-K	MINI1207-K	MINI1307-K	
MINI1110-K	MINI1210-K	MINI1310-K	
MINI1112-K	MINI1212-K	MINI1312-K	
MINI1114-K	MINI1214-K	MINI1314-K	
MINI1107-P	MINI1207-P	MINI1307-P	
MINI1110-P	MINI1210-P	MINI1310-P	
MINI1112-P	MINI1212-P	MINI1312-P	
MINI1114-P	MINI1214-P	MINI1314-P	
MINI1107-B	MINI1207-B	MINI1307-B	
MINI1110-B	MINI1210-B	MINI1310-B	
MINI1112-B	MINI1212-B	MINI1312-B	
MINI1114-B	MINI1214-B	MINI1314-B	
MINI1107-S	MINI1207-S	MINI1307-S	
MINI1110-S	MINI1210-S	MINI1310-S	
MINI1112-S	MINI1212-S	MINI1312-S	
MINI1114-S	MINI1214-S	MINI1314-S	

Seat Options

Select One:

- Planar Seat Cushion (Includes Solid Seat Pan)** (Same Color as Selected Back Cushion)
- Seat Pan: 12"-16" Width, 4" Depth Growth ^^

**Planar Seat Cushion HCPCS code only applies to pediatric sizes 12, 13, and 14.

^^Needed when using other manufacturer's seat cushion.

Price

- \$437
- \$201

FL12	FL13	FL14	FL15	FL16
905083	905084	905085	905086	905087
905057	905057	905057	905057	905057

Matrix Back Support Options - Libra

- MatrX Libra ((FLwidth)"w x 12"d) Color Black Startex²
- MatrX Libra ((FLwidth)"w x 14"d) Color Black Startex²
- MatrX Libra ((FLwidth)"w x 16"d) Color Black Startex²
- MatrX Libra ((FLwidth)"w x 18"d) Color Black Startex²
- MatrX Libra ((FLwidth)"w x 20"d) Color Black Startex²

²Must be ordered with Seat Pan Only option

Price

- \$635
- \$635
- \$635
- \$635
- \$635

FL12	FL13	FL14	FL15	FL16
		LC1412		
		LC1414		
		LC1416	LC1516	LC1616
			LC1518	LC1618
			LC1520	LC1620

Matrix Back Support Options - Vi

- MatrX Kidabra-Vi ((FL width)x12d Color Kidabra²
- MatrX Kidabra-Vi ((FL width)x14d Color Kidabra²
- MatrX-Vi ((FL width)x15d Color Black Meshtex²
- MatrX-Vi ((FL width)x16d Color Black Meshtex²
- MatrX-Vi ((FL width)x17d Color Black Meshtex²
- MatrX-Vi ((FLwidth)x18d Color Black Meshtex²
- MatrX-Vi ((FLwidth)x20d Color Black Meshtex²

²Must be ordered with Seat Pan Only option

Price

- \$556
- \$556
- \$556
- \$556
- \$556
- \$556
- \$556

FL12	FL13	FL14	FL15	FL16
KA1212-Vi		KA1412-Vi		
KA1214-Vi		KA1414-Vi		
		MA1415-Vi		
			MA1616-Vi	MA1616-Vi
		MA1417-Vi		
			MA1618-Vi	MA1618-Vi
			MA1620-Vi	MA1620-Vi

Matrix Back Support Options - PS

- MatrX PS ((FLwidth)"w x 12"d) Color Kidabra²
- MatrX PS ((FLwidth)"w x 14"d) Color Kidabra²
- MatrX PS ((FLwidth)"w x 16"d) Color Kidabra²
- MatrX PS ((FLwidth)"w x 12"d) Color Pink²
- MatrX PS ((FLwidth)"w x 14"d) Color Pink²
- MatrX PS ((FLwidth)"w x 16"d) Color Pink²
- MatrX PS ((FLwidth)"w x 12"d) Color Blue²
- MatrX PS ((FLwidth)"w x 14"d) Color Blue²
- MatrX PS ((FLwidth)"w x 16"d) Color Blue²
- MatrX PS ((FLwidth)"w x 12"d) Black Startex Reversible Cover²
- MatrX PS ((FLwidth)"w x 14"d) Black Startex Reversible Cover²
- MatrX PS ((FLwidth)"w x 16"d) Black Startex Reversible Cover²
- MatrX PS ((FLwidth)"w x 18"d) Black Startex Reversible Cover²
- MatrX PS ((FLwidth)"w x 20"d) Black Startex Reversible Cover²

²Must be ordered with Seat Pan Only option

Price

- \$452
- \$452
- \$452
- \$452
- \$452
- \$452
- \$452
- \$452
- \$452
- \$452
- \$452
- \$452
- \$452
- \$452

FL12	FL13	FL14	FL15	FL16
PS1212-K	PS1312-K	PS1412-K		
PS1214-K	PS1314-K	PS1414-K		
PS1216-K	PS1316-K	PS1416-K		
PS1212-P	PS1312-P	PS1412-P		
PS1214-P	PS1314-P	PS1414-P		
PS1216-P	PS1316-P	PS1416-P		
PS1212-B	PS1312-B	PS1412-B		
PS1214-B	PS1314-B	PS1414-B		
PS1216-B	PS1316-B	PS1416-B		
PS1212	PS1312	PS1412		
PS1214	PS1314	PS1414		
PS1216	PS1316	PS1416	PS1616	PS1616
			PS1618	PS1618
			PS1620	PS1620

Matrix Back Support Options - PSP

- MatrX PSP ((FLwidth)"w x 12"d) Color Kidabra²
- MatrX PSP ((FLwidth)"w x 14"d) Color Kidabra²
- MatrX PSP ((FLwidth)"w x 16"d) Color Kidabra²
- MatrX PSP ((FLwidth)"w x 12"d) Color Pink²
- MatrX PSP ((FLwidth)"w x 14"d) Color Pink²
- MatrX PSP ((FLwidth)"w x 16"d) Color Pink²
- MatrX PSP ((FLwidth)"w x 12"d) Color Blue²
- MatrX PSP ((FLwidth)"w x 14"d) Color Blue²
- MatrX PSP ((FLwidth)"w x 16"d) Color Blue²
- MatrX PSP ((FLwidth)"w x 12"d) Black Startex Reversible Cover²
- MatrX PSP ((FLwidth)"w x 14"d) Black Startex Reversible Cover²
- MatrX PSP ((FLwidth)"w x 16"d) Black Startex Reversible Cover²
- MatrX PSP ((FLwidth)"w x 18"d) Black Startex Reversible Cover²
- MatrX PSP ((FLwidth)"w x 20"d) Black Startex Reversible Cover²

²Must be ordered with Seat Pan Only option.

Price

- \$517
- \$517
- \$517
- \$517
- \$517
- \$517
- \$517
- \$517
- \$517
- \$517
- \$517
- \$517
- \$517
- \$517
- \$517
- \$517
- \$517
- \$517
- \$517
- \$517

FL12	FL13	FL14	FL15	FL16
PSP1212-K	PSP1312-K	PSP1412-K		
PSP1214-K	PSP1314-K	PSP1414-K		
PSP1216-K	PSP1316-K	PSP1416-K		
PSP1212-P	PSP1312-P	PSP1412-P		
PSP1214-P	PSP1314-P	PSP1414-P		
PSP1216-P	PSP1316-P	PSP1416-P		
PSP1212-B	PSP1312-B	PSP1412-B		
PSP1214-B	PSP1314-B	PSP1414-B		
PSP1216-B	PSP1316-B	PSP1416-B		
PSP1212	PSP1312	PSP1412		
PSP1214	PSP1314	PSP1414		
PSP1216	PSP1316	PSP1416	PSP1616	PSP1616
			PSP1618	PSP1618
			PSP1620	PSP1620

Transit

- Transit Option (Manufacturer Installation Required)± ^

±See bottom of order form regarding the specific configuration in which the chair was tested for WC-19.

^Pelvic positioning belt required.

Price

- \$269

FL12	FL13	FL14	FL15	FL16
905082	905082	905082	905082	905082

Transit Options

- Q'Straint Transit Lap Belt
- Sure-Lok Transit Lap Belt

Price

- \$121
- \$121

FL12	FL13	FL14	FL15	FL16
903094	903094	903094	903094	903094
903232	903232	903232	903232	903232

Pelvic Positioning

- 2-Point Pelvic Positioning Belt
- 4-Point Pelvic Positioning Belt by R82 (Camlock Kit and Seat Pan Required)**
 - Hip Width: 6.75" - 12.5" (Size XS)
 - Hip Width: 8.25" - 13.75" (Size S)
 - Hip Width: 9.75" - 16.25" (Size M)
 - Hip Width: 12.5" - 17.25" (Size L)
 - Hip Width: 16.25" - 20.5" (Size XL)
 - Camlock Kit for 4-Point Belt
- Left Width, Height Adj. Lateral Pelvic Support (Hip Guide)**
 - Small - H: 4.5" - 5.5"
 - Large - H: 5.25" - 6.25"
- Right Width, Height Adj. Lateral Pelvic Support (Hip Guide)**
 - Small - H: 4.5" - 5.5"
 - Large - H: 5.25" - 6.25"
- Medial Thigh Support**
 - Medium (2.6" front width, 4.1" depth, 2" back width, 2.7" height)
 - Large (3.3" front width, 5" depth, 2.3" back width, 2.9" height)
 - X-Large (4" front width, 6" depth, 3" back width, 3" height)

Price
\$60
\$180
\$180
\$180
\$180
\$180
N/C
\$161
\$161
\$161
\$161
\$217
\$217
\$217

FL12	FL13	FL14	FL15	FL16
903931	903931	903931	904559	904559
905148	905148	905148	905148	905148
905149	905149	905149	905149	905149
905150	905150	905150	905150	905150
905151	905151	905151	905151	905151
905475	905475	905475	905475	905475
905393	905393	905393	905393	905393
905320	905320	905320	905320	905320
905322	905322	905322	905322	905322
905321	905321	905321	905321	905321
905323	905323	905323	905323	905323
905389	905389	905389	905389	905389
905390	905390	905390	905390	905390
905391	905391	905391	905391	905391

Foot & Leg Positioning

- Front Riggings (Footplates attach to the Front Riggings)**
 - 65° Removable Front Riggings - Short (5" - 11" Seat Pan to Footrest Height)
 - 65° Removable Front Riggings - Long (5" - 13" Seat Pan to Footrest Height)
 - 90° Removable Front Riggings - (5.7" - 11" Seat Pan to Footrest Height)
 - Angle Adjustable Elevating Leg Rest (ELR) - Pair ***
 - Legrest Extension +2" - Pair (ELR Required)
- Footplates**
 - One-Piece Angle Adjustable Footplates (Flip Up and Reversible) (ELR Required)
 - One-Piece Fixed Angle Footplates (Flip-up and Reversible Footplate) (ELR Required)
 - Individual Angle Adjustable Footplates - Pair (Compatible with std fixed front riggings or ELR)
- Foot Positioners (Pair)**
 - Small 7" - 10"
 - Medium 8" - 11"
 - Large 9" - 12"
- Therafin Shoe Holders w/Padded Straps (Pair)**
 - Small
 - Medium
- Fully Padded Footbox (one-piece footplate required)
- Calf Panel
- Padded Elevating Legrest Cover (Pair)

Price
N/C
N/C
N/C
\$335
\$74
\$148
N/C
\$240
\$211
\$211
\$211
\$252
\$252
\$436
\$82
\$21

FL12	FL13	FL14	FL15	FL16
905466	905466	905466	905466	905466
905465	905465	905465	905465	905465
905467	905467	905467	905467	905467
905077	905077	905078	905078	905136
904095	904095	904096	904096	904097
905160	905161	905162	905163	905164
905072	905073	905074	905075	905076
905165	905165	905166	905166	905166
903415	903415	903415	903415	903415
903416	903416	903416	903416	903416
903417	903417	903417	903417	903417
904679	904679	904679	904679	904679
904680	904680	904680	904680	904680
904954	904954	904955	904955	904956
904580	904580	904580	904580	904580
904619	904619	904619	904619	904619

*2" Legrest Extension interferes with caster swivel when seat is in upright position. Seat must be tilted back at least 5° OR Legrests must be elevated to allow caster swivel.
 **Seat to footplate range varies from 5.25" - 18" depending on chair size.
 ***Recommended for full recline.

Trunk Positioning

- Neoprene Vest by R82 (Camlock Kit and Back Pan Required)**
 - LT Shoulder to RT Hip: 7.75" - 10.75" (Size XS)
 - LT Shoulder to RT Hip: 10.75" - 12.5" (Size S)
 - LT Shoulder to RT Hip: 12.5" - 16" (Size M)
 - LT Shoulder to RT Hip: 16" - 18.5" (Size L)
 - LT Shoulder to RT Hip: 18.5" - 20.5" (Size XL)
 - LT Shoulder to RT Hip: 20.5" - 23.5" (Size XXL)
 - Camlock Kit for Vest
- Chest Belt, Upholstered by R82 (Camlock Kit and Back Pan Required)**
 - W: 11.25" x D:7.5" x H: 9.25-12" (Size 1)
 - W: 14" X D: 10.25" X H: 10.25-12.75" (Size 2)
 - W: 16.25" X D: 12.5" X H: 10.25-12.75" (Size 3)
 - W: 20.25" X D: 16" X H: 11.25-14.5" (Size 4)
 - Camlock Kit for Vest
- Cross Vest by R82 (Camlock Kit and Back Pan Required)**
 - LT Shoulder to RT Hip: 7.75" - 12.5" (Size XS)
 - LT Shoulder to RT Hip: 10.25" - 13.5" (Size S)
 - LT Shoulder to RT Hip: 13.5" - 17.75" (Size M)
 - LT Shoulder to RT Hip: 17.75" - 20.75" (Size L)
 - LT Shoulder to RT Hip: 20.75" - 24.5" (Size XL)
 - Camlock Kit for Vest
- Swing-Away Lateral Support Bracket by R82 (Hrdw Req)**
 - Swing-Away Lateral Support Bracket, Right (Ea.)
 - Swing-Away Lateral Support Bracket, Left (Ea.)
- Swing-Away Hardware**
 - Bar, Straight 4/4", Right (Ea.)
 - Bar, Straight 4/4", Left (Ea.)
 - Bar, Offset, 1", Right (Ea.)
 - Bar, Offset, 1", Left (Ea.)
 - Bar, Offset 1 1/4", Right (Ea.)
 - Bar, Offset 1 1/4", Left (Ea.)
 - Bar, Offset 2 1/2", Right (Ea.)
 - Bar, Offset 2 1/2", Left (Ea.)
- Swing-Away Lateral Support Curved Cushion (Ea.)**
 - Curved Cushion 3 1/2" x 7 1/2", Right (Ea.)
 - Curved Cushion 3 1/2" x 7 1/2", Left (Ea.)
 - Curved Cushion 2 1/2" x 6 3/4", Right (Ea.)
 - Curved Cushion 2 1/2" x 6 3/4", Left (Ea.)
 - Curved Cushion 2 1/2" x 6", Right (Ea.)
 - Curved Cushion 2 1/2" x 6", Left (Ea.)
- Swing-Away Lateral Support Standard Cushion (Ea.)**
 - Standard Cushion 4" x 4", Right (Ea.)
 - Standard Cushion 4" x 4", Left (Ea.)
 - Standard Cushion 2 3/4" x 6 1/4", Right (Ea.)
 - Standard Cushion 2 3/4" x 6 1/4", Left (Ea.)
- Protective Cushion for Laterals, Black (Pr.) (Laterals by R82 only)
- 1" Thick Padded Lateral Support Cover (X Small only) (Contoured Laterals only)

Price
\$268
\$268
\$268
\$268
\$268
\$268
N/C
\$363
\$363
\$363
\$363
N/C
\$255
\$255
\$255
\$255
\$255
N/C
\$302
\$302
\$0
\$0
\$0
\$0
\$0
\$0
\$0
\$0
\$140
\$140
\$140
\$140
\$140
\$140
\$140
\$140
\$140
\$140
\$123
\$67

FL12	FL13	FL14	FL15	FL16
905476	905476	905476	905476	905476
905152	905152	905152	905152	905152
905153	905153	905153	905153	905153
905154	905154	905154	905154	905154
905480	905480	905480	905480	905480
905481	905481	905481	905481	905481
905392	905392	905392	905392	905392
905155	905155	905155	905155	905155
905156	905156	905156	905156	905156
905157	905157	905157	905157	905157
905158	905158	905158	905158	905158
905392	905392	905392	905392	905392
905176	905176	905176	905176	905176
905177	905177	905177	905177	905177
905178	905178	905178	905178	905178
905179	905179	905179	905179	905179
905180	905180	905180	905180	905180
905392	905392	905392	905392	905392
905338	905338	905338	905338	905338
905337	905337	905337	905337	905337
905327	905327	905327	905327	905327
905327	905327	905327	905327	905327
905328	905328	905328	905328	905328
905328	905328	905328	905328	905328
905329	905329	905329	905329	905329
905329	905329	905329	905329	905329
905330	905330	905330	905330	905330
905330	905330	905330	905330	905330
905331	905331	905331	905331	905331
905331	905331	905331	905331	905331
905332	905332	905332	905332	905332
905332	905332	905332	905332	905332
905333	905333	905333	905333	905333
905333	905333	905333	905333	905333
905334	905334	905334	905334	905334
905334	905334	905334	905334	905334
905335	905335	905335	905335	905335
905335	905335	905335	905335	905335
905336	905336	905336	905336	905336
905411	905411	905411	905411	905411

*Pad Size.
 ^Depth of Laterals is reduced by 1.5" with back upholstery.
 **Requires height adjustable solid back system.

Matrix Trunk Positioning Options

<input type="checkbox"/>	Matrix MiniFlex Abdominal Support - XS (4.5" high x 13.5" to 19" long) ³	Price	
<input type="checkbox"/>	Matrix MiniFlex Abdominal Support - S (6" high x 13.5" to 19" long) ³		\$242
<input type="checkbox"/>	Matrix PostureFlex - M (6.5" high x 16" to 23" long) ³		\$321
<input type="checkbox"/>	Matrix E2 Fixed Laterals (pr) - 6.5" high x 5" deep compatible with E2S back ³		\$380
<input type="checkbox"/>	Matrix Mini Fixed Laterals (ea) - 4.5" high x 3" deep compatible with Mini back ³		\$111
<input type="checkbox"/>	Matrix Mini Swingaway Lateral with X Small pad (ea) ³		\$439
<input type="checkbox"/>	Matrix Mini Swingaway Lateral with Small pad (ea) ³		\$439
<input type="checkbox"/>	Matrix E2 Swingaway Lateral with Med pad (ea) ³		\$439
<input type="checkbox"/>	Matrix E2 Swingaway Lateral with Large pad (ea) ³		\$439
<input type="checkbox"/>	Matrix Mini Chest harness Int.compatible with Mini back ³		\$98
<input type="checkbox"/>	Matrix E2 Chest Harness Int. Fits 14" and 15" wide E2 backs ³		\$98
<input type="checkbox"/>	Matrix E2 Chest Harness Int. Fits 16" wide E2 backs ³		\$98
<input type="checkbox"/>	E2 Backbone PSIS/Lumbar Support ³		\$72

³Must be ordered with Matrix Back Support option.

Head Supports

<input type="checkbox"/>	Adjustable Wing Head Support****	Price	
			\$356
	Anatomic Headrest with Cover by R82 (Requires Headrest Universal Mount & Swing-away Mounting Bracket)		
<input type="checkbox"/>	Small		\$342
<input type="checkbox"/>	Medium		\$342
	R82 Adjustable Width Headrest, Dynamic - Long (Requires Headrest Universal Mount & Swing-away Mounting Bracket)		
<input type="checkbox"/>	Adjustable Width Headrest Large Laterals w/Speakers, Dynamic, Black Cover - Long		\$645
<input type="checkbox"/>	Adjustable Width Headrest, Large Laterals, Dynamic, Black Cover - Long		\$517
<input type="checkbox"/>	Adjustable Width Headrest Two Laterals, Dynamic, Black Cover - Long		\$517
<input type="checkbox"/>	Adjustable Width Headrest Four Laterals, Dynamic, Black Cover - Long		\$517
	R82 Adjustable Width Headrest, Dynamic - Short (Requires Headrest Universal Mount & Swing-away Mounting Bracket)		
<input type="checkbox"/>	Adjustable Width Headrest Large Laterals w/Speakers, Dynamic, Black Cover - Short		\$645
<input type="checkbox"/>	Adjustable Width Headrest, Large Laterals, Dynamic, Black Cover - Short		\$517
<input type="checkbox"/>	Adjustable Width Headrest Two Laterals, Dynamic, Black Cover - Short		\$517
<input type="checkbox"/>	Adjustable Width Headrest Four Laterals, Dynamic, Black Cover - Short		\$517
	R82 Adjustable Width Headrest, Non-Dynamic - Long (Requires Headrest Universal Mount & Swing-away Mounting Bracket)		
<input type="checkbox"/>	Adjustable Width Headrest Large Laterals w/Speakers, Non-Dynamic, Black Cover - Long		\$543
<input type="checkbox"/>	Adjustable Width Headrest, Large Laterals, Non-Dynamic, Black Cover - Long		\$409
<input type="checkbox"/>	Adjustable Width Headrest Two Laterals, Non-Dynamic, Black Cover - Long		\$409
<input type="checkbox"/>	Adjustable Width Headrest Four Laterals, Non-Dynamic, Black Cover - Long		\$409
	R82 Adjustable Width Headrest, Non-Dynamic - Short (Requires Headrest Universal Mount & Swing-away Mounting Bracket)		
<input type="checkbox"/>	Adjustable Width Headrest Large Laterals w/Speakers, Non-Dynamic, Black Cover - Short		\$543
<input type="checkbox"/>	Adjustable Width Headrest, Large Laterals, Non-Dynamic, Black Cover - Short		\$409
<input type="checkbox"/>	Adjustable Width Headrest Two Laterals, Non-Dynamic, Black Cover - Short		\$409
<input type="checkbox"/>	Adjustable Width Headrest Four Laterals, Non-Dynamic, Black Cover - Short		\$409
	Swing-Away Mounting Bracket - Height, Depth, Angle & Lateral Adjustable by R82 (Required for R82 head supports) (Select One):		
<input type="checkbox"/>	Turtle Neck Bar System, Short		\$309
<input type="checkbox"/>	Turtle Neck Bar System, Long		\$309
<input type="checkbox"/>	Headrest Universal Mount (Accommodates most manufacturer's head supports)****		\$74

****Requires the Height Adjustable Solid Back System.

Matrix Headrest Options

<input type="checkbox"/>	Matrix Standard 6" Pad Startex fabric cover ^v	Price	
<input type="checkbox"/>	Matrix Standard 10" Pad Startex fabric cover ^v		\$308
<input type="checkbox"/>	Matrix Standard 14" Pad Startex fabric cover ^v		\$308
<input type="checkbox"/>	Matrix 4Point Pad - S Startex fabric cover ^v		\$426
<input type="checkbox"/>	Matrix Elan hrdrwr 15" vertical post ^v		\$295
<input type="checkbox"/>	Matrix Elan hrdrwr 11" vertical post ^v		\$295
<input type="checkbox"/>	Matrix Loxx hardware 15" vertical post ^v		\$282
<input type="checkbox"/>	Matrix Loxx hardware 11" vertical post ^v		\$282

^vRequires Matrix Back Support.

Frame Options

	Recline System (80 to 170 degrees) (Manufacturer installation required)	Price	
<input type="checkbox"/>	Recline on Flyer 12, 13, 14		\$644
<input type="checkbox"/>	Recline on Flyer 15 and 16±		\$644
	Flip-up, Height Adjustable, Armrest - Pair (Select option for sizes 12, 13, or 14)*		
<input type="checkbox"/>	Height adjustable Flip-Up Armrests (pair) - Short 8.34" Length		\$306
<input type="checkbox"/>	Height adjustable Flip-Up Armrests (pair) - Short 8.34" Length		\$0
<input type="checkbox"/>	Height adjustable Flip-Up Armrests (pair) - Long 11.34" Length		\$306
<input type="checkbox"/>	Height adjustable Flip-Up Armrests (pair) - Long 11.34" Length		\$0
	Removable Adjustable, Armrest - Pair		
<input type="checkbox"/>	Height Adjustable Removable Armrests (pair) - Short 9.00" Length		\$390
<input type="checkbox"/>	Height Adjustable Removable Armrests (pair) - Long 11.00" Length		\$390

± For FL15 and FL16, use HCPCS code E1225.

*Flip-up armrest is standard on sizes 15 and 16.

Medical Support Accessories

<input type="checkbox"/>	IV Pole (height adjustable and collapsible)**	Price	
<input type="checkbox"/>	O2 Tank Holder*		\$201
<input type="checkbox"/>	LTV Ventilator Holder		\$235
<input type="checkbox"/>	Ventilator/Suction/Hard Tray (H:2.6", L: 13.1", W: Seat Width+1.4")		\$604
	*Requires Rear Anti-Tip Tubes.		
	*Cannot be used during transit.		
	**Required with medium or tall back canes.		

Accessories

	Headrest Cover Options (Canopy)	Price	
<input type="checkbox"/>	Headrest Cover (Canopy) ⁹		\$298
<input type="checkbox"/>	Extended Headrest Cover - No Windows (Canopy) ⁹		\$336
<input type="checkbox"/>	Extended Headrest Cover - with Windows (Canopy) ⁹		\$397
<input type="checkbox"/>	Upper Extremity Support Tray (Removable Armrests) Size 1		\$214
<input type="checkbox"/>	Upper Extremity Support Tray (Removable Armrests) Size 2		\$214
<input type="checkbox"/>	Upper Extremity Support Tray (Removable Armrests) Size 3		\$214
<input type="checkbox"/>	Adj. Removable Hardware (Required for Clear Tray) (Removable Armrests)		\$248
<input type="checkbox"/>	Curb Tipper		\$131
<input type="checkbox"/>	Caster Locks (Manufacturer Installation Required) (ELR recommended to avoid caster & front rigging interference)		\$126
<input type="checkbox"/>	Rear Anti-Tip Tubes		\$155
<input type="checkbox"/>	Under Seat Storage Basket		\$161
<input type="checkbox"/>	Medical Necessity Storage Basket		\$396

**Cannot be used during transit.

⁹Armrests required for sizes 12, 13, and 14. Armrest is standard on sizes 15 & 16.

⁹IV Pole & Canopy Cannot be used simultaneously.

FL12	FL13	FL14	FL15	FL16
MINIFLEX-XS	MINIFLEX-XS	MINIFLEX-XS		
MINIFLEX-S	MINIFLEX-S	MINIFLEX-S		
		PFLEX-M	PFLEX-M	PFLEX-M
E2FL	E2FL	E2FL	E2FL	E2FL
MINILAT	MINILAT	MINILAT	MINILAT	MINILAT
SAHMINI-XS	SAHMINI-XS	SAHMINI-XS	SAHMINI-XS	SAHMINI-XS
SAHMINI-S	SAHMINI-S	SAHMINI-S	SAHMINI-S	SAHMINI-S
		SAHEB-M	SAHEB-M	SAHEB-M
		SAHEB-L	SAHEB-L	SAHEB-L
CHIMB	CHIMB	CHIMB		
		E2CHI-S	E2CHI-S	
				E2CHI-M
		E2BKB	E2BKB	E2BKB

FL12	FL13	FL14	FL15	FL16
904608	904608	904608	904608	904608
904950	904950	904950	904950	904950
904951	904951	904951	904951	904951
905282	905282	905282	905282	905282
905173	905173	905173	905173	905173
905288	905288	905288	905288	905288
905174	905174	905174	905174	905174
905284	905284	905284	905284	905284
905286	905286	905286	905286	905286
905175	905175	905175	905175	905175
905290	905290	905290	905290	905290
905281	905281	905281	905281	905281
905170	905170	905170	905170	905170
905289	905289	905289	905289	905289
905291	905291	905291	905291	905291
905285	905285	905285	905285	905285
905287	905287	905287	905287	905287
905172	905172	905172	905172	905172
905171	905171	905171	905171	905171
904948	904948	904948	904948	904948
904947	904947	904947	904947	904947
904946	904946	904946	904946	904946

FL12	FL13	FL14	FL15	FL16
ESP6	ESP6	ESP6	ESP6	ESP6
ESP10	ESP10	ESP10	ESP10	ESP10
ESP14	ESP14	ESP14	ESP14	ESP14
E4PTSM	E4PTSM	E4PTSM	E4PTSM	E4PTSM
MEHW	MEHW	MEHW	MEHW	MEHW
MEMH	MEMH	MEMH	MEMH	MEMH
LXSHW	LXSHW	LXSHW	LXSHW	LXSHW
LXMMH	LXMMH	LXMMH	LXMMH	LXMMH

FL12	FL13	FL14	FL15	FL16
905185	905185	905185		
			905186	905186
905167	905167	905167		
			905324	905324
905168	905168	905168		
			905325	905325
905396	905396	905396	905396	905396
905397	905397	905397	905397	905397

FL12	FL13	FL14	FL15	FL16
904566	904566	904566	904566	904566
905070	905070	905070	905070	905070
905071	905071	905071	905071	905071
905079	905079	905079	905079	905079

FL12	FL13	FL14	FL15	FL16
902679	902679	902659	902659	903152
904729	904729	904730	904730	904731
904745	904745	904746	904746	904747
905398	905398	905398		
	905399	905399	905399	
		905400	905400	905400
905401	905401	905401	905401	905401
905365	905365	905365	905365	905365
904650	904650	904650	904650	904650
905069	905069	905069	905069	905069
905195	905195	905196	905196	905196
905274	905274	905275	905275	905275

	<u>Customs*</u>	<u>Price</u>	<u>FL12</u>	<u>FL13</u>	<u>FL14</u>	<u>FL15</u>	<u>FL16</u>
<input type="checkbox"/> Two Piece Push Handle *30 Day Standard Delivery.		<u>N/C</u>	905311	905311	905311	905311	905311

***The Flyer Transit option includes four manufacturer installed black wheelchair transportation anchors. The Flyer Transit model has been crash tested and conforms to RESNA WC19 standards.

The Convoid Flyer Mobility Base was tested with the Flyer Seating Module equipped with a head support and wheelchair anchored pelvic lap belt. The performance and safety of accessories and/or other seating options not tested by Convoid is unknown, and no warranty or claim about their performance is or can being made.

Transit and Non Transit weight capacity: Back Cane Position 1: 85 lbs/39 kg and Back Cane Position 2-4: 145 lbs/66 kg.

Furthermore, when being transported in a vehicle it is Convoid's position that the wheelchair user transfer from the wheelchair into appropriate vehicle seating during transportation. Please note that at this time, the Department of Transportation has not officially approved any tie-down system for a user while in a wheelchair, therefore Convoid cannot recommend a transit system.

For more information on RESNA WC-19 and WC-20 standards please visit <http://www.ercwts.pitt.edu/WC19.html>.

HCPCS codes are provided for your convenience and are NOT to be considered billing or legal advice. Providers are responsible for insuring that appropriate billing codes are used when submitting claims. Proper use of HCPCS codes does not insure coverage or payment. Contact the appropriate payer for coverage information.

Standard Shipping Rates: Ground \$69 • For expedited shipping rates, please call 1-844-876-6245

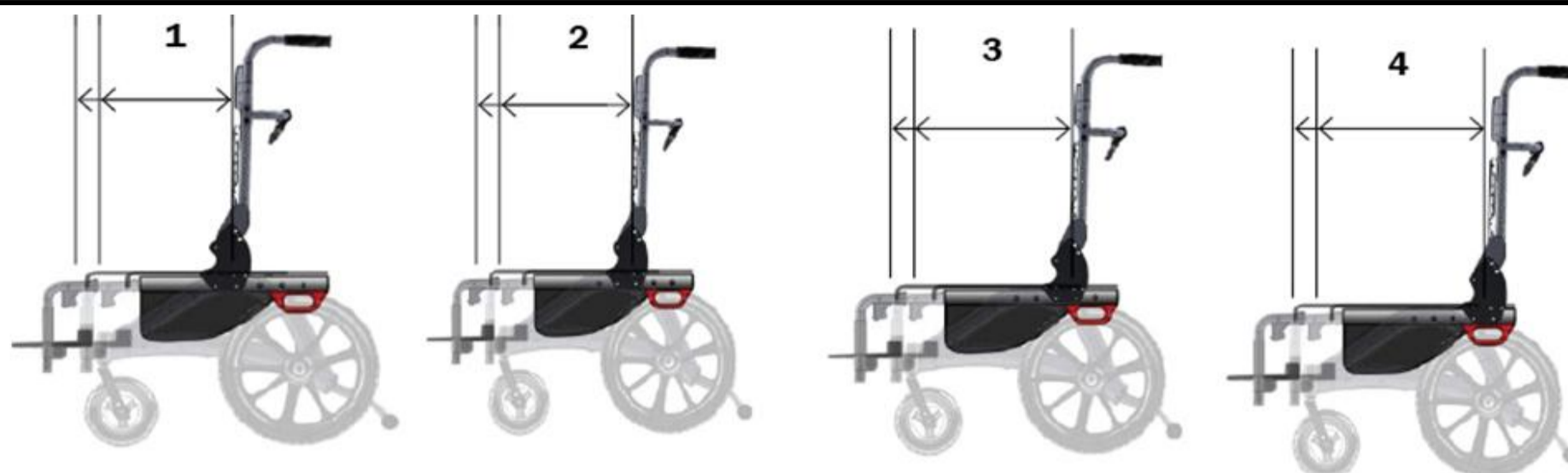
Prices in CAD & subject to change, ex works Torrance, California.

Effective: 9/1/2021

Convoid
2830 California Street
Torrance, CA 90503
1 844-US-MOBILITY (844-876-6245)
www.etac.us.com



Seat Depth Adjustable Positions:



Position Option	1	2	3	4
Seating System Seat Depth Adjustment Range				
Back Canes	11" – 15"	13" – 17"	15" – 19"	17" – 21"
Solid Back*	9.5" – 13.5"	11.5" 15.5"	13.5" – 17.5"	15.5" – 19.5"

*Seat Depth is reduced by 1 1/2" when used with solid back seating system

Footplate Dimensions:

Seat to Footplate Dimensions	Mounting	12" Flyer	13" Flyer	14" Flyer	15" Flyer	16" Flyer
One-Piece Angle Adjustable Footplates	Flip-Up	9in-14in	9in-14in	11in-16in	11in-16in	13in-18in
	Reversible	5.25in-11.25in	5.25in-11.25in	7.25in-13.25in	7.25in-13.25in	9.25in-15.25in
One-Piece Fixed Angle Footplates	Flip-Up	9in-14in	9in-14in	11in-16in	11in-16in	13in-18in
	Reversible	5.25in-11.25in	5.25in-11.25in	7.25in-13.25in	7.25in-13.25in	9.25in-15.25in
Individual Angle Adjustable Footplates - Pair	Flip-Up	7in-13in	7in-13in	9.5in-15.5in	9.5in-15.5in	12in-18in
	Reversible	4.5in-9.25in	4.25in-11in	4.25in-11in	4.25-11in	7.25in-13.25in

Height Adjustable Removable Armrest Length:

Recommended Height Adjustable Removable Armrest Length per Seat Depth Position				
	Seat Depth Position 1	Seat Depth Position 2	Seat Depth Position 3	Seat Depth Position 4
Height Adjustable Removable Armrest - Short 9.00" Length	●	●		
Height Adjustable Removable Armrest - Short 9.00" Length			●	●